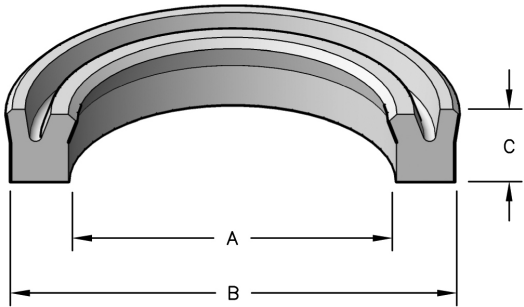


STYLE MRU ROD U-SEALS

Molded in a tough urethane, this rod u-seal fits tightly in the groove while providing increased radial force on the rod.

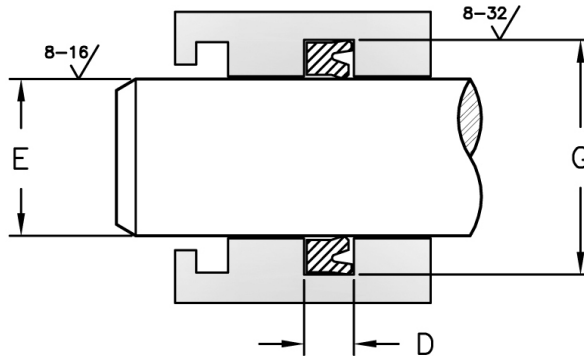


HERCULES PART NUMBERS

MRU - 6 x 14 x 5.7-E
 Type of Seal Inside Diameter Outside Diameter Height

NOTE: E = European Urethane
 ME = Merkel Equivalent
 GT = Green Tweed Equivalent
 A = Alternative Supplier

SEAL INFORMATION	
MATERIAL	URETHANE
TEMPERATURE RANGE	-65° TO +230° F E: -22° TO +212° F
PRESSURE RANGE	0 TO 5,000 PSI
SPEED	3 FT/SEC



Part Number	A Nom. ID	B Nom. OD	C Nom. Ht	D GROOVE WIDTH	E ROD DIAMETER	G HOUSING DIAMETER	List Price
MRU-6X14X5.7-E	6	14	5.7	6.50 +0.30 +0.00	6.00 -0.010 -0.028	14.00 +0.07 +0.00	\$ 4.90
MRU-10X18X5.7-ME	10	18	5.7	6.30 +0.20 +0.00	10.00 -0.013 -0.035	18.00 +0.11 +0.00	7.02
MRU-12X20X5.7-E	12	20	5.7	6.50 +0.30 +0.00	12.00 -0.016 -0.043	20.00 +0.084 +0.000	5.41
MRU-12X20X5.7-ME	12	20	5.7	6.30 +0.20 +0.00	12.00 -0.016 -0.043	20.00 +0.13 +0.00	7.15
MRU-14X22X5.7-ME	14	22	5.7	6.50 +0.30 +0.00	14.00 -0.016 -0.043	22.00 +0.13 +0.00	8.26
MRU-15X25X10	15	25	10	11.00 +0.30 +0.00	15.00 -0.016 -0.043	25.00 +0.084 +0.000	9.26
MRU-16X24X5.7-ME	16	24	5.7	6.50 +0.30 +0.00	16.00 -0.016 -0.043	24.00 +0.13 +0.00	8.26
MRU-18X24X4.5-E	18	24	4.5	5.00 +0.30 +0.00	18.00 -0.016 -0.043	24.00 +0.084 +0.000	5.24
MRU-18X26X5.7-E	18	26	5.7	6.50 +0.30 +0.00	18.00 -0.016 -0.043	26.00 +0.084 +0.000	6.21
MRU-18X26X5.7-ME	18	26	5.7	6.30 +0.20 +0.00	18.00 -0.016 -0.043	26.00 +0.13 +0.00	7.55
MRU-18X28X7.3-ME	18	28	7.3	8.00 +0.20 +0.00	18.00 -0.016 -0.043	28.00 +0.13 +0.00	7.55
MRU-18X28X8-E	18	28	8	9.00 +0.30 +0.00	18.00 -0.016 -0.043	28.00 +0.084 +0.000	6.53
MRU-20X28X5.7	20	28	5.7	6.50 +0.30 +0.00	20.00 -0.020 -0.053	28.00 +0.084 +0.000	14.10
MRU-20X28X5.7-ME	20	28	5.7	6.30 +0.20 +0.00	20.00 -0.020 -0.053	28.00 +0.13 +0.00	6.88
MRU-20X30X7.3-ME	20	30	7.3	8.00 +0.20 +0.00	20.00 -0.020 -0.053	30.00 +0.13 +0.00	7.55
MRU-20X30X8	20	30	8	9.00 +0.30 +0.00	20.00 -0.020 -0.053	30.00 +0.084 +0.000	9.89

STYLE MRU ROD U-SEALS

ROD U-SEALS

Part Number	A Nom. ID	B Nom. OD	C Nom. Ht	D GROOVE WIDTH	E ROD DIAMETER	G HOUSING DIAMETER	List Price
MRU-20X35X10-E	20	35	10	11.00 ^{+0.30} / _{+0.00}	20.00 ^{-0.020} / _{-0.053}	35.00 ^{+0.10} / _{+0.00}	6.53
MRU-22X30X5.7-E	22	30	5.7	6.50 ^{+0.30} / _{+0.00}	22.00 ^{-0.020} / _{-0.053}	30.00 ^{+0.084} / _{+0.000}	6.53
MRU-22X30X5.7-ME	22	30	5.7	6.30 ^{+0.20} / _{+0.00}	22.00 ^{-0.020} / _{-0.053}	30.00 ^{+0.13} / _{+0.00}	6.88
MRU-22X32X7.3-ME	22	32	7.3	8.00 ^{+0.20} / _{+0.00}	22.00 ^{-0.020} / _{-0.053}	32.00 ^{+0.16} / _{+0.00}	8.46
MRU-25X31X5-B3	25	31	5	5.60 ^{+0.25} / _{+0.00}	25.00 ^{-0.020} / _{-0.041}	31.00 ^{+0.062} / _{+0.000}	13.66
MRU-25X33X5	25	33	5	5.70 ^{+0.30} / _{+0.00}	25.00 ^{-0.020} / _{-0.053}	33.00 ^{+0.10} / _{+0.00}	7.75
MRU-25X33X5.7	25	33	5.7	6.50 ^{+0.30} / _{+0.00}	25.00 ^{-0.020} / _{-0.053}	33.00 ^{+0.10} / _{+0.00}	11.41
MRU-25X33X5.7-ME	25	33	5.7	6.30 ^{+0.20} / _{+0.00}	25.00 ^{-0.020} / _{-0.053}	33.00 ^{+0.16} / _{+0.00}	7.72
MRU-25X33X6.3-E	25	33	6.3	7.00 ^{+0.30} / _{+0.00}	25.00 ^{-0.020} / _{-0.053}	33.00 ^{+0.10} / _{+0.00}	6.53
MRU-25X33X10-E	25	33	10	11.00 ^{+0.30} / _{+0.00}	25.00 ^{-0.020} / _{-0.053}	33.00 ^{+0.10} / _{+0.00}	6.53
MRU-25X35X5	25	35	5	5.70 ^{+0.30} / _{+0.00}	25.00 ^{-0.020} / _{-0.053}	35.00 ^{+0.10} / _{+0.00}	11.94
MRU-25X35X6	25	35	6	6.50 ^{+0.30} / _{+0.00}	25.00 ^{-0.020} / _{-0.053}	35.00 ^{+0.10} / _{+0.00}	11.18
MRU-25X35X7.2-E	25	35	7.2	8.00 ^{+0.30} / _{+0.00}	25.00 ^{-0.020} / _{-0.053}	35.00 ^{+0.10} / _{+0.00}	7.02
MRU-25X35X7.3-ME	25	35	7.3	8.00 ^{+0.20} / _{+0.00}	25.00 ^{-0.020} / _{-0.053}	35.00 ^{+0.16} / _{+0.00}	8.46
MRU-25X35X8	25	35	8	9.00 ^{+0.30} / _{+0.00}	25.00 ^{-0.020} / _{-0.053}	35.00 ^{+0.10} / _{+0.00}	9.89
MRU-25X35X10-E	25	35	10	11.00 ^{+0.30} / _{+0.00}	25.00 ^{-0.020} / _{-0.053}	35.00 ^{+0.10} / _{+0.00}	7.02
MRU-25X40X10-E	25	40	10	11.00 ^{+0.30} / _{+0.00}	25.00 ^{-0.020} / _{-0.053}	40.00 ^{+0.10} / _{+0.00}	7.68
MRU-28X36X5.7-ME	28	36	5.7	6.30 ^{+0.20} / _{+0.00}	28.00 ^{-0.020} / _{-0.053}	36.00 ^{+0.16} / _{+0.00}	8.06
MRU-28X38X7.3	28	38	7.3	8.00 ^{+0.30} / _{+0.00}	28.00 ^{-0.020} / _{-0.053}	38.00 ^{+0.10} / _{+0.00}	10.84
MRU-28X38X7.3-ME	28	38	7.3	8.00 ^{+0.20} / _{+0.00}	28.00 ^{-0.020} / _{-0.053}	38.00 ^{+0.16} / _{+0.00}	8.86
MRU-30X38X5.7-E	30	38	5.7	6.50 ^{+0.30} / _{+0.00}	30.00 ^{-0.020} / _{-0.053}	38.00 ^{+0.10} / _{+0.00}	7.18
MRU-30X38X5.7-ME	30	38	5.7	6.30 ^{+0.20} / _{+0.00}	30.00 ^{-0.020} / _{-0.053}	38.00 ^{+0.16} / _{+0.00}	8.06
MRU-30X38X8-E	30	38	8	9.00 ^{+0.30} / _{+0.00}	30.00 ^{-0.020} / _{-0.053}	38.00 ^{+0.10} / _{+0.00}	7.18
MRU-30X38X8.2-ME	30	38	8.2	9.00 ^{+0.20} / _{+0.00}	30.00 ^{-0.020} / _{-0.053}	38.00 ^{+0.16} / _{+0.00}	8.86
MRU-30X40X6	30	40	6	6.50 ^{+0.30} / _{+0.00}	30.00 ^{-0.020} / _{-0.053}	40.00 ^{+0.10} / _{+0.00}	8.10
MRU-30X40X7	30	40	7	8.00 ^{+0.30} / _{+0.00}	30.00 ^{-0.020} / _{-0.053}	40.00 ^{+0.10} / _{+0.00}	10.32
MRU-30X40X7.3	30	40	7.3	8.00 ^{+0.30} / _{+0.00}	30.00 ^{-0.020} / _{-0.053}	40.00 ^{+0.10} / _{+0.00}	9.82
MRU-30X40X8	30	40	8	9.00 ^{+0.30} / _{+0.00}	30.00 ^{-0.020} / _{-0.053}	40.00 ^{+0.10} / _{+0.00}	11.93
MRU-30X40X10-E	30	40	10	11.00 ^{+0.30} / _{+0.00}	30.00 ^{-0.020} / _{-0.053}	40.00 ^{+0.10} / _{+0.00}	9.31
MRU-30X40X10-ME	30	40	10	11.00 ^{+0.20} / _{+0.00}	30.00 ^{-0.020} / _{-0.053}	40.00 ^{+0.16} / _{+0.00}	8.06
MRU-30X43X9-E	30	43	9	10.00 ^{+0.30} / _{+0.00}	30.00 ^{-0.020} / _{-0.053}	43.00 ^{+0.10} / _{+0.00}	8.18
MRU-30X43X10	30	43	10	11.00 ^{+0.30} / _{+0.00}	30.00 ^{-0.020} / _{-0.053}	43.00 ^{+0.10} / _{+0.00}	10.32
MRU-30X43X10-HT	30	43	10	11.00 ^{+0.30} / _{+0.00}	30.00 ^{-0.020} / _{-0.053}	43.00 ^{+0.10} / _{+0.00}	34.65

STYLE MRU ROD U-SEALS

ROD U-SEALS

Part Number	A Nom. ID	B Nom. OD	C Nom. Ht	D GROOVE WIDTH	E ROD DIAMETER	G HOUSING DIAMETER	List Price
MRU-30X46X9	30	46	9	10.00 ^{+0.30} / _{+0.00}	30.00 ^{-0.020} / _{-0.053}	46.00 ^{+0.10} / _{+0.00}	14.05
MRU-32X40X5.7-ME	32	40	5.7	6.30 ^{+0.20} / _{+0.00}	32.00 ^{-0.025} / _{-0.064}	40.00 ^{+0.16} / _{+0.00}	8.06
MRU-32X40X8-E	32	40	8	9.00 ^{+0.30} / _{+0.00}	32.00 ^{-0.025} / _{-0.064}	40.00 ^{+0.10} / _{+0.00}	7.86
MRU-32X42X6	32	42	6	6.50 ^{+0.30} / _{+0.00}	32.00 ^{-0.025} / _{-0.064}	42.00 ^{+0.10} / _{+0.00}	16.65
MRU-32X42X7.2-E	32	42	7.2	8.00 ^{+0.30} / _{+0.00}	32.00 ^{-0.025} / _{-0.064}	42.00 ^{+0.10} / _{+0.00}	7.86
MRU-32X42X7.3-ME	32	42	7.3	8.00 ^{+0.20} / _{+0.00}	32.00 ^{-0.02} / _{-0.06}	42.00 ^{+0.06} / _{+0.00}	12.04
MRU-32X45X9.5-E	32	45	9.5	10.50 ^{+0.30} / _{+0.00}	32.00 ^{-0.025} / _{-0.064}	45.00 ^{+0.10} / _{+0.00}	9.31
MRU-32X47X10-E	32	47	10	11.00 ^{+0.30} / _{+0.00}	32.00 ^{-0.025} / _{-0.064}	47.00 ^{+0.10} / _{+0.00}	9.01
MRU-32X47X10-ME	32	47	10	11.00 ^{+0.20} / _{+0.00}	32.00 ^{-0.025} / _{-0.064}	47.00 ^{+0.16} / _{+0.00}	9.64
MRU-33X43X10-E	33	43	10	11.00 ^{+0.30} / _{+0.00}	33.00 ^{-0.025} / _{-0.064}	43.00 ^{+0.10} / _{+0.00}	9.47
MRU-35X43X5.7-E	35	43	5.7	6.50 ^{+0.30} / _{+0.00}	35.00 ^{-0.025} / _{-0.064}	43.00 ^{+0.10} / _{+0.00}	9.47
MRU-35X43X5.7-ME	35	43	5.7	6.30 ^{+0.20} / _{+0.00}	35.00 ^{-0.025} / _{-0.064}	43.00 ^{+0.16} / _{+0.00}	9.19
MRU-35X43X8-E	35	43	8	9.00 ^{+0.30} / _{+0.00}	35.00 ^{-0.025} / _{-0.064}	43.00 ^{+0.10} / _{+0.00}	9.47
MRU-35X45X6	35	45	6	6.50 ^{+0.30} / _{+0.00}	35.00 ^{-0.025} / _{-0.064}	45.00 ^{+0.10} / _{+0.00}	12.25
MRU-35X45X6-A	35	45	6	6.50 ^{+0.30} / _{+0.00}	35.00 ^{-0.025} / _{-0.064}	45.00 ^{+0.10} / _{+0.00}	2.55
MRU-35X45X6.3	35	45	6.3	7.00 ^{+0.30} / _{+0.00}	35.00 ^{-0.025} / _{-0.064}	45.00 ^{+0.10} / _{+0.00}	12.25
MRU-35X45X7	35	45	7	8.00 ^{+0.30} / _{+0.00}	35.00 ^{-0.025} / _{-0.064}	45.00 ^{+0.10} / _{+0.00}	8.57
MRU-35X45X7.3	35	45	7.3	8.00 ^{+0.30} / _{+0.00}	35.00 ^{-0.025} / _{-0.064}	45.00 ^{+0.10} / _{+0.00}	18.96
MRU-35X45X10-ME	35	45	10	11.00 ^{+0.20} / _{+0.00}	35.00 ^{-0.025} / _{-0.064}	45.00 ^{+0.16} / _{+0.00}	10.58
MRU-35X51X9	35	51	9	10.00 ^{+0.30} / _{+0.00}	35.00 ^{-0.025} / _{-0.064}	51.00 ^{+0.12} / _{+0.00}	13.52
MRU-36X44X5.7-ME	36	44	5.7	6.50 ^{+0.30} / _{+0.00}	36.00 ^{-0.025} / _{-0.064}	44.00 ^{+0.10} / _{+0.00}	10.69
MRU-36X44X8.2-ME	36	44	8.2	9.00 ^{+0.20} / _{+0.00}	36.00 ^{-0.025} / _{-0.064}	44.00 ^{+0.16} / _{+0.00}	8.36
MRU-36X46X7-E	36	46	7	8.00 ^{+0.30} / _{+0.00}	36.00 ^{-0.025} / _{-0.064}	46.00 ^{+0.10} / _{+0.00}	9.01
MRU-36X46X7.3-ME	36	46	7.3	8.00 ^{+0.20} / _{+0.00}	36.00 ^{-0.025} / _{-0.064}	46.00 ^{+0.16} / _{+0.00}	9.64
MRU-36X51X10-E	36	51	10	11.00 ^{+0.30} / _{+0.00}	36.00 ^{-0.025} / _{-0.064}	51.00 ^{+0.12} / _{+0.00}	10.00
MRU-40X48X5	40	48	5	5.70 ^{+0.30} / _{+0.00}	40.00 ^{-0.025} / _{-0.064}	48.00 ^{+0.10} / _{+0.00}	19.58
MRU-40X48X5.7-E	40	48	5.7	6.50 ^{+0.30} / _{+0.00}	40.00 ^{-0.025} / _{-0.064}	48.00 ^{+0.10} / _{+0.00}	10.00
MRU-40X48X5.7-ME	40	48	5.7	6.30 ^{+0.20} / _{+0.00}	40.00 ^{-0.025} / _{-0.064}	48.00 ^{+0.16} / _{+0.00}	8.78
MRU-40X48X5.8-E	40	48	5.8	6.80 ^{+0.20} / _{+0.00}	40.00 ^{-0.025} / _{-0.064}	48.00 ^{+0.16} / _{+0.00}	3.82
MRU-40X48X8.2-ME	40	48	8.2	9.00 ^{+0.20} / _{+0.00}	40.00 ^{-0.025} / _{-0.064}	48.00 ^{+0.16} / _{+0.00}	9.64
MRU-40X50X6	40	50	6	6.50 ^{+0.30} / _{+0.00}	40.00 ^{-0.025} / _{-0.064}	50.00 ^{+0.10} / _{+0.00}	13.42
MRU-40X50X7.3	40	50	7.3	8.00 ^{+0.30} / _{+0.00}	40.00 ^{-0.025} / _{-0.064}	50.00 ^{+0.10} / _{+0.00}	14.19
MRU-40X50X7.3-ME	40	50	7.3	8.00 ^{+0.20} / _{+0.00}	40.00 ^{-0.025} / _{-0.064}	50.00 ^{+0.16} / _{+0.00}	8.78

STYLE MRU ROD U-SEALS

ROD U-SEALS

Part Number	A Nom. ID	B Nom. OD	C Nom. Ht	D GROOVE WIDTH	E ROD DIAMETER	G HOUSING DIAMETER	List Price
MRU-40X50X8-HT	40	50	8	9.00 ^{+0.30} / _{+0.00}	40.00 ^{-0.025} / _{-0.064}	50.00 ^{+0.10} / _{+0.00}	17.50
MRU-40X50X9-E	40	50	9	10.00 ^{+0.20} / _{+0.00}	40.00 ^{+0.000} / _{-0.062}	50.00 ^{+0.10} / _{+0.00}	6.56
MRU-40X50X10-ME	40	50	10	11.00 ^{+0.20} / _{+0.00}	40.00 ^{-0.025} / _{-0.064}	50.00 ^{+0.16} / _{+0.00}	8.78
MRU-40X52X8-E	40	52	8	9.00 ^{+0.30} / _{+0.00}	40.00 ^{-0.025} / _{-0.064}	52.00 ^{+0.12} / _{+0.00}	10.35
MRU-40X55X9	40	55	9	10.00 ^{+0.30} / _{+0.00}	40.00 ^{-0.025} / _{-0.064}	55.00 ^{+0.12} / _{+0.00}	14.96
MRU-40X55X10	40	55	10	11.00 ^{+0.30} / _{+0.00}	40.00 ^{-0.025} / _{-0.064}	55.00 ^{+0.12} / _{+0.00}	39.71
MRU-40X55X10-ME	40	55	10	11.00 ^{+0.20} / _{+0.00}	40.00 ^{-0.025} / _{-0.064}	55.00 ^{+0.19} / _{+0.00}	11.19
MRU-40X56X12	40	56	12	13.00 ^{+0.30} / _{+0.00}	40.00 ^{-0.025} / _{-0.064}	56.00 ^{+0.12} / _{+0.00}	15.20
MRU-40X56X12-HT	40	56	12	13.00 ^{+0.30} / _{+0.00}	40.00 ^{-0.025} / _{-0.064}	56.00 ^{+0.12} / _{+0.00}	43.58
MRU-40X60X12	40	60	12	13.00 ^{+0.30} / _{+0.00}	40.00 ^{-0.025} / _{-0.064}	60.00 ^{+0.12} / _{+0.00}	17.93
MRU-42X50X5.7-ME	42	50	5.7	6.50 ^{+0.30} / _{+0.00}	42.00 ^{-0.025} / _{-0.064}	50.00 ^{+0.10} / _{+0.00}	11.20
MRU-42X50X6	42	50	6	6.50 ^{+0.30} / _{+0.00}	42.00 ^{-0.025} / _{-0.064}	50.00 ^{+0.10} / _{+0.00}	21.66
MRU-42X52X7.3	42	52	7.3	8.00 ^{+0.30} / _{+0.00}	42.00 ^{-0.025} / _{-0.064}	52.00 ^{+0.12} / _{+0.00}	23.47
MRU-45X53X5.8-E	45	53	5.8	6.50 ^{+0.30} / _{+0.00}	45.00 ^{-0.025} / _{-0.064}	53.00 ^{+0.12} / _{+0.00}	12.73
MRU-45X53X8.2-ME	45	53	8.2	9.00 ^{+0.20} / _{+0.00}	45.00 ^{-0.025} / _{-0.064}	53.00 ^{+0.19} / _{+0.00}	11.19
MRU-45X55X6	45	55	6	6.50 ^{+0.30} / _{+0.00}	45.00 ^{-0.025} / _{-0.064}	55.00 ^{+0.12} / _{+0.00}	15.82
MRU-45X55X6-A	45	55	6	6.50 ^{+0.30} / _{+0.00}	45.00 ^{-0.025} / _{-0.064}	55.00 ^{+0.12} / _{+0.00}	2.95
MRU-45X55X7.3	45	55	7.3	8.00 ^{+0.30} / _{+0.00}	45.00 ^{-0.025} / _{-0.064}	55.00 ^{+0.12} / _{+0.00}	14.90
MRU-45X55X7.3-ME	45	55	7.3	8.00 ^{+0.20} / _{+0.00}	45.00 ^{-0.025} / _{-0.064}	55.00 ^{+0.19} / _{+0.00}	10.21
MRU-45X55X8	45	55	8	9.00 ^{+0.30} / _{+0.00}	45.00 ^{-0.025} / _{-0.064}	55.00 ^{+0.12} / _{+0.00}	21.29
MRU-45X55X10-ME	45	55	10	11.00 ^{+0.20} / _{+0.00}	45.00 ^{-0.025} / _{-0.064}	55.00 ^{+0.19} / _{+0.00}	11.19
MRU-45X58X9-E	45	58	9	10.00 ^{+0.30} / _{+0.00}	45.00 ^{-0.025} / _{-0.064}	58.00 ^{+0.12} / _{+0.00}	10.65
MRU-45X60X9	45	60	9	10.00 ^{+0.30} / _{+0.00}	45.00 ^{-0.025} / _{-0.064}	60.00 ^{+0.12} / _{+0.00}	18.87
MRU-45X60X10-E	45	60	10	11.00 ^{+0.30} / _{+0.00}	45.00 ^{-0.025} / _{-0.064}	60.00 ^{+0.12} / _{+0.00}	10.65
MRU-45X60X10-ME	45	60	10	11.00 ^{+0.20} / _{+0.00}	45.00 ^{-0.025} / _{-0.064}	60.00 ^{+0.19} / _{+0.00}	12.23
MRU-45X60X11.5-E	45	60	11.5	12.50 ^{+0.30} / _{+0.00}	45.00 ^{-0.025} / _{-0.064}	60.00 ^{+0.12} / _{+0.00}	11.94
MRU-45X61X12-HT	45	61	12	13.00 ^{+0.30} / _{+0.00}	45.00 ^{-0.025} / _{-0.064}	61.00 ^{+0.12} / _{+0.00}	45.50
MRU-45X65X12	45	65	12	13.00 ^{+0.30} / _{+0.00}	45.00 ^{-0.025} / _{-0.064}	65.00 ^{+0.12} / _{+0.00}	13.70
MRU-50X58X8.2-ME	50	58	8.2	9.00 ^{+0.30} / _{+0.00}	50.00 ^{-0.025} / _{-0.064}	58.00 ^{+0.12} / _{+0.00}	14.26
MRU-50X60X7.3	50	60	7.3	8.00 ^{+0.30} / _{+0.00}	50.00 ^{-0.025} / _{-0.064}	60.00 ^{+0.12} / _{+0.00}	14.64
MRU-50X60X7.3-ME	50	60	7.3	8.00 ^{+0.20} / _{+0.00}	50.00 ^{-0.025} / _{-0.064}	60.00 ^{+0.19} / _{+0.00}	11.15
MRU-50X60X10-E	50	60	10	11.00 ^{+0.30} / _{+0.00}	50.00 ^{-0.025} / _{-0.064}	60.00 ^{+0.12} / _{+0.00}	11.94
MRU-50X60X10-ME	50	60	10	11.00 ^{+0.20} / _{+0.00}	50.00 ^{-0.025} / _{-0.064}	60.00 ^{+0.19} / _{+0.00}	12.23

STYLE MRU ROD U-SEALS

Part Number	A Nom. ID	B Nom. OD	C Nom. Ht	D GROOVE WIDTH	E ROD DIAMETER	G HOUSING DIAMETER	List Price
MRU-50X60X12-E	50	60	12	13.00 ^{+0.30} / _{+0.00}	50.00 ^{-0.025} / _{-0.064}	60.00 ^{+0.12} / _{+0.00}	11.94
MRU-50X63X8	50	63	8	9.00 ^{+0.30} / _{+0.00}	50.00 ^{-0.025} / _{-0.064}	63.00 ^{+0.12} / _{+0.00}	18.42
MRU-50X63X10	50	63	10	11.00 ^{+0.30} / _{+0.00}	50.00 ^{-0.025} / _{-0.064}	63.00 ^{+0.12} / _{+0.00}	18.98
MRU-50X65X9	50	65	9	10.00 ^{+0.30} / _{+0.00}	50.00 ^{-0.025} / _{-0.064}	65.00 ^{+0.12} / _{+0.00}	22.84
MRU-50X65X10	50	65	10	11.00 ^{+0.30} / _{+0.00}	50.00 ^{-0.025} / _{-0.064}	65.00 ^{+0.12} / _{+0.00}	19.17
MRU-50X65X10-ME	50	65	10	11.00 ^{+0.20} / _{+0.00}	50.00 ^{-0.025} / _{-0.064}	65.00 ^{+0.19} / _{+0.00}	12.89
MRU-50X65X11.4-ME	50	65	11.4	12.50 ^{+0.20} / _{+0.00}	50.00 ^{-0.025} / _{-0.064}	65.00 ^{+0.19} / _{+0.00}	11.74
MRU-50X65X11.5-E	50	65	11.5	12.50 ^{+0.30} / _{+0.00}	50.00 ^{-0.025} / _{-0.064}	65.00 ^{+0.12} / _{+0.00}	14.13
MRU-50X65X15.5-E	50	65	15.5	17.00 ^{+0.30} / _{+0.00}	50.00 ^{-0.025} / _{-0.064}	65.00 ^{+0.12} / _{+0.00}	14.13
MRU-50X66X12	50	66	12	13.00 ^{+0.30} / _{+0.00}	50.00 ^{-0.025} / _{-0.064}	66.00 ^{+0.12} / _{+0.00}	14.68
MRU-50X66X12-HT	50	66	12	13.00 ^{+0.30} / _{+0.00}	50.00 ^{-0.025} / _{-0.064}	66.00 ^{+0.12} / _{+0.00}	49.23
MRU-50X70X12	50	70	12	13.00 ^{+0.30} / _{+0.00}	50.00 ^{-0.025} / _{-0.064}	70.00 ^{+0.12} / _{+0.00}	19.32
MRU-55X65X6-A	55	65	6	6.50 ^{+0.30} / _{+0.00}	55.00 ^{-0.030} / _{-0.076}	65.00 ^{+0.12} / _{+0.00}	3.30
MRU-55X65X7.2-E	55	65	7.2	8.00 ^{+0.30} / _{+0.00}	55.00 ^{-0.030} / _{-0.076}	65.00 ^{+0.12} / _{+0.00}	11.12
MRU-55X65X7.3-ME	55	65	7.3	8.00 ^{+0.20} / _{+0.00}	55.00 ^{-0.030} / _{-0.076}	65.00 ^{+0.19} / _{+0.00}	14.85
MRU-55X65X8.2	55	65	8.2	9.00 ^{+0.20} / _{+0.00}	55.00 ^{-0.030} / _{-0.076}	65.00 ^{+0.12} / _{+0.00}	14.70
MRU-55X65X10-ME	55	65	10	11.00 ^{+0.20} / _{+0.00}	55.00 ^{-0.030} / _{-0.076}	65.00 ^{+0.19} / _{+0.00}	12.89
MRU-55X68X10	55	68	10	11.00 ^{+0.30} / _{+0.00}	55.00 ^{-0.030} / _{-0.076}	68.00 ^{+0.12} / _{+0.00}	23.71
MRU-55X70X9	55	70	9	10.00 ^{+0.30} / _{+0.00}	55.00 ^{-0.030} / _{-0.076}	70.00 ^{+0.12} / _{+0.00}	21.83
MRU-55X70X10-E	55	70	10	11.00 ^{+0.30} / _{+0.00}	55.00 ^{-0.030} / _{-0.076}	70.00 ^{+0.12} / _{+0.00}	12.25
MRU-55X71X12	55	71	12	13.00 ^{+0.30} / _{+0.00}	55.00 ^{-0.030} / _{-0.076}	71.00 ^{+0.12} / _{+0.00}	25.44
MRU-55X75X12	55	75	12	13.00 ^{+0.30} / _{+0.00}	55.00 ^{-0.030} / _{-0.076}	75.00 ^{+0.12} / _{+0.00}	19.48
MRU-56X66X7.3	56	66	7.3	8.00 ^{+0.30} / _{+0.00}	56.00 ^{-0.030} / _{-0.076}	66.00 ^{+0.12} / _{+0.00}	16.59
MRU-56X66X7.3-ME	56	66	7.3	8.00 ^{+0.20} / _{+0.00}	56.00 ^{-0.030} / _{-0.076}	66.00 ^{+0.19} / _{+0.00}	15.61
MRU-56X66X10-E	56	66	10	11.00 ^{+0.30} / _{+0.00}	56.00 ^{-0.030} / _{-0.076}	66.00 ^{+0.12} / _{+0.00}	11.43
MRU-56X71X9	56	71	9	10.00 ^{+0.30} / _{+0.00}	56.00 ^{-0.030} / _{-0.076}	71.00 ^{+0.12} / _{+0.00}	18.69
MRU-56X71X10-E	56	71	10	11.00 ^{+0.30} / _{+0.00}	56.00 ^{-0.030} / _{-0.076}	71.00 ^{+0.12} / _{+0.00}	12.25
MRU-60X68X8.2-ME	60	68	8.2	9.00 ^{+0.20} / _{+0.00}	60.00 ^{-0.030} / _{-0.076}	68.00 ^{+0.19} / _{+0.00}	15.61
MRU-60X70X7.3	60	70	7.3	8.00 ^{+0.30} / _{+0.00}	60.00 ^{-0.030} / _{-0.076}	70.00 ^{+0.12} / _{+0.00}	14.86
MRU-60X70X7.3-ME	60	70	7.3	8.00 ^{+0.20} / _{+0.00}	60.00 ^{-0.030} / _{-0.076}	70.00 ^{+0.19} / _{+0.00}	13.53
MRU-60X70X10-ME	60	70	10	11.00 ^{+0.20} / _{+0.00}	60.00 ^{-0.030} / _{-0.076}	70.00 ^{+0.19} / _{+0.00}	15.61
MRU-60X72X9-E	60	72	9	10.00 ^{+0.30} / _{+0.00}	60.00 ^{-0.030} / _{-0.076}	72.00 ^{+0.12} / _{+0.00}	15.31
MRU-60X73X10	60	73	10	11.00 ^{+0.30} / _{+0.00}	60.00 ^{-0.030} / _{-0.076}	73.00 ^{+0.12} / _{+0.00}	19.11

ROD U-SEALS

STYLE MRU ROD U-SEALS

ROD U-SEALS

Part Number	A Nom. ID	B Nom. OD	C Nom. Ht	D GROOVE WIDTH	E ROD DIAMETER	G HOUSING DIAMETER	List Price
MRU-60X75X9	60	75	9	10.00 ^{+0.30} / _{+0.00}	60.00 ^{-0.030} / _{-0.076}	75.00 ^{+0.12} / _{+0.00}	19.87
MRU-60X75X11.4-ME	60	75	11.4	12.50 ^{+0.20} / _{+0.00}	60.00 ^{-0.030} / _{-0.076}	75.00 ^{+0.19} / _{+0.00}	12.33
MRU-60X76X10	60	76	10	11.00 ^{+0.30} / _{+0.00}	60.00 ^{-0.030} / _{-0.076}	76.00 ^{+0.12} / _{+0.00}	20.33
MRU-60X76X12	60	76	12	13.00 ^{+0.30} / _{+0.00}	60.00 ^{-0.030} / _{-0.076}	76.00 ^{+0.12} / _{+0.00}	22.02
MRU-60X80X12	60	80	12	13.00 ^{+0.30} / _{+0.00}	60.00 ^{-0.030} / _{-0.076}	80.00 ^{+0.12} / _{+0.00}	21.23
MRU-63X73X12-E	63	73	12	13.00 ^{+0.30} / _{+0.00}	63.00 ^{-0.030} / _{-0.076}	73.00 ^{+0.12} / _{+0.00}	14.70
MRU-63X75X8.7-ME	63	75	8.7	9.60 ^{+0.20} / _{+0.00}	63.00 ^{-0.030} / _{-0.076}	75.00 ^{+0.074} / _{+0.000}	12.88
MRU-63X78X10-E	63	78	10	11.00 ^{+0.30} / _{+0.00}	63.00 ^{-0.030} / _{-0.076}	78.00 ^{+0.12} / _{+0.00}	14.70
MRU-63X78X11.4-ME	63	78	11.4	12.50 ^{+0.20} / _{+0.00}	63.00 ^{-0.030} / _{-0.076}	78.00 ^{+0.19} / _{+0.00}	13.43
MRU-63X79X11.5-GT	63	79	11.5	12.50 ^{+0.30} / _{+0.00}	63.00 ^{-0.030} / _{-0.076}	79.00 ^{+0.12} / _{+0.00}	44.44
MRU-63X83X12	63	83	12	13.00 ^{+0.30} / _{+0.00}	63.00 ^{-0.030} / _{-0.076}	83.00 ^{+0.14} / _{+0.00}	23.98
MRU-65X75X6	65	75	6	6.50 ^{+0.30} / _{+0.00}	65.00 ^{-0.030} / _{-0.076}	75.00 ^{+0.12} / _{+0.00}	16.84
MRU-65X77X8.7-ME	65	77	8.7	9.60 ^{+0.20} / _{+0.00}	65.00 ^{-0.030} / _{-0.076}	77.00 ^{+0.19} / _{+0.00}	14.75
MRU-65X78X10	65	78	10	11.00 ^{+0.30} / _{+0.00}	65.00 ^{-0.030} / _{-0.076}	78.00 ^{+0.12} / _{+0.00}	22.21
MRU-65X78X10-A	65	78	10	11.00 ^{+0.30} / _{+0.00}	65.00 ^{-0.030} / _{-0.076}	78.00 ^{+0.12} / _{+0.00}	4.99
MRU-65X80X9	65	80	9	10.00 ^{+0.30} / _{+0.00}	65.00 ^{-0.030} / _{-0.076}	80.00 ^{+0.12} / _{+0.00}	20.87
MRU-65X80X9-U641	65	80	9	10.00 ^{+0.30} / _{+0.00}	65.00 ^{-0.030} / _{-0.076}	80.00 ^{+0.12} / _{+0.00}	25.08
MRU-65X80X10-E	65	80	10	11.00 ^{+0.30} / _{+0.00}	65.00 ^{-0.030} / _{-0.076}	80.00 ^{+0.12} / _{+0.00}	14.21
MRU-65X80X11.4-ME	65	80	11.4	12.50 ^{+0.20} / _{+0.00}	65.00 ^{-0.030} / _{-0.076}	80.00 ^{+0.19} / _{+0.00}	15.66
MRU-65X85X12	65	85	12	13.00 ^{+0.30} / _{+0.00}	65.00 ^{-0.030} / _{-0.076}	85.00 ^{+0.14} / _{+0.00}	27.92
MRU-70X80X7-E	70	80	7	8.00 ^{+0.30} / _{+0.00}	70.00 ^{-0.030} / _{-0.076}	80.00 ^{+0.12} / _{+0.00}	16.01
MRU-70X80X11.8-ME	70	80	11.8	13.00 ^{+0.20} / _{+0.00}	70.00 ^{-0.030} / _{-0.076}	80.00 ^{+0.19} / _{+0.00}	14.75
MRU-70X82X8.7-ME	70	82	8.7	9.50 ^{+0.30} / _{+0.00}	70.00 ^{-0.030} / _{-0.076}	82.00 ^{+0.14} / _{+0.00}	17.70
MRU-70X83X10	70	83	10	11.00 ^{+0.30} / _{+0.00}	70.00 ^{-0.030} / _{-0.076}	83.00 ^{+0.14} / _{+0.00}	21.83
MRU-70X85X9	70	85	9	10.00 ^{+0.30} / _{+0.00}	70.00 ^{-0.030} / _{-0.076}	85.00 ^{+0.14} / _{+0.00}	23.71
MRU-70X85X10-E	70	85	10	11.00 ^{+0.30} / _{+0.00}	70.00 ^{-0.030} / _{-0.076}	85.00 ^{+0.14} / _{+0.00}	13.09
MRU-70X85X10-ME	70	85	10	11.00 ^{+0.20} / _{+0.00}	70.00 ^{-0.030} / _{-0.076}	85.00 ^{+0.22} / _{+0.00}	17.70
MRU-70X85X11.4-ME	70	85	11.4	12.50 ^{+0.20} / _{+0.00}	70.00 ^{-0.030} / _{-0.076}	85.00 ^{+0.22} / _{+0.00}	16.14
MRU-70X85X12-E	70	85	12	13.00 ^{+0.30} / _{+0.00}	70.00 ^{-0.030} / _{-0.076}	85.00 ^{+0.14} / _{+0.00}	13.25
MRU-70X90X12	70	90	12	13.00 ^{+0.30} / _{+0.00}	70.00 ^{-0.030} / _{-0.076}	90.00 ^{+0.14} / _{+0.00}	28.47
MRU-75X85X6-A	75	85	6	6.50 ^{+0.30} / _{+0.00}	75.00 ^{-0.030} / _{-0.076}	85.00 ^{+0.14} / _{+0.00}	3.71
MRU-75X85X6.3	75	85	6.3	7.00 ^{+0.30} / _{+0.00}	75.00 ^{-0.030} / _{-0.076}	85.00 ^{+0.14} / _{+0.00}	34.78
MRU-75X85X7-E	75	85	7	8.00 ^{+0.30} / _{+0.00}	75.00 ^{-0.030} / _{-0.076}	85.00 ^{+0.14} / _{+0.00}	10.86

STYLE MRU ROD U-SEALS

ROD U-SEALS

Part Number	A Nom. ID	B Nom. OD	C Nom. Ht	D GROOVE WIDTH	E ROD DIAMETER	G HOUSING DIAMETER	List Price
MRU-75X85X12-E	75	85	12	13.00 +0.30 +0.00	75.00 -0.030 -0.076	85.00 +0.14 +0.00	11.28
MRU-75X88X10	75	88	10	11.00 +0.30 +0.00	75.00 -0.030 -0.076	88.00 +0.14 +0.00	26.55
MRU-75X90X9	75	90	9	10.00 +0.30 +0.00	75.00 -0.030 -0.076	90.00 +0.14 +0.00	26.09
MRU-75X90X10-E	75	90	10	11.00 +0.30 +0.00	75.00 -0.030 -0.076	90.00 +0.14 +0.00	13.09
MRU-75X90X10-ME	75	90	10	11.00 +0.20 +0.00	75.00 -0.030 -0.076	90.00 +0.22 +0.00	18.83
MRU-75X90X11.4-ME	75	90	11.4	12.50 +0.30 +0.00	75.00 -0.030 -0.076	90.00 +0.14 +0.00	30.58
MRU-75X95X12	75	95	12	13.00 +0.30 +0.00	75.00 -0.030 -0.076	95.00 +0.14 +0.00	28.70
MRU-80X92X8.7-ME	80	92	8.7	9.60 +0.20 +0.00	80.00 -0.030 -0.076	92.00 +0.22 +0.00	20.29
MRU-80X93X10	80	93	10	11.00 +0.30 +0.00	80.00 -0.030 -0.076	93.00 +0.14 +0.00	29.07
MRU-80X95X9	80	95	9	10.00 +0.30 +0.00	80.00 -0.030 -0.076	95.00 +0.14 +0.00	29.07
MRU-80X95X10	80	95	10	11.00 +0.30 +0.00	80.00 -0.030 -0.076	95.00 +0.14 +0.00	29.95
MRU-80X95X11.4-ME	80	95	11.4	12.50 +0.20 +0.00	80.00 -0.030 -0.076	95.00 +0.22 +0.00	18.48
MRU-80X95X11.5-E	80	95	11.5	12.50 +0.30 +0.00	80.00 -0.030 -0.076	95.00 +0.14 +0.00	13.71
MRU-80X100X12	80	100	12	13.00 +0.30 +0.00	80.00 -0.030 -0.076	100.00 +0.14 +0.00	31.56
MRU-85X100X9	85	100	9	10.00 +0.30 +0.00	85.00 -0.036 -0.090	100.00 +0.14 +0.00	31.56
MRU-85X100X10	85	100	10	11.00 +0.30 +0.00	85.00 -0.036 -0.090	100.00 +0.14 +0.00	31.68
MRU-85X100X11.4-ME	85	100	11.4	12.50 +0.30 +0.00	85.00 -0.036 -0.090	100.00 +0.14 +0.00	23.88
MRU-85X105X12	85	105	12	13.00 +0.30 +0.00	85.00 -0.036 -0.090	105.00 +0.14 +0.00	32.67
MRU-90X102X8.7-ME	90	102	8.7	9.60 +0.20 +0.00	90.00 -0.036 -0.090	102.00 +0.22 +0.00	24.10
MRU-90X105X9	90	105	9	10.00 +0.30 +0.00	90.00 -0.036 -0.090	105.00 +0.14 +0.00	33.23
MRU-90X105X10	90	105	10	11.00 +0.30 +0.00	90.00 -0.036 -0.090	105.00 +0.14 +0.00	33.59
MRU-90X105X11.4-ME	90	105	11.4	12.50 +0.20 +0.00	90.00 -0.036 -0.090	105.00 +0.22 +0.00	25.58
MRU-90X105X11.5-E	90	105	11.5	12.50 +0.30 +0.00	90.00 -0.036 -0.090	105.00 +0.14 +0.00	19.31
MRU-90X110X12	90	110	12	13.00 +0.30 +0.00	90.00 -0.036 -0.090	110.00 +0.14 +0.00	29.57
MRU-90X110X15-E	90	110	15	16.50 +0.30 +0.00	90.00 -0.036 -0.090	110.00 +0.14 +0.00	15.35
MRU-95X110X9	95	110	9	10.00 +0.30 +0.00	95.00 -0.036 -0.090	110.00 +0.14 +0.00	35.14
MRU-95X110X10	95	110	10	11.00 +0.30 +0.00	95.00 -0.036 -0.090	110.00 +0.14 +0.00	35.14
MRU-95X115X12	95	115	12	13.00 +0.30 +0.00	95.00 -0.036 -0.090	115.00 +0.14 +0.00	35.46
MRU-100X113X12.5-E	100	113	12.5	14.00 +0.30 +0.00	100.00 -0.036 -0.090	113.00 +0.14 +0.00	25.45
MRU-100X115X10	100	115	10	11.00 +0.30 +0.00	100.00 -0.036 -0.090	115.00 +0.14 +0.00	26.87
MRU-100X115X11.4-ME	100	115	11.4	12.50 +0.20 +0.00	100.00 -0.036 -0.090	115.00 +0.22 +0.00	29.49
MRU-100X115X12-E	100	115	12	13.00 +0.30 +0.00	100.00 -0.036 -0.090	115.00 +0.14 +0.00	15.35
MRU-100X120X12	100	120	12	13.00 +0.30 +0.00	100.00 -0.036 -0.090	120.00 +0.14 +0.00	38.43

STYLE MRU ROD U-SEALS

ROD U-SEALS

Part Number	A Nom. ID	B Nom. OD	C Nom. Ht	D GROOVE WIDTH	E ROD DIAMETER	G HOUSING DIAMETER	List Price
MRU-100X120X15-E	100	120	15	16.50 ^{+0.30} / _{+0.00}	100.00 ^{-0.036} / _{-0.090}	120.00 ^{+0.14} / _{+0.00}	15.54
MRU-105X120X9	105	120	9	10.00 ^{+0.30} / _{+0.00}	105.00 ^{-0.036} / _{-0.090}	120.00 ^{+0.14} / _{+0.00}	43.13
MRU-105X120X10	105	120	10	11.00 ^{+0.30} / _{+0.00}	105.00 ^{-0.036} / _{-0.090}	120.00 ^{+0.14} / _{+0.00}	44.01
MRU-105X125X12	105	125	12	13.00 ^{+0.30} / _{+0.00}	105.00 ^{-0.036} / _{-0.090}	125.00 ^{+0.16} / _{+0.00}	47.76
MRU-105X125X15	105	125	15	16.50 ^{+0.30} / _{+0.00}	105.00 ^{-0.036} / _{-0.090}	125.00 ^{+0.16} / _{+0.00}	46.22
MRU-110X125X9	110	125	9	10.00 ^{+0.30} / _{+0.00}	110.00 ^{-0.036} / _{-0.090}	125.00 ^{+0.16} / _{+0.00}	48.86
MRU-110X125X9-A	110	125	9	10.00 ^{+0.30} / _{+0.00}	110.00 ^{-0.036} / _{-0.090}	125.00 ^{+0.16} / _{+0.00}	8.87
MRU-110X125X10	110	125	10	11.00 ^{+0.30} / _{+0.00}	110.00 ^{-0.036} / _{-0.090}	125.00 ^{+0.16} / _{+0.00}	49.73
MRU-110X125X10.9-ME	110	125	10.9	12.00 ^{+0.20} / _{+0.00}	110.00 ^{-0.036} / _{-0.090}	125.00 ^{+0.25} / _{+0.00}	33.54
MRU-110X130X10	110	130	10	11.00 ^{+0.30} / _{+0.00}	110.00 ^{-0.036} / _{-0.090}	130.00 ^{+0.16} / _{+0.00}	50.66
MRU-110X130X12	110	130	12	13.00 ^{+0.30} / _{+0.00}	110.00 ^{-0.036} / _{-0.090}	130.00 ^{+0.16} / _{+0.00}	53.53
MRU-110X130X13	110	130	13	14.50 ^{+0.30} / _{+0.00}	110.00 ^{-0.036} / _{-0.090}	130.00 ^{+0.16} / _{+0.00}	53.53
MRU-110X130X15	110	130	15	16.50 ^{+0.30} / _{+0.00}	110.00 ^{-0.036} / _{-0.090}	130.00 ^{+0.16} / _{+0.00}	55.47
MRU-112X127X10	112	127	10	11.00 ^{+0.30} / _{+0.00}	112.00 ^{-0.036} / _{-0.090}	127.00 ^{+0.16} / _{+0.00}	84.66
MRU-115X130X9	115	130	9	10.00 ^{+0.30} / _{+0.00}	115.00 ^{-0.036} / _{-0.090}	130.00 ^{+0.16} / _{+0.00}	53.39
MRU-115X130X10	115	130	10	11.00 ^{+0.30} / _{+0.00}	115.00 ^{-0.036} / _{-0.090}	130.00 ^{+0.16} / _{+0.00}	83.33
MRU-115X130X10.9-ME	115	130	10.9	12.00 ^{+0.20} / _{+0.00}	115.00 ^{-0.036} / _{-0.090}	130.00 ^{+0.25} / _{+0.00}	35.47
MRU-115X135X12	115	135	12	13.00 ^{+0.30} / _{+0.00}	115.00 ^{-0.036} / _{-0.090}	135.00 ^{+0.16} / _{+0.00}	51.96
MRU-118X133X9	118	133	9	10.00 ^{+0.30} / _{+0.00}	118.00 ^{-0.036} / _{-0.090}	133.00 ^{+0.16} / _{+0.00}	37.40
MRU-120X135X9	120	135	9	10.00 ^{+0.30} / _{+0.00}	120.00 ^{-0.036} / _{-0.090}	135.00 ^{+0.16} / _{+0.00}	54.65
MRU-120X140X10	120	140	10	11.00 ^{+0.30} / _{+0.00}	120.00 ^{-0.036} / _{-0.090}	140.00 ^{+0.16} / _{+0.00}	60.09
MRU-120X140X12	120	140	12	13.00 ^{+0.30} / _{+0.00}	120.00 ^{-0.036} / _{-0.090}	140.00 ^{+0.16} / _{+0.00}	63.30
MRU-120X140X13	120	140	13	14.50 ^{+0.30} / _{+0.00}	120.00 ^{-0.036} / _{-0.090}	140.00 ^{+0.16} / _{+0.00}	63.30
MRU-120X140X14.6-ME	120	140	14.6	16.00 ^{+0.20} / _{+0.00}	120.00 ^{-0.036} / _{-0.090}	140.00 ^{+0.25} / _{+0.00}	38.37
MRU-120X140X15	120	140	15	16.50 ^{+0.30} / _{+0.00}	120.00 ^{-0.036} / _{-0.090}	140.00 ^{+0.16} / _{+0.00}	51.41
MRU-125X140X10.9-ME	125	140	10.9	12.00 ^{+0.20} / _{+0.00}	125.00 ^{-0.043} / _{-0.106}	140.00 ^{+0.25} / _{+0.00}	40.72
MRU-125X145X12	125	145	12	13.00 ^{+0.30} / _{+0.00}	125.00 ^{-0.043} / _{-0.106}	145.00 ^{+0.16} / _{+0.00}	59.23
MRU-130X145X9	130	145	9	10.00 ^{+0.30} / _{+0.00}	130.00 ^{-0.043} / _{-0.106}	145.00 ^{+0.16} / _{+0.00}	51.30
MRU-130X150X12	130	150	12	13.00 ^{+0.30} / _{+0.00}	130.00 ^{-0.043} / _{-0.106}	150.00 ^{+0.16} / _{+0.00}	60.42
MRU-130X150X13	130	150	13	14.50 ^{+0.30} / _{+0.00}	130.00 ^{-0.043} / _{-0.106}	150.00 ^{+0.16} / _{+0.00}	66.81
MRU-130X150X16	130	150	16	17.00 ^{+0.30} / _{+0.00}	130.00 ^{-0.043} / _{-0.106}	150.00 ^{+0.16} / _{+0.00}	73.67
MRU-135X150X9-A	135	150	9	10.00 ^{+0.30} / _{+0.00}	135.00 ^{-0.043} / _{-0.106}	150.00 ^{+0.16} / _{+0.00}	8.87
MRU-140X155X9	140	155	9	10.00 ^{+0.30} / _{+0.00}	140.00 ^{-0.043} / _{-0.106}	155.00 ^{+0.16} / _{+0.00}	40.67

STYLE MRU ROD U-SEALS

Part Number	A Nom. ID	B Nom. OD	C Nom. Ht	D GROOVE WIDTH	E ROD DIAMETER	G HOUSING DIAMETER	List Price
MRU-140X160X12	140	160	12	13.00 ^{+0.30} / _{+0.00}	140.00 ^{-0.043} / _{-0.106}	160.00 ^{+0.16} / _{+0.00}	74.22
MRU-140X160X14.6-ME	140	160	14.6	16.00 ^{+0.20} / _{+0.00}	140.00 ^{-0.043} / _{-0.106}	160.00 ^{+0.25} / _{+0.00}	56.52
MRU-145X160X9-A	145	160	9	10.00 ^{+0.30} / _{+0.00}	145.00 ^{-0.043} / _{-0.106}	160.00 ^{+0.16} / _{+0.00}	9.42
MRU-150X170X12	150	170	12	13.00 ^{+0.30} / _{+0.00}	150.00 ^{-0.043} / _{-0.106}	170.00 ^{+0.16} / _{+0.00}	108.40
MRU-150X170X14.6-ME	150	170	14.6	16.00 ^{+0.20} / _{+0.00}	150.00 ^{-0.043} / _{-0.106}	170.00 ^{+0.25} / _{+0.00}	61.73
MRU-150X170X16	150	170	16	17.00 ^{+0.30} / _{+0.00}	150.00 ^{-0.043} / _{-0.106}	170.00 ^{+0.16} / _{+0.00}	86.74
MRU-155X170X9-A	155	170	9	10.00 ^{+0.30} / _{+0.00}	155.00 ^{-0.043} / _{-0.106}	170.00 ^{+0.16} / _{+0.00}	10.08
MRU-160X180X12	160	180	12	13.00 ^{+0.30} / _{+0.00}	160.00 ^{-0.043} / _{-0.106}	180.00 ^{+0.16} / _{+0.00}	97.29
MRU-160X180X12-BHT	160	180	12	13.00 ^{+0.30} / _{+0.00}	160.00 ^{-0.043} / _{-0.106}	180.00 ^{+0.16} / _{+0.00}	86.61
MRU-160X180X15	160	180	15	16.00 ^{+0.30} / _{+0.00}	160.00 ^{-0.043} / _{-0.106}	180.00 ^{+0.16} / _{+0.00}	92.75
MRU-160X185X16	160	185	16	17.00 ^{+0.30} / _{+0.00}	160.00 ^{-0.043} / _{-0.106}	185.00 ^{+0.185} / _{+0.000}	92.06
MRU-170X190X12-E	170	190	12	13.00 ^{+0.30} / _{+0.00}	170.00 ^{-0.043} / _{-0.106}	190.00 ^{+0.185} / _{+0.000}	30.50
MRU-170X195X16	170	195	16	17.00 ^{+0.30} / _{+0.00}	170.00 ^{-0.043} / _{-0.106}	195.00 ^{+0.185} / _{+0.000}	146.63
MRU-180X200X14.6-ME	180	200	14.6	16.00 ^{+0.20} / _{+0.00}	180.00 ^{-0.043} / _{-0.106}	200.00 ^{+0.29} / _{+0.00}	76.86
MRU-180X205X16	180	205	16	17.00 ^{+0.30} / _{+0.00}	180.00 ^{-0.043} / _{-0.106}	205.00 ^{+0.185} / _{+0.000}	152.11
MRU-200X225X16	200	225	16	17.00 ^{+0.30} / _{+0.00}	200.00 ^{-0.050} / _{-0.122}	225.00 ^{+0.185} / _{+0.000}	174.46

Seal color may vary. Special order sizes are available. Sizes not shown and out of stock items can also be ordered for next day delivery through Seals On Demand, our custom seal program. Please call your regional sales team for assistance.