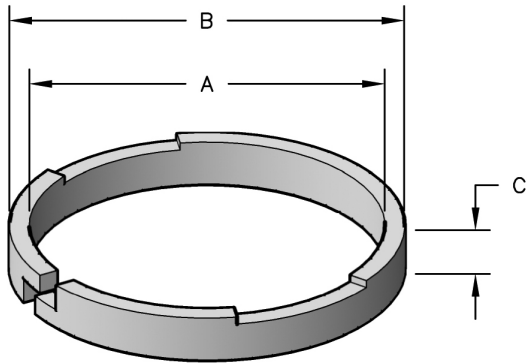


STYLE MRT CUSHION SEALS



HERCULES PART NUMBERS



| SEAL INFORMATION | |
|-------------------|--|
| MATERIAL | NYLON OR REINFORCED PHENOLIC |
| TEMPERATURE RANGE | N = -67° TO +212° F P = -67° TO +248° F |
| PRESSURE RANGE | 0 TO 5,000 PSI |

| Part Number | A Nom. ID | B Nom. OD | C Nom. Ht | INSIDE DIAMETER | OUTSIDE DIAMETER | C HEIGHT | CROSS SECTION | SPLIT TYPE | MATERIAL | List Price |
|-------------|-----------|-----------|-----------|-----------------|------------------|--|--|------------|----------|------------|
| MRT-22 | 17.8 | 22 | 3.5 | 19.40 | 23.60 | 3.50 ^{-0.01} / _{-0.15} | 2.10 ^{-0.01} / _{-0.07} | BUTTCUT | NYLON | \$8.34 |
| MRT-30B | 25 | 30 | 5 | 24.80 | 30.00 | 5.00 ^{+0.00} / _{-0.13} | 2.60 ^{-0.01} / _{-0.07} | BUTTCUT | POM | 29.30 |
| MRT-30A | 26 | 30 | 5 | 25.80 | 30.00 | 4.95 ^{+0.00} / _{-0.13} | 2.10 ^{-0.01} / _{-0.07} | BUTTCUT | PHENOLIC | 27.93 |
| MRT-38B | 32 | 38 | 6 | 31.76 | 38.00 | 6.00 ^{+0.00} / _{-0.13} | 3.12 ^{-0.01} / _{-0.07} | BUTTCUT | NYLON | 28.81 |
| MRT-38C | 32 | 38 | 6 | 31.76 | 38.00 | 6.00 ^{+0.00} / _{-0.13} | 3.12 ^{-0.01} / _{-0.07} | BUTTCUT | PHENOLIC | 28.81 |
| MRT-38 | 33 | 38 | 6 | 33.00 | 38.00 | 6.00 ^{+0.00} / _{-0.13} | 2.50 ^{-0.01} / _{-0.07} | BUTTCUT | NYLON | 28.00 |
| MRT-40 | 34 | 39 | 6 | 33.65 | 38.85 | 6.00 ^{+0.00} / _{-0.08} | 2.60 ^{-0.01} / _{-0.07} | BUTTCUT | PHENOLIC | 26.94 |
| MRT-45A | 39 | 45 | 6 | 38.76 | 45.00 | 6.00 ^{-0.01} / _{-0.07} | 3.12 ^{-0.01} / _{-0.07} | BUTTCUT | NYLON | 27.18 |
| MRT-46B | 40 | 46 | 6 | 39.80 | 46.00 | 6.00 ^{+0.00} / _{-0.07} | 3.10 ^{-0.01} / _{-0.07} | BUTTCUT | NYLON | 54.25 |
| MRT-46 | 41 | 46 | 6 | 41.00 | 46.00 | 6.00 ^{+0.00} / _{-0.13} | 2.50 ^{-0.01} / _{-0.07} | BUTTCUT | NYLON | 20.25 |
| MRT-46C | 41 | 47 | 6 | 41.00 | 47.00 | 6.00 ^{+0.00} / _{-0.20} | 3.00 ^{-0.01} / _{-0.07} | BUTTCUT | PHENOLIC | 6.66 |
| MRT-52 | 46 | 52 | 6 | 45.60 | 51.60 | 6.00 ^{-0.01} / _{-0.14} | 3.00 ^{-0.01} / _{-0.07} | BUTTCUT | PHENOLIC | 24.81 |
| MRT-55A | 48 | 54 | 6 | 48.50 | 54.42 | 6.00 ^{+0.00} / _{-0.25} | 2.96 ±0.03 | STEPCUT | PHENOLIC | 27.53 |
| MRT-65B | 58 | 64 | 6 | 58.10 | 64.00 | 6.00 | 2.95 | STEPCUT | NYLON | 33.38 |
| MRT-65A | 59 | 65 | 6 | 58.76 | 65.00 | 6.00 ^{+0.00} / _{-0.13} | 3.12 ^{-0.01} / _{-0.07} | BUTTCUT | PHENOLIC | 33.38 |
| MRT-65 | 60 | 65 | 6 | 60.00 | 65.00 | 6.00 ^{+0.00} / _{-0.13} | 2.50 ^{-0.01} / _{-0.07} | BUTTCUT | NYLON | 31.54 |
| MRT-71 | 61.4 | 71 | 6 | 61.40 | 71.00 | 6.00 ^{+0.00} / _{-0.13} | 4.80 ^{-0.01} / _{-0.07} | STEPCUT | PHENOLIC | 15.44 |
| MRT-70A | 63 | 69 | 6 | 63.00 | 69.00 | 6.00 ^{+0.00} / _{-0.13} | 3.00 ^{-0.01} / _{-0.07} | STEPCUT | PHENOLIC | 33.38 |
| MRT-70B | 64 | 70 | 6 | 64.00 | 70.00 | 6.00 ^{+0.00} / _{-0.13} | 3.00 ^{-0.01} / _{-0.07} | BUTTCUT | NYLON | 5.86 |
| MRT-70 | 65 | 70 | 6 | 65.00 | 70.00 | 6.00 ^{+0.00} / _{-0.13} | 2.50 ^{-0.01} / _{-0.07} | BUTTCUT | NYLON | 35.04 |
| MRT-72A | 65 | 71 | 6 | 64.80 | 70.80 | 6.00 ^{+0.00} / _{-0.13} | 3.00 ^{-0.01} / _{-0.07} | STEPCUT | PHENOLIC | 34.37 |
| MRT-72 | 66 | 72 | 8 | 66.00 | 72.00 | 8.00 ^{-0.01} / _{-0.07} | 3.00 ^{-0.01} / _{-0.07} | STEPCUT | PHENOLIC | 20.31 |

STYLE MRT CUSHION SEALS

CUSHION SEALS

| Part Number | A Nom. ID | B Nom. OD | C Nom. Ht | INSIDE DIAMETER | OUTSIDE DIAMETER | C HEIGHT | CROSS SECTION | SPLIT TYPE | MATERIAL | List Price |
|-------------|-----------|-----------|-----------|-----------------|------------------|---|--|------------|----------|------------|
| MRT-75A | 68 | 74 | 6 | 68.00 | 74.00 | 6.00 ^{+0.00} / _{-0.13} | 3.00 ^{-0.01} / _{-0.07} | STEEPCUT | PHENOLIC | 35.62 |
| MRT-75C | 69 | 75 | 6 | 68.76 | 75.00 | 6.00 ^{+0.00} / _{-0.13} | 3.12 ^{-0.01} / _{-0.07} | BUTTCUT | PHENOLIC | 34.74 |
| MRT-80A | 69 | 79 | 8 | 69.00 | 78.85 | 8.00 ^{+0.00} / _{-0.13} | 5.00 ^{-0.01} / _{-0.07} | STEEPCUT | PHENOLIC | 31.99 |
| MRT-80B | 69 | 79 | 10 | 68.85 | 78.85 | 10.00 ^{+0.00} / _{-0.13} | 5.00 ^{-0.01} / _{-0.07} | STEEPCUT | PHENOLIC | 24.71 |
| MRT-75 | 70 | 75 | 6 | 70.00 | 75.00 | 6.00 ^{+0.00} / _{-0.13} | 2.50 ^{-0.01} / _{-0.07} | BUTTCUT | NYLON | 38.93 |
| MRT-80C | 74 | 80 | 6 | 73.76 | 80.00 | 6.00 ^{+0.00} / _{-0.13} | 3.12 ^{-0.01} / _{-0.07} | BUTTCUT | PHENOLIC | 34.94 |
| MRT-85A | 74 | 84 | 8 | 74.00 | 84.00 | 8.00 ^{+0.00} / _{-0.13} | 5.00 ^{-0.01} / _{-0.07} | STEEPCUT | PHENOLIC | 32.30 |
| MRT-82 | 74.8 | 81 | 6 | 74.80 | 81.00 | 6.00 ^{+0.00} / _{-0.10} | 3.10 ^{+0.03} / _{-0.05} | BUTTCUT | NYLON | 8.94 |
| MRT-80 | 75 | 80 | 6 | 75.00 | 80.00 | 6.00 ^{+0.00} / _{-0.13} | 2.50 ^{-0.01} / _{-0.07} | BUTTCUT | NYLON | 42.78 |
| MRT-85C | 75 | 85 | 10 | 75.00 | 85.00 | 10.00 ^{-0.01} / _{-0.14} | 5.00 ^{-0.01} / _{-0.07} | STEEPCUT | PHENOLIC | 32.12 |
| MRT-85B | 79 | 85 | 6 | 78.76 | 85.00 | 6.00 ^{-0.01} / _{-0.08} | 3.12 ^{-0.01} / _{-0.07} | BUTTCUT | NYLON | 31.54 |
| MRT-90A | 79 | 89 | 8 | 79.00 | 89.00 | 8.00 ^{+0.00} / _{-0.13} | 5.00 ^{-0.01} / _{-0.07} | STEEPCUT | PHENOLIC | 32.59 |
| MRT-85 | 80 | 85 | 6 | 80.00 | 85.00 | 6.00 ^{+0.00} / _{-0.13} | 2.50 ^{-0.01} / _{-0.07} | BUTTCUT | NYLON | 27.27 |
| MRT-89A | 80.5 | 90.5 | 10 | 78.50 | 88.40 | 10.00 ^{-0.01} / _{-0.14} | 5.00 ^{-0.01} / _{-0.07} | STEEPCUT | PHENOLIC | 24.99 |
| MRT-87 | 81 | 87 | 6 | 80.76 | 87.00 | 6.00 ^{-0.01} / _{-0.07} | 3.12 ^{-0.01} / _{-0.07} | BUTTCUT | NYLON | 8.91 |
| MRT-89 | 84 | 89 | 6 | 84.00 | 89.00 | 6.00 ^{+0.00} / _{-0.13} | 2.50 ^{-0.01} / _{-0.07} | BUTTCUT | PHENOLIC | 40.50 |
| MRT-90C | 84 | 90 | 6 | 83.76 | 90.00 | 6.00 ^{+0.00} / _{-0.13} | 3.12 ^{-0.01} / _{-0.07} | BUTTCUT | PHENOLIC | 36.29 |
| MRT-95A | 84 | 94 | 8 | 83.70 | 93.70 | 8.00 ^{+0.00} / _{-0.13} | 5.00 ^{-0.01} / _{-0.07} | STEEPCUT | PHENOLIC | 31.16 |
| MRT-90 | 85 | 90 | 6 | 85.00 | 90.00 | 6.00 ^{+0.00} / _{-0.13} | 2.50 ^{-0.01} / _{-0.07} | BUTTCUT | NYLON | 47.12 |
| MRT-95B | 89 | 95 | 6 | 88.76 | 95.00 | 6.00 ^{-0.01} / _{-0.08} | 3.12 ^{-0.01} / _{-0.07} | BUTTCUT | NYLON | 23.90 |
| MRT-100A | 89 | 99 | 8 | 88.85 | 98.85 | 8.00 ^{+0.00} / _{-0.13} | 5.00 ^{-0.01} / _{-0.07} | STEEPCUT | PHENOLIC | 33.17 |
| MRT-95 | 90 | 95 | 6 | 90.00 | 95.00 | 6.00 ^{+0.00} / _{-0.13} | 2.50 ^{-0.01} / _{-0.07} | BUTTCUT | NYLON | 51.82 |
| MRT-98 | 92.5 | 98.5 | 6 | 92.26 | 98.50 | 6.00 ^{-0.01} / _{-0.07} | 3.12 ^{-0.01} / _{-0.07} | BUTTCUT | NYLON | 28.74 |
| MRT-100B | 94 | 100 | 6 | 93.80 | 100.00 | 6.00 ^{+0.00} / _{-0.13} | 3.10 ^{+0.00} / _{-0.07} | BUTTCUT | NYLON | 34.34 |
| MRT-105A | 94 | 104 | 8 | 93.50 | 103.50 | 8.00 ^{+0.00} / _{-0.13} | 5.00 ^{-0.01} / _{-0.07} | STEEPCUT | PHENOLIC | 37.57 |
| MRT-100 | 95 | 100 | 6 | 95.00 | 100.00 | 6.00 ^{+0.00} / _{-0.13} | 2.50 ^{-0.01} / _{-0.07} | BUTTCUT | NYLON | 26.80 |
| MRT-104A | 95 | 105 | 10 | 94.10 | 104.00 | 10.00 ^{-0.01} / _{-0.14} | 5.00 ^{-0.01} / _{-0.07} | STEEPCUT | PHENOLIC | 31.90 |
| MRT-105 | 100 | 105 | 6 | 99.84 | 105.00 | 6.00 ^{+0.00} / _{-0.13} | 2.58 ^{-0.01} / _{-0.05} | BUTTCUT | PHENOLIC | 42.24 |
| MRT-110C | 100 | 110 | 10 | 100.00 | 110.00 | 10.00 ^{-0.01} / _{-0.14} | 5.00 ^{-0.01} / _{-0.07} | STEEPCUT | PHENOLIC | 37.35 |
| MRT-107 | 102 | 107 | 6 | 105.00 | 107.00 | 6.00 ^{±0.13} | 2.60 ^{+0.00} / _{-0.05} | BUTTCUT | PHENOLIC | 31.43 |
| MRT-111BBZ | 103.3 | 109.6 | 6 | 103.30 | 109.60 | 6.00 ^{+0.00} / _{-0.13} | 3.15 ^{+0.00} / _{-0.07} | BUTTCUT | BRONZE | 70.22 |

STYLE MRT CUSHION SEALS

| Part Number | A Nom. ID | B Nom. OD | C Nom. Ht | INSIDE DIAMETER | OUTSIDE DIAMETER | C HEIGHT | CROSS SECTION | SPLIT TYPE | MATERIAL | List Price |
|-------------|-----------|-----------|-----------|-----------------|------------------|---|--|------------|----------|------------|
| MRT-110BZ | 104.8 | 110 | 6 | 104.80 | 110.00 | 6.00 ^{+0.00} / _{-0.10} | 2.60 ^{+0.00} / _{-0.07} | BUTTCUT | BRONZE | 94.06 |
| MRT-115ABZ | 108.8 | 115.1 | 6 | 108.80 | 115.10 | 6.00 ^{+0.00} / _{-0.07} | 3.15 ^{+0.00} / _{-0.07} | BUTTCUT | BRONZE | 79.68 |
| MRT-115B | 109 | 115 | 6 | 109.00 | 115.00 | 6.00 ± 0.13 | 3.00 ^{+0.00} / _{-0.07} | BUTTCUT | NYLON | 24.06 |
| MRT-120A | 109 | 119 | 8 | 108.50 | 118.50 | 8.00 ^{+0.00} / _{-0.13} | 5.00 ^{-0.01} / _{-0.07} | STEPCUT | PHENOLIC | 38.55 |
| MRT-115 | 110 | 115 | 6 | 109.80 | 115.00 | 6.00 ^{+0.00} / _{-0.13} | 2.60 ^{+0.00} / _{-0.08} | BUTTCUT | PHENOLIC | 24.26 |
| MRT-120B | 110 | 120 | 10 | 110.00 | 120.00 | 10.00 ^{+0.00} / _{-0.13} | 5.00 ^{-0.01} / _{-0.07} | STEPCUT | PHENOLIC | 38.55 |
| MRT-120BZ | 114.8 | 120 | 6 | 114.80 | 120.00 | 6.00 ^{+0.00} / _{-0.10} | 2.60 ^{+0.00} / _{-0.07} | BUTTCUT | BRONZE | 94.84 |
| MRT-120 | 115 | 120 | 6 | 115.00 | 120.00 | 6.00 ± 0.13 | 2.60 ^{+0.00} / _{-0.05} | BUTTCUT | PHENOLIC | 31.43 |
| MRT-128A | 116 | 128 | 10 | 116.00 | 128.00 | 10.00 ^{+0.00} / _{-0.13} | 6.00 ^{-0.01} / _{-0.07} | STEPCUT | PHENOLIC | 35.33 |
| MRT-131 | 119.3 | 131.3 | 10 | 119.30 | 131.30 | 10.00 ^{-0.01} / _{-0.14} | 6.00 ^{-0.01} / _{-0.07} | STEPCUT | PHENOLIC | 12.75 |
| MRT-134A | 122 | 134 | 10 | 122.00 | 134.00 | 10.00 ^{+0.00} / _{-0.13} | 6.00 ^{-0.01} / _{-0.07} | STEPCUT | PHENOLIC | 35.71 |