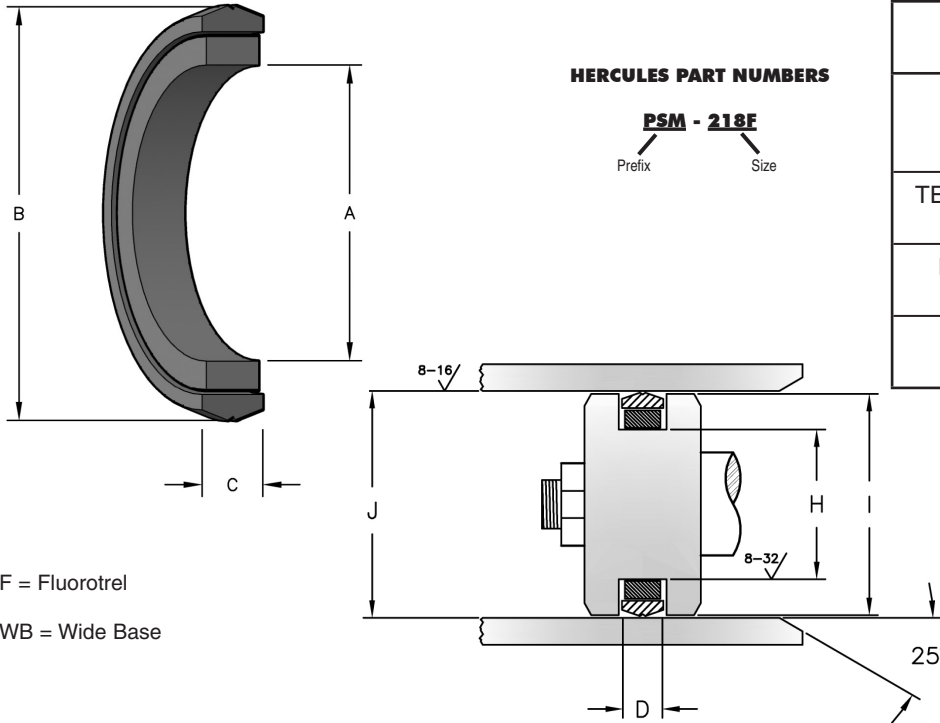


STYLE PSM URETHANE PISTON SEALS

Molded from 93 Shore A polyurethane with a 70 Shore A energizer, this seal utilizes the same groove dimensions as a standard o-ring or T-seal. One or two Style 575 back-up rings may be used for wider grooves. Extrusion resistant by design, this seal is also resistant to rolling and twisting. Installation is an easy two step snap-in procedure with no need to re-size before insertion into the bore. **NOTE:** Piston diameter "I" dimensions are given for pistons without wear rings.



SEAL INFORMATION	
MATERIAL	93A URETHANE SEAL 70A NITRILE ENERGIZER
TEMPERATURE RANGE	-40° TO +220° F
PRESSURE RANGE	0 TO 5,000 PSI
SPEED	3 FT/SEC

F = Fluorotrel

WB = Wide Base

Part Number	A Nom. ID	B Nom. OD	C Nom. Ht	O-RING DASH NUMBER	D GROOVE WIDTH	H GROOVE DIAMETER	I PISTON DIAMETER	J BORE DIAMETER	List Price
PSM-218F	1-1/4	1-1/2	.15	-218	.185 ^{+0.005} / _{+0.000}	1.254 ^{+0.000} / _{-.002}	1.498 ^{+0.000} / _{-.002}	1.500 ^{+0.002} / _{+0.000}	\$9.35
PSM-218	1-1/4	1-1/2	.165	-218	.187 ±0.002	1.258 ±0.002	1.498 ^{+0.000} / _{-.002}	1.500 ±0.002	7.15
PSM-218-WB	1-1/4	1-1/2	.265	-218	.275 ^{+0.005} / _{+0.000}	1.258 ^{+0.000} / _{-.002}	1.497 ^{+0.000} / _{-.001}	1.500 ^{+0.003} / _{+0.000}	9.42
PSM-222	1-1/2	1-3/4	.165	-222	.187 ±0.002	1.508 ±0.002	1.748 ^{+0.000} / _{-.002}	1.750 ±0.002	8.30
PSM-326	1-5/8	2	.265	-326	.281 ±0.002	1.630 ±0.002	1.998 ^{+0.000} / _{-.002}	2.000 ±0.002	9.73
PSM-326-WB	1-5/8	2	.395	-326	.410 ^{+0.005} / _{+0.000}	1.630 ^{+0.000} / _{-.003}	1.997 ^{+0.000} / _{-.001}	2.000 ^{+0.003} / _{+0.000}	12.03
PSM-328	1-7/8	2-1/4	.265	-328	.281 ±0.002	1.880 ±0.002	2.248 ^{+0.000} / _{-.002}	2.250 ±0.002	10.61
PSM-329	2	2-3/8	.265	-329	.281 ±0.002	2.005 ±0.002	2.373 ^{+0.000} / _{-.002}	2.375 ±0.002	10.61
PSM-330	2-1/8	2-1/2	.265	-330	.281 ±0.002	2.130 ±0.002	2.498 ^{+0.000} / _{-.002}	2.500 ±0.002	12.01
PSM-330-WB	2-1/8	2-1/2	.395	-330	.410 ^{+0.005} / _{+0.000}	2.130 ^{+0.000} / _{-.003}	2.497 ^{+0.000} / _{-.001}	2.500 ^{+0.003} / _{+0.000}	16.13
PSM-332	2-3/8	2-3/4	.265	-332	.281 ±0.002	2.380 ±0.002	2.747 ^{+0.000} / _{-.004}	2.750 ±0.002	12.94
PSM-48A	2-3/8	3	.235	N/A	.250 ^{+0.005} / _{+0.000}	2.380 ^{+0.000} / _{-.004}	2.997 ^{+0.000} / _{-.004}	3.000 ^{+0.004} / _{+0.000}	47.37
PSM-334	2-5/8	3	.265	-334	.281 ±0.002	2.630 ±0.002	2.997 ^{+0.000} / _{-.004}	3.000 ±0.002	14.34
PSM-334-WB	2-5/8	3	.395	-334	.410 ^{+0.005} / _{+0.000}	2.630 ^{+0.000} / _{-.004}	2.997 ^{+0.000} / _{-.001}	3.000 ^{+0.004} / _{+0.000}	18.68
PSM-336	2-7/8	3-1/4	.265	-336	.281 ±0.002	2.880 ±0.002	3.247 ^{+0.000} / _{-.004}	3.250 ±0.002	14.34

STYLE PSM URETHANE PISTON SEALS

Part Number	A Nom. ID	B Nom. OD	C Nom. Ht	O-RING DASH NUMBER	D GROOVE WIDTH	H GROOVE DIAMETER	I PISTON DIAMETER	J BORE DIAMETER	List Price
PSM-338	3-1/8	3-1/2	.265	-338	.281 ±.002	3.130 ±.002	3.498 ^{+.000} _{-.004}	3.500 ±.002	16.66
PSM-338-WB	3-1/8	3-1/2	.395	-338	.410 ^{+.005} _{+.000}	3.130 ^{+.000} _{-.004}	3.497 ^{+.000} _{-.001}	3.500 ^{+.004} _{+.000}	22.13
PSM-340	3-3/8	3-3/4	.265	-340	.281 ±.002	3.380 ^{-.008} _{-.002}	3.748 ^{+.000} _{-.004}	3.750 ±.002	18.50
PSM-342	3-5/8	4	.265	-342	.281 ±.002	3.630 ±.002	3.998 ^{+.000} _{-.004}	4.000 ±.002	21.22
PSM-342-WB	3-5/8	4	.395	-342	.410 ^{+.005} _{+.000}	3.630 ^{+.000} _{-.004}	3.997 ^{+.000} _{-.001}	4.000 ^{+.004} _{+.000}	26.80
PSM-344	3-7/8	4-1/4	.265	-344	.281 ±.002	3.880 ±.002	4.248 ^{+.000} _{-.004}	4.250 ±.002	23.10
PSM-346	4-1/8	4-1/2	.265	-346	.281 ±.002	4.130 ±.002	4.498 ^{+.000} _{-.004}	4.500 ±.002	23.97
PSM-425-WB	4-1/2	5	.518	-425	.538 ^{+.005} _{+.000}	4.528 ^{+.000} _{-.004}	4.997 ^{+.000} _{-.001}	5.000 ^{+.004} _{+.000}	40.34
PSM-350	4-5/8	5	.265	-350	.281 ±.002	4.630 ±.002	4.999 ^{+.000} _{-.004}	5.000 ±.002	34.09
PSM-429	5	5-1/2	.35	-429	.375 ±.002	5.028 ±.002	5.499 ^{+.000} _{-.004}	5.502 ±.002	40.11
PSM-433	5-1/2	6	.35	-433	.375 ±.002	5.528 ±.002	5.999 ^{+.000} _{-.004}	6.002 ±.002	43.89
PSM-433-WB	5-1/2	6	.518	-433	.538 ^{+.005} _{+.000}	5.528 ^{+.000} _{-.004}	5.997 ^{+.000} _{-.001}	6.000 ^{+.004} _{+.000}	54.64
PSM-437	6	6-1/2	.35	-437	.375 ±.002	6.028 ±.002	6.498 ^{+.000} _{-.006}	6.502 ±.002	46.59
PSM-439	6-1/2	7	.35	-439	.375 ±.002	6.528 ±.002	6.998 ^{+.000} _{-.006}	7.002 ±.002	49.79
PSM-441	7	7-1/2	.35	-441	.365 ^{+.006} _{+.000}	7.020 ^{+.000} _{-.006}	7.498 ^{+.000} _{-.006}	7.500 ^{+.006} _{+.000}	52.52
PSM-443	7-1/2	8	.35	-443	.365 ^{+.006} _{+.000}	7.520 ^{+.000} _{-.006}	7.998 ^{+.000} _{-.006}	8.000 ^{+.006} _{+.000}	55.36
PSM-445	8	8-1/2	.35	-445	.365 ^{+.006} _{+.000}	8.020 ^{+.000} _{-.006}	8.498 ^{+.000} _{-.006}	8.500 ^{+.006} _{+.000}	58.09
PSM-446	8-1/2	9	.35	-446	.365 ^{+.006} _{+.000}	8.520 ^{+.000} _{-.006}	8.998 ^{+.000} _{-.006}	9.000 ^{+.006} _{+.000}	58.09