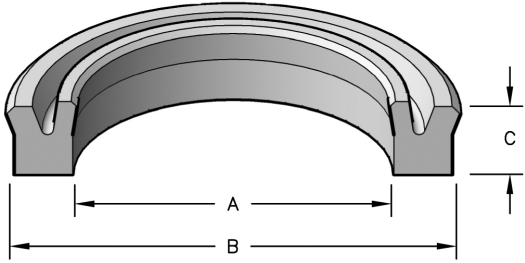


STYLE MPU PISTON SEALS

Molded from high quality urethane, the MPU is designed specifically for piston applications.

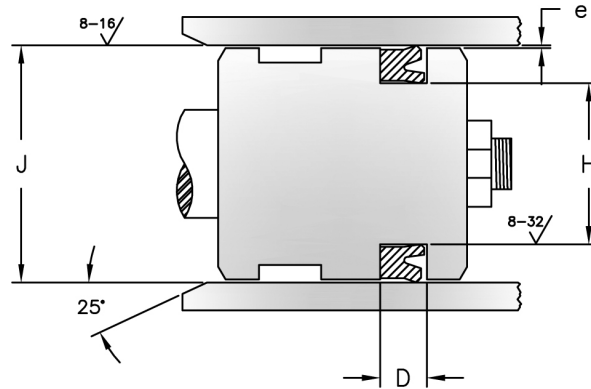


HERCULES PART NUMBERS

MPU - 15 X 25 X 8.2
 Type of Seal Inside Diameter Outside Diameter Height

A = Alternative to NOK

SEAL INFORMATION	
MATERIAL	URETHANE
TEMPERATURE RANGE	-22° TO +212° F
PRESSURE RANGE	0 TO 5,000 PSI
SPEED	3 FT/SEC



PISTON U-SEALS

Part Number	A Nom. ID	B Nom. OD	C Nom. Ht	D GROOVE WIDTH	H GROOVE DIAMETER	J BORE DIAMETER	List Price
MPU-15X25X8.2	15	25	8.2	9.00 +0.30 +0.00	15.00 +0.00 -0.07	25.00 +0.052 +0.000	\$9.85
MPU-17X25X5.7	17	25	5.7	6.30 +0.30 +0.00	17.00 +0.00 -0.07	25.00 +0.052 +0.000	10.40
MPU-24X32X5.7	24	32	5.7	6.30 +0.30 +0.00	24.00 +0.000 -0.084	32.00 +0.062 +0.000	10.40
MPU-25X35X7.3	25	35	7.3	8.00 +0.30 +0.00	25.00 +0.000 -0.084	35.00 +0.062 +0.000	11.31
MPU-21X37X11.8	21	37	11.8	13.00 +0.30 +0.00	21.00 +0.000 -0.084	37.00 +0.062 +0.000	12.13
MPU-30X40X7.3	30	40	7.3	8.00 +0.30 +0.00	30.00 +0.000 -0.084	40.00 +0.062 +0.000	11.31
MPU-35X45X6	35	45	6	7.00 +0.30 +0.00	35.00 +0.00 -0.10	45.00 +0.062 +0.000	15.10
MPU-35X45X7	35	45	7	8.00 +0.30 +0.00	35.00 +0.00 -0.10	45.00 +0.062 +0.000	8.96
MPU-32X50X10	32	50	10	11.00 +0.30 +0.00	32.00 +0.00 -0.10	50.00 +0.062 +0.000	10.24
MPU-40X50X6	40	50	6	7.00 +0.30 +0.00	40.00 +0.00 -0.10	50.00 +0.062 +0.000	17.39
MPU-40X50X7.3	40	50	7.3	8.00 +0.30 +0.00	40.00 +0.00 -0.10	50.00 +0.062 +0.000	15.75
MPU-45X55X6	45	55	6	7.00 +0.30 +0.00	45.00 +0.00 -0.10	55.00 +0.074 +0.000	16.71
MPU-45X55X7.3	45	55	7.3	8.00 +0.30 +0.00	45.00 +0.00 -0.10	55.00 +0.074 +0.000	15.75
MPU-45X60X10	45	60	10	11.00 +0.30 +0.00	45.00 +0.00 -0.10	60.00 +0.074 +0.000	14.00
MPU-50X60X6	50	60	6	7.00 +0.30 +0.00	50.00 +0.00 -0.10	60.00 +0.074 +0.000	16.76

STYLE MPU PISTON SEALS

Part Number	A Nom. ID	B Nom. OD	C Nom. Ht	D GROOVE WIDTH	H GROOVE DIAMETER	J BORE DIAMETER	List Price
MPU-50X60X7	50	60	7	8.00 ^{+0.30} / _{+0.00}	50.00 ^{+0.00} / _{-0.10}	60.00 ^{+0.074} / _{+0.000}	16.76
MPU-48X63X9-A	48	63	9	10.00 ^{+0.30} / _{+0.00}	48.00 ^{+0.00} / _{-0.10}	63.00 ^{+0.074} / _{+0.000}	4.78
MPU-48X63X11.4	48	63	11.4	12.50 ^{+0.30} / _{+0.00}	48.00 ^{+0.00} / _{-0.10}	63.00 ^{+0.074} / _{+0.000}	14.00
MPU-53X63X7	53	63	7	8.00 ^{+0.30} / _{+0.00}	53.00 ^{+0.00} / _{-0.12}	63.00 ^{+0.074} / _{+0.000}	12.18
MPU-53X63X7.3	53	63	7.3	8.00 ^{+0.30} / _{+0.00}	53.00 ^{+0.00} / _{-0.12}	63.00 ^{+0.074} / _{+0.000}	13.55
MPU-53X63X12	53	63	12	13.00 ^{+0.30} / _{+0.00}	53.00 ^{+0.00} / _{-0.12}	63.00 ^{+0.074} / _{+0.000}	11.38
MPU-50X65X10	50	65	10	11.00 ^{+0.30} / _{+0.00}	50.00 ^{+0.00} / _{-0.10}	65.00 ^{+0.074} / _{+0.000}	23.06
MPU-55X65X7	55	65	7	8.00 ^{+0.30} / _{+0.00}	55.00 ^{+0.00} / _{-0.12}	65.00 ^{+0.074} / _{+0.000}	6.03
MPU-50X70X12	50	70	12	13.00 ^{+0.30} / _{+0.00}	50.00 ^{+0.00} / _{-0.10}	70.00 ^{+0.074} / _{+0.000}	25.23
MPU-50X70X15	50	70	15	16.00 ^{+0.30} / _{+0.00}	50.00 ^{+0.00} / _{-0.10}	70.00 ^{+0.074} / _{+0.000}	12.18
MPU-55X70X9	55	70	9	10.00 ^{+0.30} / _{+0.00}	55.00 ^{+0.00} / _{-0.12}	70.00 ^{+0.074} / _{+0.000}	25.67
MPU-55X70X10	55	70	10	11.00 ^{+0.30} / _{+0.00}	55.00 ^{+0.00} / _{-0.12}	70.00 ^{+0.074} / _{+0.000}	17.59
MPU-60X70X6	60	70	6	7.00 ^{+0.30} / _{+0.00}	60.00 ^{+0.00} / _{-0.12}	70.00 ^{+0.074} / _{+0.000}	21.86
MPUN-60X70X6	60	70	6	7.00 ± 0.20	60.00 ^{+0.20} / _{+0.00}	70.00 ^{+0.074} / _{+0.000}	24.37
MPU-60X70X12	60	70	12	13.00 ^{+0.30} / _{+0.00}	60.00 ^{+0.00} / _{-0.12}	70.00 ^{+0.074} / _{+0.000}	8.43
MPU-61X71X6	61	71	6	7.00 ^{+0.30} / _{+0.00}	61.00 ^{+0.00} / _{-0.12}	71.00 ^{+0.074} / _{+0.000}	25.23
MPU-57X73X10	57	73	10	11.00 ^{+0.30} / _{+0.00}	57.00 ^{+0.00} / _{-0.12}	73.00 ^{+0.074} / _{+0.000}	24.08
MPU-65X75X6	65	75	6	7.00 ^{+0.30} / _{+0.00}	65.00 ^{+0.00} / _{-0.12}	75.00 ^{+0.074} / _{+0.000}	25.23
MPU-67X75X8.8	67	75	8.8	9.70 ^{+0.30} / _{+0.00}	67.00 ^{+0.00} / _{-0.12}	75.00 ^{+0.074} / _{+0.000}	14.92
MPU-62X78X10	62	78	10	11.00 ^{+0.30} / _{+0.00}	62.00 ^{+0.00} / _{-0.12}	78.00 ^{+0.074} / _{+0.000}	21.97
MPU-60X80X12	60	80	12	13.00 ^{+0.30} / _{+0.00}	60.00 ^{+0.00} / _{-0.12}	80.00 ^{+0.074} / _{+0.000}	46.48
MPU-65X80X9	65	80	9	10.00 ^{+0.30} / _{+0.00}	65.00 ^{+0.00} / _{-0.12}	80.00 ^{+0.074} / _{+0.000}	46.48
MPU-65X80X11.4	65	80	11.4	12.50 ^{+0.30} / _{+0.00}	65.00 ^{+0.00} / _{-0.12}	80.00 ^{+0.074} / _{+0.000}	26.54
MPU-65X80X12	65	80	12	13.00 ^{+0.30} / _{+0.00}	65.00 ^{+0.00} / _{-0.12}	80.00 ^{+0.074} / _{+0.000}	12.18
MPU-70X80X6	70	80	6	7.00 ^{+0.30} / _{+0.00}	70.00 ^{+0.00} / _{-0.12}	80.00 ^{+0.074} / _{+0.000}	37.70
MPU-70X80X6.8	70	80	6.8	7.50 ^{+0.30} / _{+0.00}	70.00 ^{+0.00} / _{-0.12}	80.00 ^{+0.074} / _{+0.000}	17.15
MPU-70X80X7	70	80	7	8.00 ^{+0.30} / _{+0.00}	70.00 ^{+0.00} / _{-0.12}	80.00 ^{+0.074} / _{+0.000}	10.24
MPU-70X90X12	70	90	12	13.00 ^{+0.30} / _{+0.00}	70.00 ^{+0.00} / _{-0.12}	90.00 ^{+0.087} / _{+0.000}	59.21
MPU-75X90X9	75	90	9	10.00 ^{+0.30} / _{+0.00}	75.00 ^{+0.00} / _{-0.12}	90.00 ^{+0.087} / _{+0.000}	30.84
MPU-80X90X6	80	90	6	7.00 ^{+0.30} / _{+0.00}	80.00 ^{+0.00} / _{-0.12}	90.00 ^{+0.087} / _{+0.000}	44.43
MPU-75X100X18	75	100	18	19.00 ^{+0.30} / _{+0.00}	75.00 ^{-0.030} / _{-0.076}	100.00 ^{+0.087} / _{+0.000}	30.24
MPU-80X100X12	80	100	12	13.00 ^{+0.30} / _{+0.00}	80.00 ^{+0.00} / _{-0.12}	100.00 ^{+0.087} / _{+0.000}	43.44
MPU-85X100X9	85	100	9	10.00 ^{+0.30} / _{+0.00}	85.00 ^{+0.00} / _{-0.14}	100.00 ^{+0.087} / _{+0.000}	38.80

STYLE MPU PISTON SEALS

Part Number	A Nom. ID	B Nom. OD	C Nom. Ht	D GROOVE WIDTH	H GROOVE DIAMETER	J BORE DIAMETER	List Price
MPU-85X100X11.4	85	100	11.4	12.50 ^{+0.30} / _{+0.00}	85.00 ^{+0.00} / _{-0.14}	100.00 ^{+0.087} / _{+0.000}	25.32
MPU-90X100X6.8	90	100	6.8	7.50 ^{+0.30} / _{+0.00}	90.00 ^{+0.00} / _{-0.14}	100.00 ^{+0.087} / _{+0.000}	22.44
MPU-85X105X15	85	105	15	16.00 ^{+0.30} / _{+0.00}	85.00 ^{+0.00} / _{-0.14}	105.00 ^{+0.087} / _{+0.000}	46.94
MPU-90X110X12	90	110	12	13.00 ^{+0.30} / _{+0.00}	90.00 ^{+0.00} / _{-0.14}	110.00 ^{+0.087} / _{+0.000}	48.42
MPU-100X110X8	100	110	8	9.00 ^{+0.30} / _{+0.00}	100.00 ^{+0.00} / _{-0.14}	110.00 ^{+0.087} / _{+0.000}	48.42
MPU-100X120X15	100	120	15	16.00 ^{+0.30} / _{+0.00}	100.00 ^{+0.00} / _{-0.14}	120.00 ^{+0.10} / _{+0.00}	47.70
MPU-105X125X14.5	105	125	14.5	16.00 ^{+0.30} / _{+0.00}	105.00 ^{+0.00} / _{-0.14}	125.00 ^{+0.10} / _{+0.00}	53.69
MPU-115X125X15	115	125	15	16.00 ^{+0.30} / _{+0.00}	115.00 ^{+0.00} / _{-0.14}	125.00 ^{+0.10} / _{+0.00}	17.87
MPU-120X140X16	120	140	16	17.00 ^{+0.30} / _{+0.00}	120.00 ^{+79.964} / _{-0.090}	140.00 ^{+0.10} / _{+0.00}	66.30
MPU-130X150X14.5	130	150	14.5	16.00 ^{+0.30} / _{+0.00}	130.00 ^{+0.00} / _{-0.16}	150.00 ^{+0.10} / _{+0.00}	64.08
MPU-140X150X13.6	140	150	13.6	15.00 ^{+0.30} / _{+0.00}	140.00 ^{+0.00} / _{-0.16}	150.00 ^{+0.10} / _{+0.00}	49.53
MPU-140X160X18.2	140	160	18.2	20.00 ^{+0.30} / _{+0.00}	140.00 ^{+0.00} / _{-0.16}	160.00 ^{+0.10} / _{+0.00}	67.91
MPU-180X200X14.5	180	200	14.5	16.00 ^{+0.30} / _{+0.00}	180.00 ^{+0.00} / _{-0.16}	200.00 ^{+0.115} / _{+0.000}	84.99

Seal color may vary. Special order sizes are available. Sizes not shown and out of stock items can also be ordered for next day delivery through Seals On Demand, our custom seal program. Please call your regional sales team for assistance.