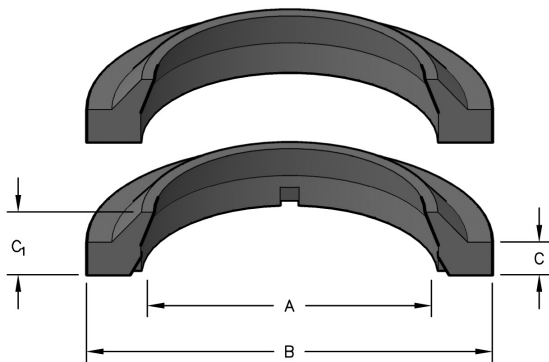


STYLE AN URETHANE WIPER RINGS

Suffix "SH" designates slotted heel design, "V" designates fluorocarbon material, and "B" designates carboxilated nitrile material.

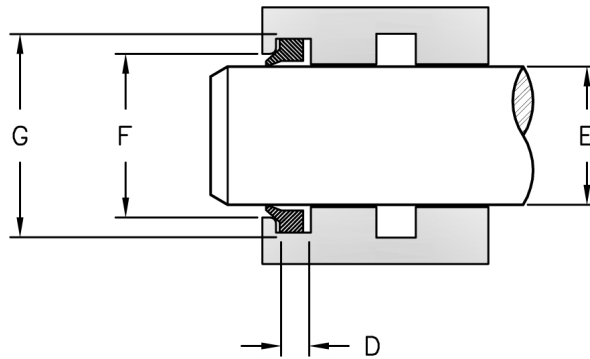


HERCULES PART NUMBERS

AN - 01
Prefix Size

SEAL INFORMATION

MATERIAL	90A URETHANE
TEMPERATURE RANGE	-40° TO +200° F
SPEED	3 FT/SEC



Part Number	A Nom. ID	B Nom. OD	C Nom. Ht	C ₁ OVERALL HEIGHT	D GROOVE WIDTH	E ROD DIAMETER	F THROAT DIAMETER	G HOUSING DIAMETER	th THICKNESS	List Price
AN-01	1/2	3/4	7/64	.187	.107 ±.003	.500 ^{+0.000} _{-.002}	.647 ^{+0.005} _{+.000}	.760 ^{+0.004} _{+.000}	.104	\$ 1.33
AN-01-SH	1/2	3/4	7/64	.187	.107 ±.003	.500 ^{+0.000} _{-.002}	.647 ^{+0.005} _{+.000}	.760 ^{+0.004} _{+.000}	.104	1.33
AN-02	9/16	13/16	7/64	.187	.107 ±.003	.562 ^{+0.000} _{-.002}	.710 ^{+0.005} _{+.000}	.823 ^{+0.004} _{+.000}	.104	1.33
AN-03	5/8	7/8	7/64	.187	.107 ±.003	.625 ^{+0.000} _{-.002}	.772 ^{+0.005} _{+.000}	.885 ^{+0.004} _{+.000}	.104	1.33
AN-03-SH	5/8	7/8	7/64	.187	.107 ±.003	.625 ^{+0.000} _{-.002}	.772 ^{+0.005} _{+.000}	.885 ^{+0.004} _{+.000}	.104	1.33
AN-04	11/16	15/16	7/64	.187	.107 ±.003	.687 ^{+0.000} _{-.002}	.834 ^{+0.005} _{+.000}	.948 ^{+0.004} _{+.000}	.104	1.33
AN-05	3/4	1	7/64	.187	.107 ±.003	.750 ^{+0.000} _{-.002}	.897 ^{+0.005} _{+.000}	1.010 ^{+0.004} _{+.000}	.104	1.33
AN-05-N	3/4	1	7/64	.187	.107 ±.003	.750 ^{+0.000} _{-.002}	.897 ^{+0.005} _{+.000}	1.010 ^{+0.004} _{+.000}	.104	3.78
AN-05-SH	3/4	1	7/64	.187	.107 ±.003	.750 ^{+0.000} _{-.002}	.897 ^{+0.005} _{+.000}	1.010 ^{+0.004} _{+.000}	.104	1.33
AN-05V	3/4	1	7/64	.187	.107 ±.003	.750 ^{+0.000} _{-.002}	.897 ^{+0.005} _{+.000}	1.010 ^{+0.004} _{+.000}	.104	11.58
AN-06	13/16	1-1/16	7/64	.187	.107 ±.003	.812 ^{+0.000} _{-.002}	.960 ^{+0.005} _{+.000}	1.084 ^{+0.004} _{+.000}	.104	1.42
AN-06-SH	13/16	1-1/16	7/64	.187	.107 ±.003	.812 ^{+0.000} _{-.002}	.960 ^{+0.005} _{+.000}	1.084 ^{+0.004} _{+.000}	.104	1.42
AN-07	7/8	1-1/8	7/64	.187	.107 ±.003	.875 ^{+0.000} _{-.002}	1.023 ^{+0.005} _{+.000}	1.147 ^{+0.004} _{+.000}	.104	1.42
AN-07-SH	7/8	1-1/8	7/64	.187	.107 ±.003	.875 ^{+0.000} _{-.002}	1.023 ^{+0.005} _{+.000}	1.147 ^{+0.004} _{+.000}	.104	1.42

STYLE AN URETHANE WIPER RINGS

WIPER RINGS

Part Number	A Nom. ID	B Nom. OD	C Nom. Ht	C ₁ OVERALL HEIGHT	D GROOVE WIDTH	E ROD DIAMETER	F THROAT DIAMETER	G HOUSING DIAMETER	th THICKNESS	List Price
AN-07A	7/8	1-1/8	7/64	.140	.107 ±.003	.875 ^{+0.00} _{-.002}	1.023 ^{+0.005} _{+0.000}	1.118 ^{+0.004} _{+0.000}	.104	2.84
AN-07A-T	7/8	1-1/8	7/64	.140	.107 ±.003	.875 ^{+0.00} _{-.002}	1.023 ^{+0.005} _{+0.000}	1.118 ^{+0.004} _{+0.000}	.104	17.02
AN-07-XL	7/8	1.147	.104	.187	.107 ^{+0.003} _{+0.000}	.875 ^{-0.0008} _{-.0028}	1.023 ^{+0.005} _{+0.000}	1.147 ^{+0.004} _{+0.000}	.104	1.42
AN-08	15/16	1-3/16	7/64	.187	.107 ±.003	.937 ^{+0.00} _{-.002}	1.085 ^{+0.005} _{+0.000}	1.209 ^{+0.004} _{+0.000}	.104	1.42
AN-09	1	1-1/4	7/64	.187	.107 ±.003	1.000 ^{+0.00} _{-.002}	1.148 ^{+0.005} _{+0.000}	1.272 ^{+0.004} _{+0.000}	.104	1.42
AN-09-SH	1	1-1/4	7/64	.187	.107 ±.003	1.000 ^{+0.00} _{-.002}	1.148 ^{+0.005} _{+0.000}	1.272 ^{+0.004} _{+0.000}	.104	1.42
AN-09B	1	1-1/4	7/64	.187	.107 ±.003	1.000 ^{+0.00} _{-.002}	.148 ^{+0.005} _{+0.000}	1.272 ^{+0.004} _{+0.000}	.104	3.90
AN-09V	1	1-1/4	7/64	.187	.107 ±.003	1.000 ^{+0.00} _{-.002}	1.148 ^{+0.005} _{+0.000}	1.272 ^{+0.004} _{+0.000}	.104	18.52
AN-10	1-1/16	1-5/16	7/64	.187	.107 ±.003	1.062 ^{+0.00} _{-.002}	1.210 ^{+0.005} _{+0.000}	1.334 ^{+0.004} _{+0.000}	.104	1.42
AN-11	1-1/8	1-3/8	7/64	.187	.107 ±.003	1.125 ^{+0.00} _{-.002}	1.273 ^{+0.005} _{+0.000}	1.397 ^{+0.004} _{+0.000}	.104	1.48
AN-11-SH	1-1/8	1-3/8	7/64	.187	.107 ±.003	1.125 ^{+0.00} _{-.002}	1.273 ^{+0.005} _{+0.000}	1.397 ^{+0.004} _{+0.000}	.104	1.48
AN-12	1-3/16	1-7/16	7/64	.187	.107 ±.003	1.187 ^{+0.00} _{-.002}	1.335 ^{+0.005} _{+0.000}	1.459 ^{+0.004} _{+0.000}	.104	1.48
AN-13B	1-1/4	1-1/2	.104	.150	.107 ±.003	1.250 ^{+0.00} _{-.002}	1.398 ^{+0.005} _{+0.000}	1.522 ^{+0.004} _{+0.000}	.104	8.60
AN-13	1-1/4	1-1/2	7/64	.187	.107 ±.003	1.250 ^{+0.00} _{-.002}	1.398 ^{+0.005} _{+0.000}	1.522 ^{+0.004} _{+0.000}	.104	1.53
AN-13-SH	1-1/4	1-1/2	7/64	.187	.107 ±.003	1.250 ^{+0.00} _{-.002}	1.398 ^{+0.005} _{+0.000}	1.522 ^{+0.004} _{+0.000}	.104	1.53
AN-13V	1-1/4	1-1/2	7/64	.187	.107 ±.003	1.250 ^{+0.00} _{-.002}	1.398 ^{+0.005} _{+0.000}	1.522 ^{+0.004} _{+0.000}	.104	13.36
AN-14	1-5/16	1-5/8	7/64	.187	.107 ±.003	1.312 ^{+0.00} _{-.002}	1.480 ^{+0.005} _{+0.000}	1.614 ^{+0.004} _{+0.000}	.104	1.53
AN-15	1-3/8	1-11/16	7/64	.187	.107 ±.003	1.375 ^{+0.00} _{-.002}	1.542 ^{+0.005} _{+0.000}	1.677 ^{+0.004} _{+0.000}	.104	2.04
AN-15-SH	1-3/8	1-11/16	7/64	.187	.107 ±.003	1.375 ^{+0.00} _{-.002}	1.542 ^{+0.005} _{+0.000}	1.677 ^{+0.004} _{+0.000}	.104	2.04
AN-15V	1-3/8	1-11/16	7/64	.187	.107 ±.003	1.375 ^{+0.00} _{-.002}	1.542 ^{+0.005} _{+0.000}	1.677 ^{+0.004} _{+0.000}	.104	19.79
AN-16	1-7/16	1-3/4	7/64	.187	.107 ±.003	1.437 ^{+0.00} _{-.002}	1.605 ^{+0.005} _{+0.000}	1.739 ^{+0.004} _{+0.000}	.104	2.26
AN-17A	1-1/2	1-3/4	7/64	.140	.107 ±.003	1.500 ^{+0.00} _{-.002}	1.668 ^{+0.005} _{+0.000}	1.738 ^{+0.005} _{+0.000}	.104	4.56
AN-17	1-1/2	1-13/16	7/64	.187	.107 ±.003	1.500 ^{+0.00} _{-.002}	1.668 ^{+0.005} _{+0.000}	1.802 ^{+0.004} _{+0.000}	.104	2.29
AN-17-SH	1-1/2	1-13/16	7/64	.187	.107 ±.003	1.500 ^{+0.00} _{-.002}	1.668 ^{+0.005} _{+0.000}	1.802 ^{+0.004} _{+0.000}	.104	2.29
AN-17V	1-1/2	1-13/16	7/64	.187	.107 ±.003	1.500 ^{+0.00} _{-.002}	1.668 ^{+0.005} _{+0.000}	1.802 ^{+0.004} _{+0.000}	.104	16.33
AN-18	1-5/8	1-15/16	7/64	.187	.107 ±.003	1.625 ^{+0.00} _{-.002}	1.793 ^{+0.005} _{+0.000}	1.927 ^{+0.004} _{+0.000}	.104	2.39
AN-18-SH	1-5/8	1-15/16	7/64	.187	.107 ±.003	1.625 ^{+0.00} _{-.002}	1.793 ^{+0.005} _{+0.000}	1.927 ^{+0.004} _{+0.000}	.104	2.39
AN-19-XL	1-3/4	2.052	.107	.187	.107 ^{+0.003} _{+0.000}	1.750 ^{-0.01} _{-.003}	1.918 ^{+0.005} _{+0.000}	2.052 ^{+0.004} _{+0.000}	.104	2.51
AN-19	1-3/4	2-1/16	7/64	.187	.107 ±.003	1.750 ^{+0.00} _{-.002}	1.918 ^{+0.005} _{+0.000}	2.052 ^{+0.004} _{+0.000}	.104	2.39
AN-19-SH	1-3/4	2-1/16	7/64	.187	.107 ±.003	1.750 ^{+0.00} _{-.002}	1.918 ^{+0.005} _{+0.000}	2.052 ^{+0.004} _{+0.000}	.104	2.39

STYLE AN URETHANE WIPER RINGS

WIPER RINGS

Part Number	A Nom. ID	B Nom. OD	C Nom. Ht	C ₁ OVERALL HEIGHT	D GROOVE WIDTH	E ROD DIAMETER	F THROAT DIAMETER	G HOUSING DIAMETER	th THICKNESS	List Price
AN-20	1-7/8	2-1/8	7/64	.187	.107 ±.003	1.875 ^{+0.00} _{-.002}	2.043 ^{+0.005} _{+0.000}	2.117 ^{+0.004} _{+0.000}	.104	2.44
AN-21	2	2-5/16	7/64	.187	.107 ±.003	2.000 ^{+0.00} _{-.002}	2.178 ^{+0.005} _{+0.000}	2.302 ^{+0.004} _{+0.000}	.104	2.44
AN-21-SH	2	2-5/16	7/64	.187	.107 ±.003	2.000 ^{+0.00} _{-.002}	2.178 ^{+0.005} _{+0.000}	2.302 ^{+0.004} _{+0.000}	.104	2.44
AN-21V	2	2-5/16	7/64	.187	.107 ±.003	2.000 ^{+0.00} _{-.002}	2.178 ^{+0.005} _{+0.000}	2.302 ^{+0.004} _{+0.000}	.104	20.56
AN-22	2-1/8	2-7/16	7/64	.187	.107 ±.003	2.125 ^{+0.00} _{-.003}	2.303 ^{+0.005} _{+0.000}	2.427 ^{+0.004} _{+0.000}	.104	2.50
AN-22-SH	2-1/8	2-7/16	7/64	.187	.107 ±.003	2.125 ^{+0.00} _{-.003}	2.303 ^{+0.005} _{+0.000}	2.427 ^{+0.004} _{+0.000}	.104	2.50
AN-23	2-1/4	2-9/16	7/64	.187	.107 ±.003	2.250 ^{+0.00} _{-.003}	2.428 ^{+0.005} _{+0.000}	2.552 ^{+0.004} _{+0.000}	.104	2.59
AN-23-SH	2-1/4	2-9/16	7/64	.187	.107 ±.003	2.250 ^{+0.00} _{-.003}	2.428 ^{+0.005} _{+0.000}	2.552 ^{+0.004} _{+0.000}	.104	2.59
AN-23B	2-1/4	2-9/16	7/64	.187	.107 ±.003	2.250 ^{+0.000} _{-.0029}	2.428 ^{+0.005} _{+0.000}	2.552 ^{+0.004} _{+0.000}	.104	14.28
AN-24	2-3/8	2-11/16	7/64	.187	.107 ±.003	2.375 ^{+0.00} _{-.003}	2.553 ^{+0.005} _{+0.000}	2.677 ^{+0.004} _{+0.000}	.104	2.68
AN-25	2-1/2	2-13/16	7/64	.187	.107 ±.003	2.500 ^{+0.00} _{-.003}	2.678 ^{+0.005} _{+0.000}	2.802 ^{+0.004} _{+0.000}	.104	2.93
AN-25-SH	2-1/2	2-13/16	7/64	.187	.107 ±.003	2.500 ^{+0.00} _{-.003}	2.678 ^{+0.005} _{+0.000}	2.802 ^{+0.004} _{+0.000}	.104	2.35
AN-25V	2-1/2	2-13/16	7/64	.187	.107 ±.003	2.500 ^{+0.00} _{-.003}	2.678 ^{+0.005} _{+0.000}	2.802 ^{+0.004} _{+0.000}	.104	18.54
AN-26	2-5/8	3	1/8	.211	.122 ±.003	2.625 ^{+0.00} _{-.003}	2.834 ^{+0.005} _{+0.000}	2.989 ^{+0.004} _{+0.000}	.119	3.00
AN-26-SH	2-5/8	3	1/8	.211	.122 ±.003	2.625 ^{+0.00} _{-.003}	2.834 ^{+0.005} _{+0.000}	2.989 ^{+0.004} _{+0.000}	.119	3.00
AN-27	2-3/4	3-1/8	1/8	.211	.122 ±.003	2.750 ^{+0.00} _{-.003}	2.959 ^{+0.005} _{+0.000}	3.114 ^{+0.004} _{+0.000}	.119	3.10
AN-27-SH	2-3/4	3-1/8	1/8	.211	.122 ±.003	2.750 ^{+0.00} _{-.003}	2.959 ^{+0.005} _{+0.000}	3.114 ^{+0.004} _{+0.000}	.119	3.10
AN-28	2-7/8	3-1/4	1/8	.211	.122 ±.003	2.875 ^{+0.00} _{-.003}	3.084 ^{+0.005} _{+0.000}	3.239 ^{+0.004} _{+0.000}	.119	3.61
AN-28-SH	2-7/8	3-1/4	1/8	.211	.122 ±.003	2.875 ^{+0.00} _{-.003}	3.084 ^{+0.005} _{+0.000}	3.239 ^{+0.004} _{+0.000}	.119	3.61
AN-29	3	3-3/8	1/8	.211	.122 ±.003	3.000 ^{+0.00} _{-.003}	3.209 ^{+0.005} _{+0.000}	3.364 ^{+0.004} _{+0.000}	.119	3.61
AN-29-SH	3	3-3/8	1/8	.211	.122 ±.003	3.000 ^{+0.00} _{-.003}	3.209 ^{+0.005} _{+0.000}	3.364 ^{+0.004} _{+0.000}	.119	3.61
AN-30	3-1/8	3-1/2	1/8	.211	.122 ±.003	3.125 ^{+0.00} _{-.003}	3.334 ^{+0.005} _{+0.000}	3.489 ^{+0.004} _{+0.000}	.119	3.61
AN-31	3-1/4	3-5/8	1/8	.211	.122 ±.003	3.250 ^{+0.00} _{-.003}	3.459 ^{+0.005} _{+0.000}	3.614 ^{+0.004} _{+0.000}	.119	4.24
AN-31-SH	3-1/4	3-5/8	1/8	.211	.122 ±.003	3.250 ^{+0.00} _{-.003}	3.459 ^{+0.005} _{+0.000}	3.614 ^{+0.004} _{+0.000}	.119	4.74
AN-32	3-3/8	3-3/4	1/8	.211	.122 ±.003	3.375 ^{+0.00} _{-.003}	3.584 ^{+0.005} _{+0.000}	3.739 ^{+0.004} _{+0.000}	.119	4.28
AN-33	3-1/2	3-7/8	1/8	.211	.122 ±.003	3.500 ^{+0.00} _{-.003}	3.709 ^{+0.005} _{+0.000}	3.864 ^{+0.004} _{+0.000}	.119	4.35
AN-33-SH	3-1/2	3-7/8	1/8	.211	.122 ±.003	3.500 ^{+0.00} _{-.003}	3.709 ^{+0.005} _{+0.000}	3.864 ^{+0.004} _{+0.000}	.119	4.35
AN-34	3-5/8	4	1/8	.211	.122 ±.003	3.625 ^{+0.00} _{-.003}	3.834 ^{+0.005} _{+0.000}	3.989 ^{+0.004} _{+0.000}	.119	4.42
AN-35	3-3/4	4-1/8	1/8	.211	.122 ±.003	3.750 ^{+0.00} _{-.003}	3.959 ^{+0.005} _{+0.000}	4.114 ^{+0.004} _{+0.000}	.119	4.60
AN-35-SH	3-3/4	4-1/8	1/8	.211	.122 ±.003	3.750 ^{+0.00} _{-.003}	3.959 ^{+0.005} _{+0.000}	4.114 ^{+0.004} _{+0.000}	.119	4.60

STYLE AN URETHANE WIPER RINGS

WIPER RINGS

Part Number	A Nom. ID	B Nom. OD	C Nom. Ht	C ₁ OVERALL HEIGHT	D GROOVE WIDTH	E ROD DIAMETER	F THROAT DIAMETER	G HOUSING DIAMETER	th THICKNESS	List Price
AN-36	3-7/8	4-1/4	1/8	.211	.122 ±.003	3.875 ^{+0.00} _{-.003}	4.084 ^{+0.005} _{+0.000}	4.239 ^{+0.004} _{+0.000}	.119	4.70
AN-37	4	4-7/16	9/64	.238	.138 ±.003	4.000 ^{+0.00} _{-.003}	4.240 ^{+0.005} _{+0.000}	4.427 ^{+0.004} _{+0.000}	.135	4.84
AN-37-SH	4	4-7/16	9/64	.238	.138 ±.003	4.000 ^{+0.00} _{-.003}	4.240 ^{+0.005} _{+0.000}	4.427 ^{+0.004} _{+0.000}	.135	4.84
AN-37V	4	4-7/16	9/64	.238	.138 ±.003	4.000 ^{+0.00} _{-.003}	4.240 ^{+0.005} _{+0.000}	4.427 ^{+0.004} _{+0.000}	.135	32.81
AN-38	4-1/8	4-9/16	9/64	.238	.138 ±.003	4.125 ^{+0.00} _{-.003}	4.365 ^{+0.005} _{+0.000}	4.552 ^{+0.004} _{+0.000}	.135	4.99
AN-39	4-1/4	4-11/16	9/64	.238	.138 ±.003	4.250 ^{+0.00} _{-.003}	4.490 ^{+0.005} _{+0.000}	4.677 ^{+0.004} _{+0.000}	.135	5.11
AN-40	4-3/8	4-3/8	9/64	.238	.138 ±.003	4.375 ^{+0.00} _{-.003}	4.615 ^{+0.005} _{+0.000}	4.372 ^{+0.004} _{+0.000}	.135	5.19
AN-41	4-1/2	4-15/16	9/64	.238	.138 ±.003	4.500 ^{+0.00} _{-.003}	4.740 ^{+0.005} _{+0.000}	4.927 ^{+0.004} _{+0.000}	.135	5.25
AN-41-SH	4-1/2	4-15/16	9/64	.238	.138 ±.003	4.500 ^{+0.00} _{-.003}	4.740 ^{+0.005} _{+0.000}	4.927 ^{+0.004} _{+0.000}	.135	7.33
AN-42	4-5/8	5-1/16	9/64	.238	.138 ±.003	4.625 ^{+0.00} _{-.003}	4.865 ^{+0.005} _{+0.000}	5.052 ^{+0.004} _{+0.000}	.135	5.29
AN-43	4-3/4	5-3/16	9/64	.238	.138 ±.003	4.750 ^{+0.00} _{-.003}	4.990 ^{+0.005} _{+0.000}	5.177 ^{+0.004} _{+0.000}	.135	5.46
AN-44	4-7/8	5-5/16	9/64	.238	.138 ±.003	4.875 ^{+0.00} _{-.003}	5.115 ^{+0.005} _{+0.000}	5.302 ^{+0.004} _{+0.000}	.135	5.58
AN-45	5	5-7/16	9/64	.238	.138 ±.003	5.000 ^{+0.00} _{-.003}	5.240 ^{+0.005} _{+0.000}	5.427 ^{+0.004} _{+0.000}	.135	6.44
AN-45-SH	5	5-7/16	9/64	.238	.138 ±.003	5.000 ^{+0.00} _{-.003}	5.240 ^{+0.005} _{+0.000}	5.427 ^{+0.004} _{+0.000}	.135	6.44
AN-46	5-1/8	5-9/16	9/64	.238	.138 ±.003	5.125 ^{+0.00} _{-.003}	5.365 ^{+0.005} _{+0.000}	5.552 ^{+0.004} _{+0.000}	.135	6.53
AN-47	5-1/4	5-11/16	9/64	.238	.138 ±.003	5.250 ^{+0.00} _{-.003}	5.490 ^{+0.005} _{+0.000}	5.677 ^{+0.004} _{+0.000}	.135	6.53
AN-48	5-3/8	5-13/16	9/64	.238	.138 ±.003	5.375 ^{+0.00} _{-.003}	5.615 ^{+0.005} _{+0.000}	5.802 ^{+0.004} _{+0.000}	.135	6.62
AN-49	5-1/2	5-15/16	9/64	.238	.138 ±.003	5.500 ^{+0.00} _{-.003}	5.740 ^{+0.005} _{+0.000}	5.927 ^{+0.004} _{+0.000}	.135	6.74
AN-50	5-5/8	6-1/8	5/32	.264	.154 ±.003	5.625 ^{+0.00} _{-.003}	5.896 ^{+0.005} _{+0.000}	6.114 ^{+0.004} _{+0.000}	.151	7.39
AN-51	5-3/4	6-1/4	5/32	.264	.154 ±.003	5.750 ^{+0.00} _{-.003}	6.022 ^{+0.005} _{+0.000}	6.239 ^{+0.004} _{+0.000}	.151	7.82
AN-52	5-7/8	6-3/8	5/32	.264	.154 ±.003	5.875 ^{+0.00} _{-.003}	6.146 ^{+0.005} _{+0.000}	6.364 ^{+0.004} _{+0.000}	.151	7.95
AN-53	6	6-1/2	5/32	.264	.154 ±.003	6.000 ^{+0.00} _{-.003}	6.272 ^{+0.005} _{+0.000}	6.489 ^{+0.004} _{+0.000}	.151	8.19
AN-54	6-1/4	6-3/4	5/32	.264	.154 ±.003	6.250 ^{+0.00} _{-.003}	6.522 ^{+0.005} _{+0.000}	6.739 ^{+0.004} _{+0.000}	.151	8.47
AN-55	6-1/2	7	5/32	.264	.154 ±.003	6.500 ^{+0.00} _{-.004}	6.772 ^{+0.005} _{+0.000}	6.989 ^{+0.005} _{+0.000}	.151	8.65
AN-56	6-3/4	7-1/4	5/32	.264	.154 ±.003	6.750 ^{+0.00} _{-.004}	7.022 ^{+0.005} _{+0.000}	7.239 ^{+0.005} _{+0.000}	.151	8.81
AN-57	7	7-1/2	5/32	.264	.154 ±.003	7.000 ^{+0.00} _{-.004}	7.272 ^{+0.005} _{+0.000}	7.489 ^{+0.005} _{+0.000}	.151	9.05
AN-58	7-1/4	7-3/4	5/32	.264	.154 ±.003	7.250 ^{+0.00} _{-.004}	7.522 ^{+0.005} _{+0.000}	7.739 ^{+0.005} _{+0.000}	.151	10.32
AN-59	7-1/2	8	5/32	.264	.154 ±.003	7.500 ^{+0.00} _{-.004}	7.772 ^{+0.005} _{+0.000}	7.989 ^{+0.005} _{+0.000}	.151	12.48
AN-60	7-3/4	8-1/4	5/32	.264	.154 ±.003	7.750 ^{+0.00} _{-.004}	8.022 ^{+0.005} _{+0.000}	8.239 ^{+0.005} _{+0.000}	.151	13.25
AN-61	8	8-1/2	5/32	.264	.154 ±.003	8.000 ^{+0.00} _{-.004}	8.272 ^{+0.005} _{+0.000}	8.489 ^{+0.005} _{+0.000}	.151	12.53

STYLE AN URETHANE WIPER RINGS

Part Number	A Nom. ID	B Nom. OD	C Nom. Ht	C ₁ OVERALL HEIGHT	D GROOVE WIDTH	E ROD DIAMETER	F THROAT DIAMETER	G HOUSING DIAMETER	th THICKNESS	List Price
AN-62	8-1/2	9	5/32	.264	.154 ±.003	8.500 ^{+0.000} _{-.004}	8.772 ^{+0.005} _{+0.000}	8.989 ^{+0.005} _{+0.000}	.151	12.53
AN-63	9	9-1/2	5/32	.264	.154 ±.003	9.000 ^{+0.000} _{-.005}	9.272 ^{+0.010} _{+0.000}	9.489 ^{+0.005} _{+0.000}	.151	14.95
AN-E9-1/4	9-1/4	9-3/4	5/32	.264	.154 ±.003	9.250 ^{+0.000} _{-.002}	9.522 ^{+0.005} _{+0.000}	9.739 ^{+0.004} _{+0.000}	.151	29.34
AN-64	9-1/2	10	5/32	.264	.154 ±.003	9.500 ^{+0.000} _{-.005}	9.772 ^{+0.010} _{+0.000}	9.989 ^{+0.005} _{+0.000}	.151	15.15
AN-65	10	10-1/2	5/32	.264	.154 ±.003	10.000 ^{+0.000} _{-.005}	10.272 ^{+0.010} _{+0.000}	10.489 ^{+0.005} _{+0.000}	.151	15.49
AN-66	10-1/2	11	5/32	.264	.154 ±.003	10.500 ^{+0.000} _{-.005}	10.772 ^{+0.010} _{+0.000}	10.989 ^{+0.005} _{+0.000}	.151	17.55
AN-67	11	11-1/2	5/32	.264	.154 ±.003	11.000 ^{+0.000} _{-.005}	11.272 ^{+0.010} _{+0.000}	11.489 ^{+0.005} _{+0.000}	.151	19.89
AN-69	12	12-1/2	11/64	.289	.169 ±.003	12.000 ^{+0.000} _{-.005}	12.272 ^{+0.010} _{+0.000}	12.489 ^{+0.005} _{+0.000}	.166	90.77

Seal color may vary. Special order sizes are available. Sizes not shown and out of stock items can also be ordered for next day delivery through Seals On Demand, our custom seal program. Please call your regional sales team for assistance.