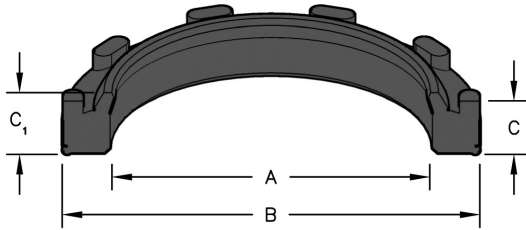


STYLE MCK53 CUSHION SEALS

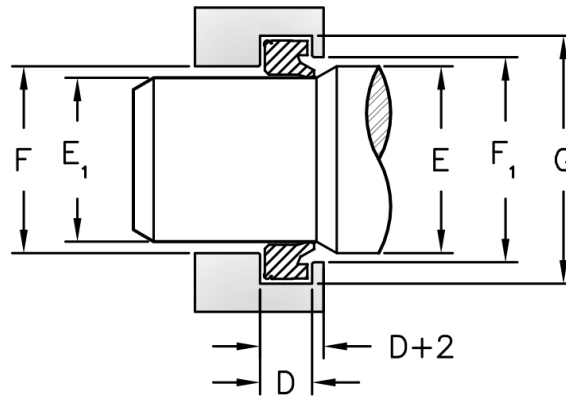
Molded in 92A urethane, the MCK53 is a pneumatic cushion seal with specially designed spacer lugs and flow passages to cushion at the end of the stroke in a pneumatic cylinder.



HERCULES PART NUMBERS

MCK53 - 012
 Style Prefix Inside Diameter

SEAL INFORMATION	
MATERIAL	92A URETHANE
TEMPERATURE RANGE	-22 - +176° F
PRESSURE RANGE	0 TO 230 PSI
SPEED	1.5 FT/SEC



Part Number	A Nom. ID	B Nom. OD	C Nom. Ht	C ₁ OVERALL HEIGHT	D GROOVE WIDTH	E ROD DIAMETER	F THROAT DIAMETER	F ₁	G HOUSING DIAMETER	D ₂ OUTER THROAT DEPTH	E ₁ STUB DIAMETER	th THICKNESS	List Price
MCK53-012	12	18	4.1	5.00	4.80 ±0.10	12.00 +0.00 -0.07	13.00 +0.11 +0.00	15.50 +0.11 +0.00	18.00 +0.11 +0.00	6.80 ±0.20	8.00 -0.013 -0.035	4.10	\$3.59
MCK53-012/1	12	20	6.2	7.80	7.00 ±0.10	12.00 +0.00 -0.07	13.00 +0.11 +0.00	17.00 +0.11 +0.00	20.00 +0.13 +0.00	9.00 ±0.20	8.00 -0.013 -0.035	6.20	3.59
MCK53-014	14	22	6.2	7.80	7.00 ±0.10	14.00 +0.00 -0.07	15.00 +0.11 +0.00	19.00 +0.13 +0.00	22.00 +0.13 +0.00	9.00 ±0.20	10.00 -0.013 -0.035	6.20	3.59
MCK53-016/1	16	22	4.7	5.50	5.20 ±0.10	16.00 +0.00 -0.07	17.00 +0.11 +0.00	19.50 +0.13 +0.00	22.00 +0.13 +0.00	7.20 ±0.20	12.00 -0.016 -0.043	4.70	3.78
MCK53-016	16	24	6.2	7.80	7.00 ±0.10	16.00 +0.00 -0.07	17.00 +0.11 +0.00	21.00 +0.13 +0.00	24.00 +0.13 +0.00	9.00 ±0.20	12.00 -0.016 -0.043	6.20	3.78
MCK53-018	18	26	6.2	7.80	7.00 ±0.10	18.00 +0.00 -0.07	19.00 +0.13 +0.00	22.00 +0.13 +0.00	26.00 +0.13 +0.00	9.00 ±0.20	14.00 -0.016 -0.043	6.20	3.89
MCK53-020	20	28	6.2	7.80	7.00 ±0.10	20.00 +0.000 -0.084	21.00 +0.13 +0.00	24.00 +0.13 +0.00	28.00 +0.13 +0.00	9.00 ±0.20	16.00 -0.016 -0.043	6.20	3.98
MCK53-024	24	32	6.2	7.80	7.00 ±0.10	24.00 +0.000 -0.084	25.00 +0.13 +0.00	28.00 +0.13 +0.00	32.00 +0.16 +0.00	9.00 ±0.20	20.00 -0.020 -0.053	6.20	4.34
MCK53-025	25	33	6.3	7.80	7.00 ±0.10	25.00 +0.000 -0.084	26.00 +0.13 +0.00	29.00 +0.13 +0.00	33.00 +0.16 +0.00	9.00 ±0.20	21.00 -0.020 -0.053	6.30	3.71
MCK53-025-N	25	33	6.3	7.80	7.00 ±0.10	25.00 +0.000 -0.084	26.00 +0.13 +0.00	29.00 +0.13 +0.00	33.00 +0.16 +0.00	9.00 ±0.20	21.00 -0.020 -0.053	6.30	3.10
MCK53-025/1	25	35	6.2	7.80	7.00 ±0.10	25.00 +0.000 -0.084	26.00 +0.13 +0.00	30.00 +0.13 +0.00	35.00 +0.16 +0.00	9.00 ±0.20	21.00 -0.020 -0.053	6.20	4.56
MCK53-030	30	40	6.2	7.80	7.00 ±0.10	30.00 +0.000 -0.084	31.50 +0.16 +0.00	35.00 +0.16 +0.00	40.00 +0.16 +0.00	9.00 ±0.20	26.00 -0.020 -0.053	6.20	4.46
MCK53-036	36	46	6.2	7.80	7.00 ±0.10	36.00 +0.00 -0.10	37.50 +0.16 +0.00	41.00 +0.16 +0.00	46.00 +0.16 +0.00	9.00 ±0.20	32.00 -0.025 -0.064	6.20	5.86

STYLE MCK53 CUSHION SEALS

Part Number	A Nom. ID	B Nom. OD	C Nom. Ht	C ₁ OVERALL HEIGHT	D GROOVE WIDTH	E ROD DIAMETER	F THROAT DIAMETER	F ₁	G HOUSING DIAMETER	D ₂ OUTER THROAT DEPTH	E ₁ STUB DIAMETER	th THICKNESS	List Price
MCK53-040	40	50	6.2	7.80	7.00 ±0.10	40.00 ^{+0.00} _{-0.10}	41.50 ^{+0.16} _{+0.00}	45.00 ^{+0.16} _{+0.00}	50.00 ^{+0.16} _{+0.00}	9.00 ±0.20	32.00 ^{-0.025} _{-0.064}	6.20	6.08
MCK53-050/1	50	60	6.2	7.80	7.00 ±0.10	50.00 ^{+0.00} _{-0.10}	51.50 ^{+0.19} _{+0.00}	55.00 ^{+0.19} _{+0.00}	60.00 ^{+0.19} _{+0.00}	9.00 ±0.20	46.00 ^{-0.025} _{-0.064}	6.20	6.43
MCK53-050	50	67	11	11.00	12.50 ±0.10	50.00 ^{+0.00} _{-0.10}	53.00 ^{+0.19} _{+0.00}	58.00 ^{+0.19} _{+0.00}	67.00 ^{+0.19} _{+0.00}	14.50 ±0.20	46.00 ^{-0.025} _{-0.064}	11.00	7.57
MCK53-057	57	74	10	11.00	12.50 ±0.10	57.00 ^{+0.00} _{-0.12}	60.00 ^{+0.19} _{+0.00}	65.00 ^{+0.19} _{+0.00}	74.00 ^{+0.19} _{+0.00}	14.50 ±0.20	53.00 ^{-0.030} _{-0.076}	10.00	8.03
MCK53-070	70	87	10	11.00	12.50 ±0.10	70.00 ^{+0.00} _{-0.12}	73.00 ^{+0.19} _{+0.00}	78.00 ^{+0.19} _{+0.00}	87.00 ^{+0.22} _{+0.00}	14.50 ±0.20	66.00 ^{-0.030} _{-0.076}	10.00	8.89