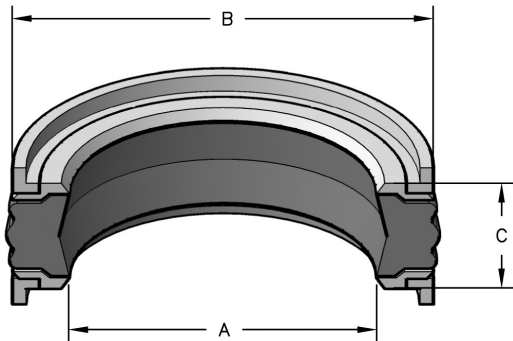


STYLE MPSA FIVE PIECE PISTON SEALS

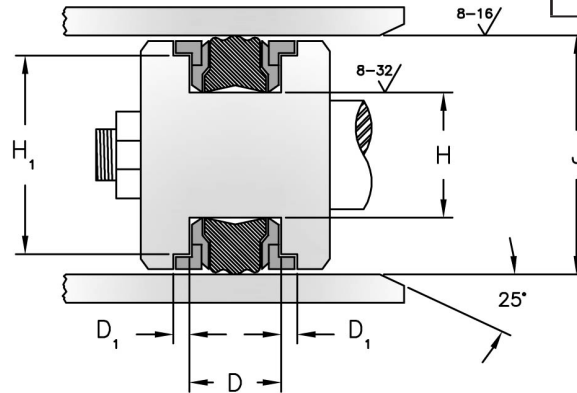
Designed to fit on one or two piece pistons, this piston seal employs a nitrile seal for high sealability, nylon split back-ups for extrusion resistance, and two split bearing rings. No further support bearings are required.



HERCULES PART NUMBERS

MPSA - 020
 Type of Seal Bore Diameter

SEAL INFORMATION	
MATERIAL	70A NBR SEAL NYLON BACK-UP & BEARING
TEMPERATURE RANGE	-22° TO +212° F
PRESSURE RANGE	0 TO 6,000 PSI
SPEED	1.5 FT/SEC



Part Number	A Nom. ID	B Nom. OD	C Nom. Ht	D SEAL GROOVE WIDTH	D ₁ BEARING GROOVE WIDTH	H GROOVE DIAMETER	H ₁ BEARING GROOVE DIAMETER	J BORE DIAMETER	List Price
MPSA-020	11	20	13.5	13.50 +0.20 +0.00	2.10 +0.10 +0.00	11.00 +0.00 -0.043	17.00 +0.00 -0.043	20.00 +0.084 +0.000	\$11.60
MPSA-025	15	25	12.5	12.50 +0.20 +0.00	4.00 +0.10 +0.00	15.00 +0.00 -0.043	22.00 +0.00 -0.052	25.00 +0.084 +0.000	11.60
MPSA-025A	15	25	16.4	16.40 +0.20 +0.00	6.35 +0.10 +0.00	15.00 +0.00 -0.043	21.40 +0.00 -0.052	25.00 +0.084 +0.000	11.60
MPSA-025B	16	25	13.5	13.50 +0.20 +0.00	2.10 +0.10 +0.00	16.00 +0.00 -0.043	22.00 +0.00 -0.052	25.00 +0.084 +0.000	11.60
MPSA-030A	21	30	13.5	13.50 +0.20 +0.00	2.10 +0.10 +0.00	21.00 +0.00 -0.052	27.00 +0.00 -0.052	30.00 +0.084 +0.000	11.93
MPSA-032A	22	32	12.5	12.50 +0.20 +0.00	4.00 +0.10 +0.00	22.00 +0.00 -0.052	27.40 +0.00 -0.052	32.00 +0.10 +0.00	18.09
MPSA-032C	22	32	15.5	15.50 +0.20 +0.00	2.60 +0.10 +0.00	22.00 +0.00 -0.052	28.00 +0.00 -0.052	32.00 +0.10 +0.00	16.91
MPSA-032	22	32	16.3	16.30 +0.20 +0.00	6.35 +0.10 +0.00	22.00 +0.00 -0.052	28.50 -1.00 -0.05	32.00 +0.10 +0.00	18.09
MPSA-032D	24	32	15.5	15.50 +0.20 +0.00	3.20 +0.10 +0.00	24.00 +0.00 -0.052	28.00 +0.00 -0.052	32.00 +0.10 +0.00	16.91
MPSA-035A	25	35	15.5	15.50 +0.20 +0.00	2.60 +0.10 +0.00	25.00 +0.00 -0.052	31.00 +0.00 -0.062	35.00 +0.10 +0.00	18.72
MPSA-035	25	35	16.4	16.40 +0.20 +0.00	6.35 +0.10 +0.00	25.00 +0.00 -0.052	31.40 +0.00 -0.062	35.00 +0.10 +0.00	13.36
MPSA-040D	26	40	15.5	15.50 +0.20 +0.00	2.60 +0.10 +0.00	26.00 +0.00 -0.052	36.00 +0.00 -0.062	40.00 +0.10 +0.00	19.95
MPSA-040F	30	40	12.5	12.50 +0.20 +0.00	4.00 +0.10 +0.00	30.00 +0.00 -0.052	37.00 +0.00 -0.062	40.00 +0.10 +0.00	19.95
MPSA-040E	30	40	16.4	16.40 +0.20 +0.00	6.35 +0.10 +0.00	30.00 +0.00 -0.052	35.40 +0.00 -0.062	40.00 +0.10 +0.00	19.95
MPSA-040H	32	40	10	10.00 +0.20 +0.00	4.00 +0.10 +0.00	32.00 +0.00 -0.062	37.00 +0.00 -0.062	40.00 +0.10 +0.00	19.17

STYLE MPSA FIVE PIECE PISTON SEALS

Part Number	A Nom. ID	B Nom. OD	C Nom. Ht	D SEAL GROOVE WIDTH	D ₁ BEARING GROOVE WIDTH	H GROOVE DIAMETER	H ₁ BEARING GROOVE DIAMETER	J BORE DIAMETER	List Price
MPSA-040G	32	40	15.5	15.50 ^{+0.20} / _{+0.00}	3.20 ^{+0.10} / _{+0.00}	32.00 ^{+0.000} / _{-0.062}	36.00 ^{+0.000} / _{-0.062}	40.00 ^{+0.10} / _{+0.00}	19.95
MPSA-045A	29	45	18.4	18.40 ^{+0.20} / _{+0.00}	6.35 ^{+0.10} / _{+0.00}	29.00 ^{+0.000} / _{-0.052}	40.40 ^{+0.000} / _{-0.062}	45.00 ^{+0.10} / _{+0.00}	20.78
MPSA-045B	31	45	15.5	15.50 ^{+0.20} / _{+0.00}	2.60 ^{+0.10} / _{+0.00}	31.00 ^{+0.000} / _{-0.062}	41.00 ^{+0.000} / _{-0.062}	45.00 ^{+0.10} / _{+0.00}	20.78
MPSA-045	35	45	16.4	16.40 ^{+0.20} / _{+0.00}	6.35 ^{+0.10} / _{+0.00}	35.00 ^{+0.000} / _{-0.062}	40.40 ^{+0.000} / _{-0.062}	45.00 ^{+0.10} / _{+0.00}	20.72
MPSA-050	34	50	18.4	18.40 ^{+0.20} / _{+0.00}	6.35 ^{+0.10} / _{+0.00}	34.00 ^{+0.000} / _{-0.062}	45.40 ^{+0.000} / _{-0.062}	50.00 ^{+0.10} / _{+0.00}	21.25
MPSA-050D	34	50	20.5	20.50 ^{+0.20} / _{+0.00}	3.10 ^{+0.10} / _{+0.00}	34.00 ^{+0.000} / _{-0.062}	46.00 ^{+0.000} / _{-0.062}	50.00 ^{+0.10} / _{+0.00}	21.93
MPSA-050A	38	50	20.5	20.50 ^{+0.20} / _{+0.00}	4.20 ^{+0.10} / _{+0.00}	38.00 ^{+0.000} / _{-0.062}	46.00 ^{+0.000} / _{-0.062}	50.00 ^{+0.10} / _{+0.00}	21.25
MPSA-050B	40	50	12.5	12.50 ^{+0.20} / _{+0.00}	4.00 ^{+0.10} / _{+0.00}	40.00 ^{+0.000} / _{-0.062}	47.00 ^{+0.000} / _{-0.062}	50.00 ^{+0.10} / _{+0.00}	21.25
MPSA-055	39	55	18.4	18.40 ^{+0.20} / _{+0.00}	6.40 ^{+0.10} / _{+0.00}	39.00 ^{+0.000} / _{-0.062}	50.40 ^{+0.000} / _{-0.074}	55.00 ^{+0.12} / _{+0.00}	23.52
MPSA-055B	39	55	20.5	20.50 ^{+0.20} / _{+0.00}	3.10 ^{+0.10} / _{+0.00}	39.00 ^{+0.000} / _{-0.062}	51.00 ^{+0.000} / _{-0.074}	55.00 ^{+0.12} / _{+0.00}	22.64
MPSA-060	44	60	18.4	18.40 ^{+0.20} / _{+0.00}	6.35 ^{+0.10} / _{+0.00}	44.00 ^{+0.000} / _{-0.062}	55.40 ^{+0.000} / _{-0.074}	60.00 ^{+0.12} / _{+0.00}	25.08
MPSA-060C	44	60	20.5	20.50 ^{+0.20} / _{+0.00}	3.10 ^{+0.10} / _{+0.00}	44.00 ^{+0.000} / _{-0.062}	56.00 ^{+0.000} / _{-0.074}	60.00 ^{+0.12} / _{+0.00}	13.23
MPSA-060B	48	60	20.5	20.50 ^{+0.20} / _{+0.00}	4.20 ^{+0.10} / _{+0.00}	48.00 ^{+0.000} / _{-0.062}	56.00 ^{+0.000} / _{-0.074}	60.00 ^{+0.12} / _{+0.00}	25.08
MPSA-063E	47	63	18.4	18.40 ^{+0.20} / _{+0.00}	6.35 ^{+0.10} / _{+0.00}	47.00 ^{+0.000} / _{-0.062}	58.40 ^{+0.000} / _{-0.074}	63.00 ^{+0.12} / _{+0.00}	14.88
MPSA-063	47	63	19.4	19.40 ^{+0.20} / _{+0.00}	6.35 ^{+0.10} / _{+0.00}	47.00 ^{+0.000} / _{-0.062}	58.40 ^{+0.000} / _{-0.074}	63.00 ^{+0.12} / _{+0.00}	27.17
MPSA-063C	47	63	20.5	20.50 ^{+0.20} / _{+0.00}	3.10 ^{+0.10} / _{+0.00}	47.00 ^{+0.000} / _{-0.062}	59.00 ^{+0.000} / _{-0.074}	63.00 ^{+0.12} / _{+0.00}	34.58
MPSA-063A	51	63	20.15	20.15 ^{+0.20} / _{+0.00}	4.20 ^{+0.10} / _{+0.00}	51.00 ^{+0.000} / _{-0.074}	59.00 ^{+0.000} / _{-0.074}	63.00 ^{+0.12} / _{+0.00}	27.17
MPSA-063B	53	63	12.5	12.50 ^{+0.20} / _{+0.00}	4.00 ^{+0.10} / _{+0.00}	53.00 ^{+0.000} / _{-0.074}	60.00 ^{+0.000} / _{-0.074}	63.00 ^{+0.12} / _{+0.00}	27.17
MPSA-065A	49	65	20.5	20.50 ^{+0.20} / _{+0.00}	3.10 ^{+0.10} / _{+0.00}	49.00 ^{+0.000} / _{-0.062}	61.00 ^{+0.000} / _{-0.074}	65.00 ^{+0.12} / _{+0.00}	16.97
MPSA-065	50	65	18.4	18.40 ^{+0.20} / _{+0.00}	6.35 ^{+0.10} / _{+0.00}	50.00 ^{+0.000} / _{-0.062}	60.40 ^{+0.000} / _{-0.074}	65.00 ^{+0.12} / _{+0.00}	27.22
MPSA-070	50	70	22.4	22.40 ^{+0.20} / _{+0.00}	6.35 ^{+0.10} / _{+0.00}	50.00 ^{+0.000} / _{-0.062}	64.20 ^{+0.000} / _{-0.074}	70.00 ^{+0.12} / _{+0.00}	27.85
MPSA-070B	54	70	20.5	20.50 ^{+0.20} / _{+0.00}	3.10 ^{+0.10} / _{+0.00}	54.00 ^{+0.000} / _{-0.074}	66.00 ^{+0.000} / _{-0.074}	70.00 ^{+0.12} / _{+0.00}	34.34
MPSA-070C	55	70	20	20.00 ^{+0.20} / _{+0.00}	5.00 ^{+0.10} / _{+0.00}	55.00 ^{+0.000} / _{-0.074}	66.00 ^{+0.000} / _{-0.074}	70.00 ^{+0.12} / _{+0.00}	30.81
MPSA-070A	58	70	20.15	20.15 ^{+0.20} / _{+0.00}	4.20 ^{+0.10} / _{+0.00}	58.00 ^{+0.000} / _{-0.074}	66.00 ^{+0.000} / _{-0.074}	70.00 ^{+0.12} / _{+0.00}	27.85
MPSA-075	55	75	22.4	22.40 ^{+0.20} / _{+0.00}	6.35 ^{+0.10} / _{+0.00}	55.00 ^{+0.000} / _{-0.074}	69.20 ^{+0.000} / _{-0.074}	75.00 ^{+0.12} / _{+0.00}	28.89
MPSA-075A	59	75	20.5	20.50 ^{+0.20} / _{+0.00}	3.10 ^{+0.10} / _{+0.00}	59.00 ^{+0.000} / _{-0.074}	71.00 ^{+0.000} / _{-0.074}	75.00 ^{+0.12} / _{+0.00}	23.82
MPSA-080	60	80	22.4	22.40 ^{+0.20} / _{+0.00}	6.35 ^{+0.10} / _{+0.00}	60.00 ^{+0.000} / _{-0.074}	74.20 ^{+0.000} / _{-0.074}	80.00 ^{+0.12} / _{+0.00}	31.54
MPSA-080D	60	80	25	25.00 ^{+0.20} / _{+0.00}	6.35 ^{+0.10} / _{+0.00}	60.00 ^{+0.000} / _{-0.074}	75.00 ^{+0.000} / _{-0.074}	80.00 ^{+0.12} / _{+0.00}	31.54
MPSA-080C	62	80	22.5	22.50 ^{+0.20} / _{+0.00}	3.60 ^{+0.10} / _{+0.00}	62.00 ^{+0.000} / _{-0.074}	76.00 ^{+0.000} / _{-0.074}	80.00 ^{+0.12} / _{+0.00}	31.54
MPSA-080B	65	80	20	20.00 ^{+0.20} / _{+0.00}	5.00 ^{+0.10} / _{+0.00}	65.00 ^{+0.000} / _{-0.074}	76.00 ^{+0.000} / _{-0.074}	80.00 ^{+0.12} / _{+0.00}	23.93
MPSA-080A	66	80	22.5	22.50 ^{+0.20} / _{+0.00}	5.20 ^{+0.10} / _{+0.00}	66.00 ^{+0.000} / _{-0.074}	76.00 ^{+0.000} / _{-0.074}	80.00 ^{+0.12} / _{+0.00}	31.54
MPSA-085	65	85	22.4	22.40 ^{+0.20} / _{+0.00}	6.35 ^{+0.10} / _{+0.00}	65.00 ^{+0.000} / _{-0.074}	79.20 ^{+0.000} / _{-0.074}	85.00 ^{+0.14} / _{+0.00}	32.79
MPSA-090	70	90	22.4	22.40 ^{+0.20} / _{+0.00}	6.35 ^{+0.10} / _{+0.00}	70.00 ^{+0.000} / _{-0.074}	84.20 ^{+0.000} / _{-0.087}	90.00 ^{+0.14} / _{+0.00}	36.51

STYLE MPSA FIVE PIECE PISTON SEALS

Part Number	A Nom. ID	B Nom. OD	C Nom. Ht	D SEAL GROOVE WIDTH	D ₁ BEARING GROOVE WIDTH	H GROOVE DIAMETER	H ₁ BEARING GROOVE DIAMETER	J BORE DIAMETER	List Price
MPSA-090C	72	90	22.5	22.50 ^{+0.20} / _{+0.00}	3.60 ^{+0.10} / _{+0.00}	72.00 ^{+0.000} / _{-0.074}	86.00 ^{+0.000} / _{-0.087}	90.00 ^{+0.14} / _{+0.00}	25.98
MPSA-090B	76	90	22.5	22.50 ^{+0.20} / _{+0.00}	5.20 ^{+0.10} / _{+0.00}	76.00 ^{+0.000} / _{-0.074}	86.00 ^{+0.000} / _{-0.087}	90.00 ^{+0.14} / _{+0.00}	36.51
MPSA-092	82	92	12.5	12.50 ^{+0.20} / _{+0.00}	6.35 ^{+0.10} / _{+0.00}	82.00 ^{+0.000} / _{-0.087}	88.00 ^{+0.000} / _{-0.087}	92.00 ^{+0.14} / _{+0.00}	49.38
MPSA-095	75	95	22.4	22.40 ^{+0.20} / _{+0.00}	6.35 ^{+0.10} / _{+0.00}	75.00 ^{+0.000} / _{-0.074}	89.15 ^{+0.000} / _{-0.087}	95.00 ^{+0.14} / _{+0.00}	51.04
MPSA-100	75	100	22.4	22.40 ^{+0.20} / _{+0.00}	6.35 ^{+0.10} / _{+0.00}	75.00 ^{+0.000} / _{-0.074}	93.20 ^{+0.000} / _{-0.087}	100.00 ^{+0.14} / _{+0.00}	39.44
MPSA-100B	80	100	25	25.00 ^{+0.20} / _{+0.00}	6.30 ^{+0.10} / _{+0.00}	80.00 ^{+0.000} / _{-0.074}	94.15 ^{+0.000} / _{-0.087}	100.00 ^{+0.14} / _{+0.00}	39.44
MPSA-100E	82	100	22.5	22.50 ^{+0.20} / _{+0.00}	3.60 ^{+0.10} / _{+0.00}	82.00 ^{+0.000} / _{-0.087}	96.00 ^{+0.000} / _{-0.087}	100.00 ^{+0.14} / _{+0.00}	29.58
MPSA-100A	85	100	20	20.00 ^{+0.35} / _{+0.10}	5.00 ^{+0.10} / _{+0.00}	85.00 ^{+0.000} / _{-0.087}	96.00 ^{+0.000} / _{-0.087}	100.00 ^{+0.14} / _{+0.00}	52.30
MPSA-100F	86	100	22.5	22.50 ^{+0.20} / _{+0.00}	5.20 ^{+0.10} / _{+0.00}	86.00 ^{+0.000} / _{-0.087}	96.00 ^{+0.000} / _{-0.087}	100.00 ^{+0.14} / _{+0.00}	29.58
MPSA-105	80	105	22.5	22.50 ^{+0.20} / _{+0.00}	6.35 ^{+0.10} / _{+0.00}	80.00 ^{+0.000} / _{-0.074}	98.10 ^{+0.000} / _{-0.087}	105.00 ^{+0.14} / _{+0.00}	41.44
MPSA-105A	92.5	105	14.3	14.30 ^{+0.20} / _{+0.00}	6.35 ^{+0.10} / _{+0.00}	92.50 ^{+0.000} / _{-0.087}	98.80 ^{+0.000} / _{-0.087}	105.00 ^{+0.14} / _{+0.00}	59.70
MPSA-110	85	110	22.4	22.40 ^{+0.20} / _{+0.00}	6.35 ^{+0.10} / _{+0.00}	85.00 ^{+0.000} / _{-0.087}	103.10 ^{+0.000} / _{-0.087}	110.00 ^{+0.14} / _{+0.00}	43.62
MPSA-110A	85	110	25	25.00 ^{+0.20} / _{+0.00}	6.35 ^{+0.10} / _{+0.00}	85.00 ^{+0.000} / _{-0.087}	103.00 ^{+0.000} / _{-0.087}	110.00 ^{+0.14} / _{+0.00}	43.62
MPSA-110C	90	110	25.3	25.30 ^{+0.20} / _{+0.00}	6.40 ^{+0.10} / _{+0.00}	90.00 ^{+0.000} / _{-0.087}	104.10 ^{+0.000} / _{-0.087}	110.00 ^{+0.14} / _{+0.00}	34.93
MPSA-110D	92	110	22.5	22.50 ^{+0.20} / _{+0.00}	3.60 ^{+0.10} / _{+0.00}	92.00 ^{+0.000} / _{-0.087}	106.00 ^{+0.000} / _{-0.087}	110.00 ^{+0.14} / _{+0.00}	30.94
MPSA-110E	95	110	20	20.00 ^{+0.20} / _{+0.00}	5.00 ^{+0.10} / _{+0.00}	95.00 ^{+0.000} / _{-0.087}	105.00 ^{+0.000} / _{-0.087}	110.00 ^{+0.14} / _{+0.00}	31.50
MPSA-110B	96	110	22.5	22.50 ^{+0.20} / _{+0.00}	5.20 ^{+0.10} / _{+0.00}	96.00 ^{+0.000} / _{-0.087}	106.00 ^{+0.000} / _{-0.087}	110.00 ^{+0.14} / _{+0.00}	30.93
MPSA-115	90	115	22.4	22.40 ^{+0.20} / _{+0.00}	6.35 ^{+0.10} / _{+0.00}	90.00 ^{+0.000} / _{-0.087}	108.10 ^{+0.000} / _{-0.087}	115.00 ^{+0.14} / _{+0.00}	45.32
MPSA-115B	97	115	22.5	22.50 ^{+0.20} / _{+0.00}	3.60 ^{+0.10} / _{+0.00}	97.00 ^{+0.000} / _{-0.087}	111.00 ^{+0.000} / _{-0.087}	115.00 ^{+0.14} / _{+0.00}	46.44
MPSA-120	95	120	22.4	22.40 ^{+0.20} / _{+0.00}	6.35 ^{+0.10} / _{+0.00}	95.00 ^{+0.000} / _{-0.087}	113.10 ^{+0.000} / _{-0.087}	120.00 ^{+0.14} / _{+0.00}	46.42
MPSA-120B	106	120	22.5	22.50 ^{+0.20} / _{+0.00}	5.20 ^{+0.10} / _{+0.00}	106.00 ^{+0.000} / _{-0.087}	116.00 ^{+0.000} / _{-0.087}	120.00 ^{+0.14} / _{+0.00}	46.92
MPSA-125	100	125	25.4	25.40 ^{+0.20} / _{+0.00}	6.35 ^{+0.10} / _{+0.00}	100.00 ^{+0.000} / _{-0.087}	118.00 ^{+0.000} / _{-0.087}	125.00 ^{+0.16} / _{+0.00}	47.32
MPSA-125G	100	125	45	45.00 ^{+0.20} / _{+0.00}	12.70 ^{+0.10} / _{+0.00}	100.00 ^{+0.000} / _{-0.087}	116.80 ^{+0.000} / _{-0.087}	125.00 ^{+0.16} / _{+0.00}	121.76
MPSA-125E	103	125	26.5	26.50 ^{+0.20} / _{+0.00}	5.10 ^{+0.10} / _{+0.00}	103.00 ^{+0.000} / _{-0.087}	121.00 ^{+0.00} / _{-0.10}	125.00 ^{+0.16} / _{+0.00}	49.35
MPSA-125A	105	125	25	25.00 ^{+0.35} / _{+0.10}	6.30 ^{+0.10} / _{+0.00}	105.00 ^{+0.000} / _{-0.087}	120.00 ^{+0.000} / _{-0.087}	125.00 ^{+0.16} / _{+0.00}	82.51
MPSA-125F	108	125	26.5	26.50 ^{+0.20} / _{+0.00}	7.20 ^{+0.10} / _{+0.00}	108.00 ^{+0.000} / _{-0.087}	121.00 ^{+0.00} / _{-0.10}	125.00 ^{+0.16} / _{+0.00}	49.35
MPSA-130	105	130	25.4	25.40 ^{+0.20} / _{+0.00}	9.52 ^{+0.10} / _{+0.00}	105.00 ^{+0.000} / _{-0.087}	122.60 ^{+0.00} / _{-0.10}	130.00 ^{+0.16} / _{+0.00}	51.04
MPSA-135	110	135	25.4	25.40 ^{+0.20} / _{+0.00}	6.35 ^{+0.10} / _{+0.00}	110.00 ^{+0.000} / _{-0.087}	128.10 ^{+0.00} / _{-0.10}	135.00 ^{+0.16} / _{+0.00}	51.94
MPSA-140	115	140	25.4	25.40 ^{+0.20} / _{+0.00}	9.52 ^{+0.10} / _{+0.00}	115.00 ^{+0.000} / _{-0.087}	132.60 ^{+0.00} / _{-0.10}	140.00 ^{+0.16} / _{+0.00}	51.94
MPSA-140B	115	140	25.4	25.40 ^{+0.20} / _{+0.00}	6.35 ^{+0.10} / _{+0.00}	115.00 ^{+0.000} / _{-0.087}	133.00 ^{+0.00} / _{-0.10}	140.00 ^{+0.16} / _{+0.00}	51.94
MPSA-140A	115	140	45	45.00 ^{+0.20} / _{+0.00}	12.70 ^{+0.10} / _{+0.00}	115.00 ^{+0.000} / _{-0.087}	131.70 ^{+0.00} / _{-0.10}	140.00 ^{+0.16} / _{+0.00}	109.70
MPSA-140E	118	140	26.5	26.50 ^{+0.20} / _{+0.00}	5.10 ^{+0.10} / _{+0.00}	118.00 ^{+0.000} / _{-0.087}	136.00 ^{+0.00} / _{-0.10}	140.00 ^{+0.16} / _{+0.00}	31.86
MPSA-140C	120	140	25	25.00 ^{+0.20} / _{+0.00}	6.35 ^{+0.10} / _{+0.00}	120.00 ^{+0.000} / _{-0.087}	135.00 ^{+0.00} / _{-0.10}	140.00 ^{+0.16} / _{+0.00}	51.94

STYLE MPSA FIVE PIECE PISTON SEALS

Part Number	A Nom. ID	B Nom. OD	C Nom. Ht	D SEAL GROOVE WIDTH	D ₁ BEARING GROOVE WIDTH	H GROOVE DIAMETER	H ₁ BEARING GROOVE DIAMETER	J BORE DIAMETER	List Price
MPSA-140F	123	140	26.5	26.50 +0.20 +0.00	7.20 +0.10 +0.00	123.00 +0.00 -0.10	136.00 +0.00 -0.10	140.00 +0.16 +0.00	63.90
MPSA-145	120	145	25.4	25.40 +0.20 +0.00	9.52 +0.10 +0.00	120.00 +0.000 -0.087	137.60 +0.00 -0.10	145.00 +0.16 +0.00	62.90
MPSA-150	125	150	25.4	25.40 +0.20 +0.00	9.52 +0.10 +0.00	125.00 +0.00 -0.10	142.60 +0.00 -0.10	150.00 +0.16 +0.00	59.70
MPSA-150D	125	150	25.5	25.50 +0.20 +0.00	6.35 +0.10 +0.00	125.00 +0.00 -0.10	143.00 +0.00 -0.10	150.00 +0.16 +0.00	44.68
MPSA-150A	125	150	45	45.00 +0.20 +0.00	12.70 +0.10 +0.00	125.00 +0.00 -0.10	141.70 +0.00 -0.10	150.00 +0.16 +0.00	115.26
MPSA-150B	128	150	26.5	26.50 +0.20 +0.00	5.10 +0.10 +0.00	128.00 +0.00 -0.10	146.00 +0.00 -0.10	150.00 +0.16 +0.00	64.30
MPSA-150C	133	150	26.5	26.50 +0.20 +0.00	7.20 +0.10 +0.00	133.00 +0.00 -0.10	146.00 +0.00 -0.10	150.00 +0.16 +0.00	40.39
MPSA-160A	130	160	25.4	25.40 +0.20 +0.00	6.35 +0.10 +0.00	130.00 +0.00 -0.10	153.00 +0.00 -0.10	160.00 +0.16 +0.00	68.66
MPSA-160F	130	160	25.4	25.40 +0.20 +0.00	9.50 +0.10 +0.00	130.00 +0.00 -0.10	152.60 +0.00 -0.10	160.00 +0.16 +0.00	68.66
MPSA-160	135	160	25.4	25.40 +0.20 +0.00	9.50 +0.10 +0.00	135.00 +0.00 -0.10	152.60 +0.00 -0.10	160.00 +0.16 +0.00	54.17
MPSA-160H	135	160	32	32.00 +0.20 +0.00	10.00 +0.10 +0.00	135.00 +0.00 -0.10	154.00 +0.00 -0.10	160.00 +0.16 +0.00	176.11
MPSA-160D	138	160	26.5	26.50 +0.20 +0.00	5.10 +0.10 +0.00	138.00 +0.00 -0.10	156.00 +0.00 -0.10	160.00 +0.16 +0.00	248.58
MPSA-160B	140	160	25	25.00 +0.20 +0.00	6.35 +0.10 +0.00	140.00 +0.00 -0.10	155.00 +0.00 -0.10	160.00 +0.16 +0.00	68.66
MPSA-165A	140	165	25.3	25.30 +0.20 +0.00	9.50 +0.10 +0.00	140.00 +0.00 -0.10	157.60 +0.00 -0.10	165.00 +0.16 +0.00	93.10
MPSA-170A	140	170	25	25.00 +0.20 +0.00	6.35 +0.10 +0.00	140.00 +0.00 -0.10	163.00 +0.00 -0.10	170.00 +0.16 +0.00	168.45
MPSA-170	145	170	25.3	25.30 +0.20 +0.00	12.70 +0.10 +0.00	145.00 +0.00 -0.10	161.70 +0.00 -0.10	170.00 +0.16 +0.00	77.93
MPSA-175B	150	175	25.4	25.40 +0.20 +0.00	12.70 +0.10 +0.00	150.00 +0.00 -0.10	166.70 +0.00 -0.10	175.00 +0.16 +0.00	60.31
MPSA-180A	150	180	35.4	35.40 +0.20 +0.00	6.35 +0.10 +0.00	150.00 +0.00 -0.10	173.00 +0.00 -0.10	180.00 +0.16 +0.00	90.01
MPSA-180	155	180	25.4	25.40 +0.20 +0.00	12.70 +0.10 +0.00	155.00 +0.00 -0.10	171.70 +0.00 -0.10	180.00 +0.16 +0.00	90.01
MPSA-180B	158	180	26.5	26.50 +0.20 +0.00	5.10 +0.10 +0.00	158.00 +0.00 -0.10	176.00 +0.00 -0.10	180.00 +0.16 +0.00	229.14
MPSA-180C	163	180	26.5	26.50 +0.20 +0.00	7.20 +0.10 +0.00	163.00 +0.00 -0.10	176.00 +0.00 -0.10	180.00 +0.16 +0.00	74.63
MPSA-185	160	185	25.3	25.30 +0.20 +0.00	12.70 +0.10 +0.00	160.00 +0.00 -0.10	176.70 +0.00 -0.10	185.00 +0.185 +0.000	190.77
MPSA-190	165	190	25.4	25.40 +0.20 +0.00	12.70 +0.10 +0.00	165.00 +0.00 -0.10	181.70 +0.000 -0.115	190.00 +0.185 +0.000	100.18
MPSA-195	170	195	25.4	25.40 +0.20 +0.00	12.70 +0.10 +0.00	170.00 +0.00 -0.10	187.10 +0.000 -0.115	195.00 +0.185 +0.000	101.34
MPSA-200A	170	200	35.4	35.40 +0.20 +0.00	6.35 +0.10 +0.00	170.00 +0.00 -0.10	193.00 +0.000 -0.115	200.00 +0.185 +0.000	71.90
MPSA-200D	170	200	36	36.00 +0.20 +0.00	12.70 +0.10 +0.00	170.00 +0.00 -0.10	193.00 +0.000 -0.115	200.00 +0.185 +0.000	73.53
MPSA-200	175	200	25.4	25.40 +0.20 +0.00	12.70 +0.10 +0.00	175.00 +0.00 -0.10	191.60 +0.000 -0.115	200.00 +0.185 +0.000	75.09
MPSA-200B	175	200	45	45.00 +0.20 +0.00	12.70 +0.10 +0.00	175.00 +0.00 -0.10	191.60 +0.000 -0.115	200.00 +0.185 +0.000	173.74
MPSA-200F	180	200	31.5	31.50 +0.20 +0.00	9.20 +0.10 +0.00	180.00 +0.00 -0.10	196.00 +0.000 -0.115	200.00 +0.185 +0.000	43.08
MPSA-210	185	210	25.4	25.40 +0.20 +0.00	12.70 +0.10 +0.00	185.00 +0.000 -0.115	201.60 +0.000 -0.115	210.00 +0.185 +0.000	72.59
MPSA-220A	195	220	25.7	25.70 +0.20 +0.00	12.70 +0.10 +0.00	195.00 +0.000 -0.115	211.60 +0.000 -0.115	220.00 +0.185 +0.000	108.56
MPSA-230	205	230	25.3	25.30 +0.20 +0.00	12.70 +0.10 +0.00	205.00 +0.000 -0.115	221.60 +0.000 -0.115	230.00 +0.185 +0.000	75.47
MPSA-240	215	240	25.3	25.30 +0.20 +0.00	12.70 +0.10 +0.00	215.00 +0.000 -0.115	231.60 +0.000 -0.115	240.00 +0.185 +0.000	53.96

STYLE MPSA FIVE PIECE PISTON SEALS

Part Number	A Nom. ID	B Nom. OD	C Nom. Ht	D SEAL GROOVE WIDTH	D ₁ BEARING GROOVE WIDTH	H GROOVE DIAMETER	H ₁ BEARING GROOVE DIAMETER	J BORE DIAMETER	List Price
MPSA-250C	220	250	35.3	35.30 ^{+0.20} / _{+0.00}	6.40 ^{+0.10} / _{+0.00}	220.00 ^{+0.000} / _{-0.115}	243.00 ^{+0.000} / _{-0.115}	250.00 ^{+0.185} / _{+0.000}	147.76
MPSA-250D	225	250	25.3	25.30 ^{+0.20} / _{+0.00}	12.70 ^{+0.10} / _{+0.00}	225.00 ^{+0.000} / _{-0.115}	241.60 ^{+0.000} / _{-0.115}	250.00 ^{+0.185} / _{+0.000}	51.24
MPSA-250A	225	250	31.5	31.50 ^{+0.20} / _{+0.00}	6.60 ^{+0.10} / _{+0.00}	225.00 ^{+0.000} / _{-0.115}	246.00 ^{+0.000} / _{-0.115}	250.00 ^{+0.185} / _{+0.000}	84.62
MPSA-250B	230	250	31.5	31.50 ^{+0.20} / _{+0.00}	9.20 ^{+0.10} / _{+0.00}	230.00 ^{+0.000} / _{-0.115}	246.00 ^{+0.000} / _{-0.072}	250.00 ^{+0.185} / _{+0.000}	75.33
MPSA-260	235	260	35.1	35.10 ^{+0.20} / _{+0.00}	12.70 ^{+0.10} / _{+0.00}	235.00 ^{+0.000} / _{-0.115}	252.90 ^{+0.00} / _{-0.13}	260.00 ^{+0.21} / _{+0.00}	107.69
MPSA-280	250	280	36.3	36.30 ^{+0.20} / _{+0.00}	10.00 ^{+0.10} / _{+0.00}	250.00 ^{+0.000} / _{-0.115}	273.00 ^{+0.00} / _{-0.13}	280.00 ^{+0.21} / _{+0.00}	156.26

Seal color may vary. Special order sizes are available. Please call your regional sales team for assistance.