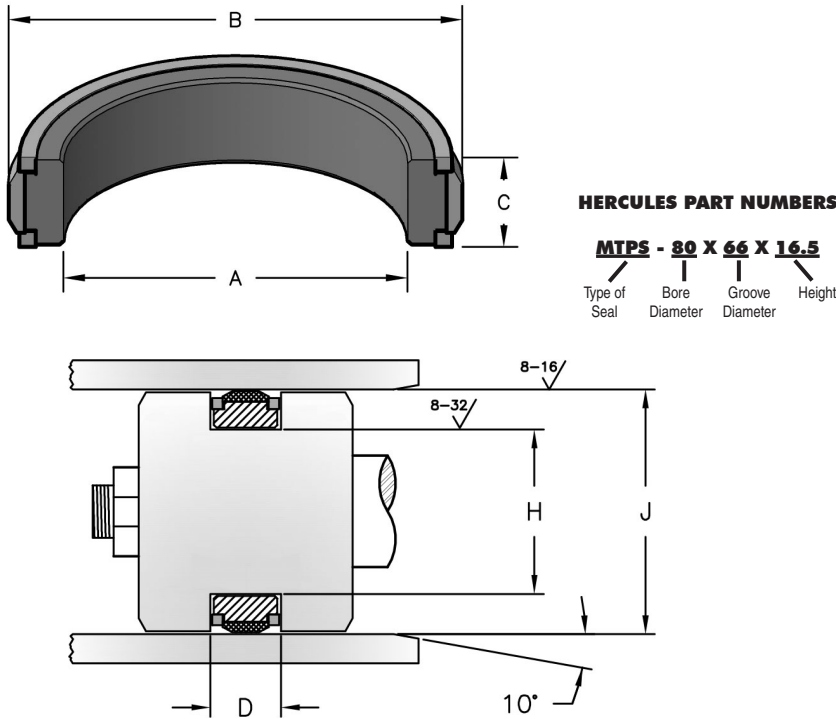


STYLE MTPS FOUR PIECE PISTON SEALS

This four piece double acting piston seal contains a nitrile energizer behind a tough, wear-resistant 55D thermoplastic polyester elastomer (TPE) cap ring. It also includes two split rectangular polyacetal anti-extrusion rings. The MTPS design has high shock load and high pressure capabilities and is suitable for both roller-burnished and honed tubing. Sealing materials are suitable for mineral oils and HFA (High Water Content) fluids as used in longwall mining equipment.



SEAL INFORMATION	
MATERIAL	55D TPE CAP, NITRILE ENERGIZER, POLYACETAL ANTI- EXTRUSION RINGS
TEMPERATURE RANGE	-40° TO +230° F +32 TO +140 F (HFA)
PRESSURE RANGE	0 TO 10,000 PSI (DYNAMIC) 0 TO 17,400 PSI (STATIC)
SPEED	1 FT/SEC

Part Number	A Nom. ID	B Nom. OD	C Nom. Ht	D GROOVE WIDTH	H GROOVE DIAMETER	J BORE DIAMETER	List Price
MTPS-80X66X16.5	66	80	16.5	17.00 ^{+0.20} / _{+0.00}	66.00 ^{+0.00} / _{-0.07}	80.00 ^{+0.12} / _{+0.00}	\$84.27
MTPS-90X75X13	75	90	13	13.50 ^{+0.20} / _{+0.00}	75.00 ^{+0.00} / _{-0.07}	90.00 ^{+0.14} / _{+0.00}	89.90
MTPS-100X85X13	85	100	13	13.50 ^{+0.20} / _{+0.00}	85.00 ^{+0.00} / _{-0.09}	100.00 ^{+0.14} / _{+0.00}	97.32
MTPS-125X110X15.3	110	125	15.3	15.80 ^{+0.20} / _{+0.00}	110.00 ^{+0.00} / _{-0.09}	125.00 ^{+0.16} / _{+0.00}	117.55
MTPS-130X105X24.5	105	130	24.5	25.00 ^{+0.20} / _{+0.00}	105.00 ^{+0.00} / _{-0.09}	130.00 ^{+0.16} / _{+0.00}	136.74
MTPS-135X118X20	118	135	20	20.50 ^{+0.20} / _{+0.00}	118.00 ^{+0.00} / _{-0.09}	135.00 ^{+0.16} / _{+0.00}	133.57
MTPS-150X133X19.5	133	150	19.5	20.00 ^{+0.20} / _{+0.00}	133.00 ^{+0.00} / _{-0.10}	150.00 ^{+0.16} / _{+0.00}	179.67
MTPS-160X135X24.5	135	160	24.5	25.00 ^{+0.20} / _{+0.00}	135.00 ^{+0.00} / _{-0.10}	160.00 ^{+0.16} / _{+0.00}	167.92
MTPS-160X145X15.5	145	160	15.5	16.00 ^{+0.20} / _{+0.00}	145.00 ^{+0.00} / _{-0.10}	160.00 ^{+0.16} / _{+0.00}	146.94
MTPS-165X145X19.5	145	165	19.5	20.00 ^{+0.20} / _{+0.00}	145.00 ^{+0.00} / _{-0.10}	165.00 ^{+0.16} / _{+0.00}	151.58
MTPS-170X150X15.5	150	170	15.5	16.00 ^{+0.20} / _{+0.00}	150.00 ^{+0.00} / _{-0.10}	170.00 ^{+0.16} / _{+0.00}	160.99
MTPS-190X170X15.5	170	190	15.5	16.00 ^{+0.20} / _{+0.00}	170.00 ^{+0.00} / _{-0.10}	190.00 ^{+0.19} / _{+0.00}	182.15
MTPS-195X170X24.9	170	195	24.9	25.38 ^{+0.20} / _{+0.00}	170.00 ^{+0.00} / _{-0.10}	195.00 ^{+0.19} / _{+0.00}	433.14
MTPS-200X180X15.5	180	200	15.5	16.00 ^{+0.20} / _{+0.00}	180.00 ^{+0.00} / _{-0.10}	200.00 ^{+0.19} / _{+0.00}	168.53
MTPS-200X180X19.5	180	200	19.5	20.00 ^{+0.20} / _{+0.00}	180.00 ^{+0.00} / _{-0.10}	200.00 ^{+0.19} / _{+0.00}	170.94

STYLE MTPS FOUR PIECE PISTON SEALS

Part Number	A Nom. ID	B Nom. OD	C Nom. Ht	D GROOVE WIDTH	H GROOVE DIAMETER	J BORE DIAMETER	List Price
MTPS-220X195X24.5	195	220	24.5	25.00 ^{+0.20} +0.00	195.00 ^{+0.00} -0.12	220.00 ^{+0.19} +0.00	216.86
MTPS-225X200X24.6	200	225	24.6	25.15 ^{+0.20} +0.00	200.00 ^{+0.00} -0.12	225.00 ^{+0.19} +0.00	422.32
MTPS-225X205X19.5	205	225	19.5	20.00 ^{+0.20} +0.00	205.00 ^{+0.00} -0.12	225.00 ^{+0.19} +0.00	222.11
MTPS-240X213X29.5	213	240	29.5	30.00 ^{+0.20} +0.00	213.00 ^{+0.00} -0.12	240.00 ^{+0.19} +0.00	240.92
MTPS-250X225X24.5	225	250	24.5	25.00 ^{+0.20} +0.00	225.00 ^{+0.00} -0.12	250.00 ^{+0.19} +0.00	266.65
MTPS-270X245X23.5	245	270	23.5	24.00 ^{+0.20} +0.00	245.00 ^{+0.00} -0.12	270.00 ^{+0.21} +0.00	283.68
MTPS-280X255X24.5	255	280	24.5	25.00 ^{+0.20} +0.00	255.00 ^{+0.00} -0.13	280.00 ^{+0.21} +0.00	288.25
MTPS-285X260X24.5	260	285	24.5	25.00 ^{+0.20} +0.00	260.00 ^{+0.00} -0.13	285.00 ^{+0.21} +0.00	303.41
MTPS-300X275X24.5	275	300	24.5	25.00 ^{+0.20} +0.00	275.00 ^{+0.00} -0.13	300.00 ^{+0.21} +0.00	318.19
MTPS-400X370X31.5	370	400	31.5	32.00 ^{+0.20} +0.00	370.00 ^{+0.00} -0.14	400.00 ^{+0.23} +0.00	640.73

PISTON SEAL ASSEMBLIES