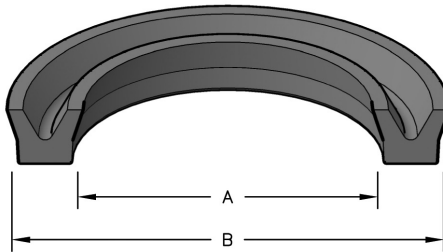


# STYLE HSU HOMOGENEOUS U-SEALS

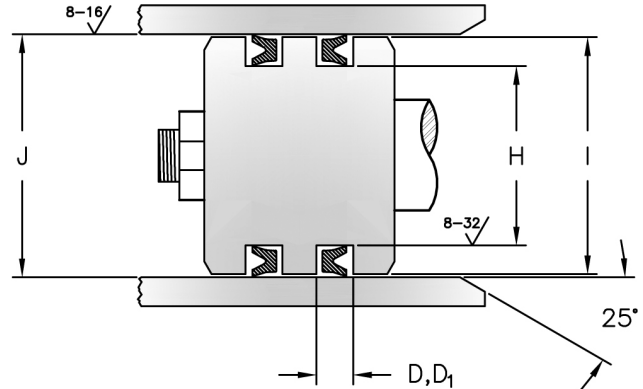
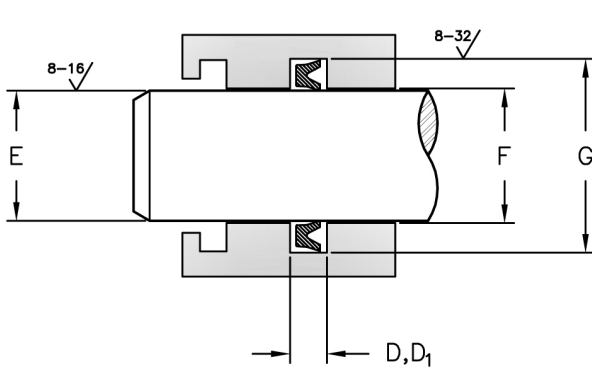
Style HSU u-seals are precision molded from 80A Durometer Buna-N rubber or 90A Fluorocarbon (suffix "V") -- 80A Duro Rubber for abrasion resistance and 90A Duro Fluorocarbon for heat resistance. These seals are commonly found in industrial cylinders as piston, rod and cushion seals.



### HERCULES PART NUMBERS

**HSU 12 - 0.75 - 12 - 80D**  
 Type of Seal | Cross Section | Inside Diameter | Height | Durometer

SEAL INFORMATION	
MATERIAL	80A BUNA-N RUBBER 90A FLUOROCARBON
TEMPERATURE RANGE	BUNA-N: -40° TO +250° F FC: -20° TO +400° F
PRESSURE RANGE	0 TO 2,000 PSI
SPEED	3 FT/SEC



Part Number	A Nom. ID	B Nom. OD	C Nom. Ht	D GROOVE WIDTH	D <sub>1</sub> GROOVE WIDTH WITH BACKUP	E ROD DIAMETER	F THROAT DIAMETER	G HOUSING DIAMETER	H GROOVE DIAMETER	I PISTON DIAMETER	J BORE DIAMETER	List Price
<b>1/8" C/S</b>												
HSU12-0.75-12-80D	3/4	1	1/8	.156 <sup>+0.015</sup> / <sub>+0.000</sub>	.219 ±0.010	.750 <sup>+0.000</sup> / <sub>-0.001</sub>	.751 <sup>+0.002</sup> / <sub>+0.000</sub>	1.000 <sup>+0.002</sup> / <sub>+0.000</sub>	.750 <sup>+0.000</sup> / <sub>-0.002</sub>	.998 <sup>+0.000</sup> / <sub>-0.001</sub>	1.000 <sup>+0.002</sup> / <sub>+0.000</sub>	\$2.57
HSU12-0.75-12-90DV	3/4	1	1/8	.156 <sup>+0.015</sup> / <sub>+0.000</sub>	.219 ±0.010	.750 <sup>+0.000</sup> / <sub>-0.001</sub>	.751 <sup>+0.002</sup> / <sub>+0.000</sub>	1.000 <sup>+0.002</sup> / <sub>+0.000</sub>	.750 <sup>+0.000</sup> / <sub>-0.002</sub>	.998 <sup>+0.000</sup> / <sub>-0.001</sub>	1.000 <sup>+0.002</sup> / <sub>+0.000</sub>	16.73
<b>5/32" C/S</b>												
HSU15-1.18-15-80D	1-3/16	1-1/2	5/32	.188 <sup>+0.015</sup> / <sub>+0.000</sub>	.250 ±0.010	1.187 <sup>+0.000</sup> / <sub>-0.001</sub>	1.188 <sup>+0.002</sup> / <sub>+0.000</sub>	1.500 <sup>+0.002</sup> / <sub>+0.000</sub>	1.187 <sup>+0.000</sup> / <sub>-0.002</sub>	1.498 <sup>+0.000</sup> / <sub>-0.001</sub>	1.500 <sup>+0.002</sup> / <sub>+0.000</sub>	\$3.21
HSU15-1.18-15-90DV	1-3/16	1-1/2	5/32	.188 <sup>+0.015</sup> / <sub>+0.000</sub>	.250 ±0.010	1.187 <sup>+0.000</sup> / <sub>-0.001</sub>	1.188 <sup>+0.002</sup> / <sub>+0.000</sub>	1.500 <sup>+0.002</sup> / <sub>+0.000</sub>	1.187 <sup>+0.000</sup> / <sub>-0.002</sub>	1.498 <sup>+0.000</sup> / <sub>-0.001</sub>	1.500 <sup>+0.002</sup> / <sub>+0.000</sub>	19.77
HSU15-1.25-15-80D	1-1/4	1-9/16	5/32	.188 <sup>+0.015</sup> / <sub>+0.000</sub>	.250 ±0.010	1.250 <sup>+0.000</sup> / <sub>-0.001</sub>	1.251 <sup>+0.002</sup> / <sub>+0.000</sub>	1.563 <sup>+0.002</sup> / <sub>+0.000</sub>	1.250 <sup>+0.000</sup> / <sub>-0.002</sub>	1.560 <sup>+0.000</sup> / <sub>-0.001</sub>	1.563 <sup>+0.002</sup> / <sub>+0.000</sub>	3.42
HSU15-1.25-15-90DV	1-1/4	1-9/16	5/32	.188 <sup>+0.015</sup> / <sub>+0.000</sub>	.250 ±0.010	1.250 <sup>+0.000</sup> / <sub>-0.001</sub>	1.251 <sup>+0.002</sup> / <sub>+0.000</sub>	1.563 <sup>+0.002</sup> / <sub>+0.000</sub>	1.250 <sup>+0.000</sup> / <sub>-0.002</sub>	1.560 <sup>+0.000</sup> / <sub>-0.001</sub>	1.563 <sup>+0.002</sup> / <sub>+0.000</sub>	27.91
<b>3/16" C/S</b>												
HSU18-1.62-18-80D	1-5/8	2	3/16	.218 <sup>+0.015</sup> / <sub>+0.000</sub>	.281 ±0.010	1.625 <sup>+0.000</sup> / <sub>-0.002</sub>	1.626 <sup>+0.002</sup> / <sub>+0.000</sub>	2.000 <sup>+0.002</sup> / <sub>+0.000</sub>	1.625 <sup>+0.000</sup> / <sub>-0.002</sub>	1.998 <sup>+0.000</sup> / <sub>-0.002</sub>	2.000 <sup>+0.002</sup> / <sub>+0.000</sub>	\$3.64
HSU18-1.62-18-90DV	1-5/8	2	3/16	.218 <sup>+0.015</sup> / <sub>+0.000</sub>	.281 ±0.010	1.625 <sup>+0.000</sup> / <sub>-0.002</sub>	1.626 <sup>+0.002</sup> / <sub>+0.000</sub>	2.000 <sup>+0.002</sup> / <sub>+0.000</sub>	1.625 <sup>+0.000</sup> / <sub>-0.002</sub>	1.998 <sup>+0.000</sup> / <sub>-0.002</sub>	2.000 <sup>+0.002</sup> / <sub>+0.000</sub>	50.81
HSU18-2.12-18-80D	2-1/8	2-1/2	3/16	.218 <sup>+0.015</sup> / <sub>+0.000</sub>	.281 ±0.010	2.125 <sup>+0.000</sup> / <sub>-0.002</sub>	2.126 <sup>+0.002</sup> / <sub>+0.000</sub>	2.500 <sup>+0.002</sup> / <sub>+0.000</sub>	2.125 <sup>+0.000</sup> / <sub>-0.002</sub>	2.498 <sup>+0.000</sup> / <sub>-0.002</sub>	2.500 <sup>+0.002</sup> / <sub>+0.000</sub>	3.91
HSU18-2.12-18-90DV	2-1/8	2-1/2	3/16	.218 <sup>+0.015</sup> / <sub>+0.000</sub>	.281 ±0.010	2.125 <sup>+0.000</sup> / <sub>-0.002</sub>	2.126 <sup>+0.002</sup> / <sub>+0.000</sub>	2.500 <sup>+0.002</sup> / <sub>+0.000</sub>	2.125 <sup>+0.000</sup> / <sub>-0.002</sub>	2.498 <sup>+0.000</sup> / <sub>-0.002</sub>	2.500 <sup>+0.002</sup> / <sub>+0.000</sub>	54.01

FORMERLY LISTED REPAIR PARTS ARE AVAILABLE ONLINE AT [WWW.HERCULESUS.COM](http://WWW.HERCULESUS.COM)  
 OR BY CONTACTING YOUR REGIONAL HERCULES SALES TEAM.

# STYLE HSU HOMOGENEOUS U-SEALS

U-SEALS

Part Number	A Nom. ID	B Nom. OD	C Nom. Ht	D GROOVE WIDTH	D <sub>1</sub> GROOVE WIDTH WITH BACKUP	E ROD DIAMETER	F THROAT DIAMETER	G HOUSING DIAMETER	H GROOVE DIAMETER	I PISTON DIAMETER	J BORE DIAMETER	List Price
<b>7/32" C/S</b>												
HSU21-2.81-21-80D	2-13/16	3-1/4	7/32	.250 +0.015 +0.000	.312 ±0.010	2.812 +0.000 -0.002	2.813 +0.003 +0.000	3.250 +0.002 +0.000	2.812 +0.000 -0.002	3.248 +0.000 -0.002	3.250 +0.002 +0.000	\$6.55
HSU21-2.81-21-90DV	2-13/16	3-1/4	7/32	.250 +0.015 +0.000	.312 ±0.010	2.812 +0.000 -0.002	2.813 +0.003 +0.000	3.250 +0.002 +0.000	2.812 +0.000 -0.002	3.248 +0.000 -0.002	3.250 +0.002 +0.000	52.31
<b>1/4" C/S</b>												
HSU25-3.50-25-80D	3-1/2	4	1/4	.281 +0.015 +0.000	.344 ±0.010	3.500 +0.000 -0.002	3.501 +0.003 +0.000	4.000 +0.003 +0.000	3.500 +0.000 -0.003	3.998 +0.000 -0.002	4.000 +0.003 +0.000	\$6.84
HSU25-3.50-25-90DV	3-1/2	4	1/4	.281 +0.015 +0.000	.344 ±0.010	3.500 +0.000 -0.002	3.501 +0.003 +0.000	4.000 +0.003 +0.000	3.500 +0.000 -0.003	3.998 +0.000 -0.002	4.000 +0.003 +0.000	69.62
HSU25-4.50-25-80D	4-1/2	5	1/4	.281 +0.015 +0.000	.344 ±0.010	4.500 +0.000 -0.002	4.501 +0.003 +0.000	5.000 +0.003 +0.000	4.500 +0.000 -0.003	4.998 +0.000 -0.002	5.000 +0.003 +0.000	8.17
HSU25-4.50-25-90DV	4-1/2	5	1/4	.281 +0.015 +0.000	.344 ±0.010	4.500 +0.000 -0.002	4.501 +0.003 +0.000	5.000 +0.003 +0.000	4.500 +0.000 -0.003	4.998 +0.000 -0.002	5.000 +0.003 +0.000	46.08
<b>9/32" C/S</b>												
HSU28-4.43-28-80D	4-7/16	5	9/32	.312 +0.015 +0.000	.375 ±0.010	4.437 +0.000 -0.002	4.438 +0.003 +0.000	5.000 +0.003 +0.000	4.437 +0.000 -0.003	4.998 +0.000 -0.002	5.000 +0.003 +0.000	\$14.75
HSU28-4.43-28-90DV	4-7/16	5	9/32	.312 +0.015 +0.000	.375 ±0.010	4.437 +0.000 -0.002	4.438 +0.003 +0.000	5.000 +0.003 +0.000	4.437 +0.000 -0.003	4.998 +0.000 -0.002	5.000 +0.003 +0.000	70.84
HSU28-5.43-28-80D	5-7/16	6	9/32	.312 +0.015 +0.000	.375 ±0.010	5.437 +0.000 -0.002	5.438 +0.003 +0.000	6.000 +0.003 +0.000	5.437 +0.000 -0.003	5.998 +0.000 -0.003	6.000 +0.003 +0.000	16.93
HSU28-5.43-28-90DV	5-7/16	6	9/32	.312 +0.015 +0.000	.375 ±0.010	5.437 +0.000 -0.002	5.438 +0.003 +0.000	6.000 +0.003 +0.000	5.437 +0.000 -0.003	5.998 +0.000 -0.003	6.000 +0.003 +0.000	57.97
HSU28-6.43-28-80D	6-7/16	7	9/32	.312 +0.015 +0.000	.375 ±0.010	6.437 +0.000 -0.002	6.438 +0.003 +0.000	7.000 +0.003 +0.000	6.437 +0.000 -0.003	6.998 +0.000 -0.003	7.000 +0.003 +0.000	16.99
HSU28-6.43-28-90DV	6-7/16	7	9/32	.312 +0.015 +0.000	.375 ±0.010	6.437 +0.000 -0.002	6.438 +0.003 +0.000	7.000 +0.003 +0.000	6.437 +0.000 -0.003	6.998 +0.000 -0.003	7.000 +0.003 +0.000	104.13
<b>5/16" C/S</b>												
HSU31-5.37-31-80D	5-3/8	6	5/16	.344 +0.015 +0.000	.406 ±0.010	5.375 +0.000 -0.002	5.376 +0.003 +0.000	6.000 +0.004 +0.000	5.375 +0.000 -0.004	5.998 +0.000 -0.003	6.000 +0.003 +0.000	\$15.35
HSU31-5.37-31-90DV	5-3/8	6	5/16	.344 +0.015 +0.000	.406 ±0.010	5.375 +0.000 -0.002	5.376 +0.003 +0.000	6.000 +0.004 +0.000	5.375 +0.000 -0.004	5.998 +0.000 -0.003	6.000 +0.003 +0.000	74.53
HSU31-6.37-31-80D	6-3/8	7	5/16	.344 +0.015 +0.000	.406 ±0.010	6.375 +0.000 -0.002	6.376 +0.003 +0.000	7.000 +0.004 +0.000	6.375 +0.000 -0.004	6.998 +0.000 -0.003	7.000 +0.003 +0.000	24.28
HSU31-6.37-31-90DV	6-3/8	7	5/16	.344 +0.015 +0.000	.406 ±0.010	6.375 +0.000 -0.002	6.376 +0.003 +0.000	7.000 +0.004 +0.000	6.375 +0.000 -0.004	6.998 +0.000 -0.003	7.000 +0.003 +0.000	92.18
HSU31-7.37-31-80D	7-3/8	8	5/16	.344 +0.015 +0.000	.406 ±0.010	7.375 +0.000 -0.002	7.376 +0.003 +0.000	8.000 +0.004 +0.000	7.375 +0.000 -0.004	7.998 +0.000 -0.004	8.000 +0.003 +0.000	30.07
HSU31-7.37-31-90DV	7-3/8	8	5/16	.344 +0.015 +0.000	.406 ±0.010	7.375 +0.000 -0.002	7.376 +0.003 +0.000	8.000 +0.004 +0.000	7.375 +0.000 -0.004	7.998 +0.000 -0.004	8.000 +0.003 +0.000	147.49
<b>11/32" C/S</b>												
HSU34-9.31-34-80D	9-5/16	10	11/32	.375 +0.015 +0.000	.438 ±0.010	9.312 +0.000 -0.002	9.314 +0.003 +0.000	10.000 +0.004 +0.000	9.312 +0.000 -0.004	9.998 +0.000 -0.004	10.000 +0.003 +0.000	\$41.24
HSU34-9.31-34-90DV	9-5/16	10	11/32	.375 +0.015 +0.000	.438 ±0.010	9.312 +0.000 -0.002	9.314 +0.003 +0.000	10.000 +0.004 +0.000	9.312 +0.000 -0.004	9.998 +0.000 -0.004	10.000 +0.003 +0.000	179.39
<b>3/8" C/S</b>												
HSU37-11.25-37-80D	11-1/4	12	3/8	.406 +0.015 +0.000	.469 ±0.010	11.250 +0.000 -0.002	11.252 +0.004 +0.000	12.000 +0.005 +0.000	11.250 +0.000 -0.005	11.998 +0.000 -0.004	12.000 +0.004 +0.000	\$71.30
HSU37-11.25-37-90DV	11-1/4	12	3/8	.406 +0.015 +0.000	.469 ±0.010	11.250 +0.000 -0.002	11.252 +0.004 +0.000	12.000 +0.005 +0.000	11.250 +0.000 -0.005	11.998 +0.000 -0.004	12.000 +0.004 +0.000	214.50
<b>13/32" C/S</b>												
HSU40-13.18-40-80D	13-3/16	14	13/32	.438 +0.015 +0.000	.500 ±0.010	13.187 +0.000 -0.002	13.189 +0.004 +0.000	14.000 +0.005 +0.000	13.187 +0.000 -0.005	13.998 +0.000 -0.004	14.000 +0.004 +0.000	\$38.38
HSU40-13.18-40-90DV	13-3/16	14	13/32	.438 +0.015 +0.000	.500 ±0.010	13.187 +0.000 -0.002	13.189 +0.004 +0.000	14.000 +0.005 +0.000	13.187 +0.000 -0.005	13.998 +0.000 -0.004	14.000 +0.004 +0.000	290.64
<b>1/2" C/S</b>												
HSU50-11.00-50-80D	11	12	1/2	.531 +0.015 +0.000	.594 ±0.010	11.000 +0.000 -0.003	11.002 +0.004 +0.000	12.000 +0.007 +0.000	11.000 +0.000 -0.007	11.998 +0.000 -0.004	12.000 +0.005 +0.000	\$89.90

# STYLE HSU HOMOGENEOUS U-SEALS

Part Number	A Nom. ID	B Nom. OD	C Nom. Ht	D GROOVE WIDTH	D <sub>1</sub> GROOVE WIDTH WITH BACKUP	E ROD DIAMETER	F THROAT DIAMETER	G HOUSING DIAMETER	H GROOVE DIAMETER	I PISTON DIAMETER	J BORE DIAMETER	List Price
HSU50-11.00-50-90DV	11	12	1/2	.531 <sup>+0.015</sup> <sub>+0.000</sub>	.594 ±.010	11.000 <sup>+0.000</sup> <sub>-.003</sub>	11.002 <sup>+0.004</sup> <sub>+0.000</sub>	12.000 <sup>+0.007</sup> <sub>+0.000</sub>	11.000 <sup>+0.000</sup> <sub>-.007</sub>	11.998 <sup>+0.000</sup> <sub>-.004</sub>	12.000 <sup>+0.005</sup> <sub>+0.000</sub>	290.64
HSU50-13.00-50-80D	13	14	1/2	.531 <sup>+0.015</sup> <sub>+0.000</sub>	.594 ±.010	13.000 <sup>+0.000</sup> <sub>-.003</sub>	13.002 <sup>+0.004</sup> <sub>+0.000</sub>	14.000 <sup>+0.007</sup> <sub>+0.000</sub>	13.000 <sup>+0.000</sup> <sub>-.007</sub>	13.998 <sup>+0.000</sup> <sub>-.004</sub>	14.000 <sup>+0.005</sup> <sub>+0.000</sub>	92.97