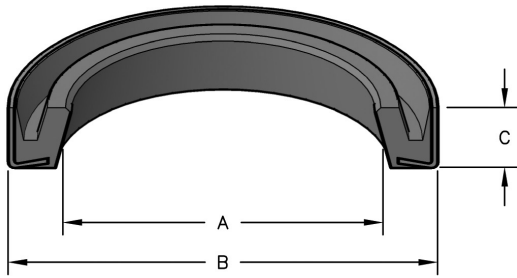
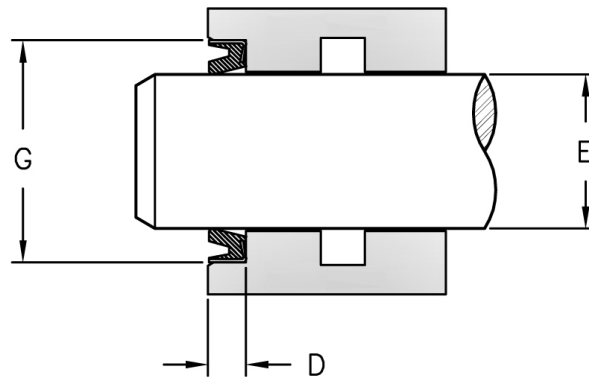


# STYLE MCN METAL CLAD WIPERS - RUBBER LIP



## HERCULES PART NUMBERS

**MCN - 0500**  
Prefix      Size



SEAL INFORMATION	
MATERIAL	RUBBER
TEMPERATURE RANGE	-40° TO +240° F
SPEED	3 FT/SEC

WIPER RINGS

Part Number	A Nom. ID	B Nom. OD	C Nom. Ht	D GROOVE WIDTH	E ROD DIAMETER	G HOUSING DIAMETER	List Price
MCN-0375	3/8	.63	.13	.130 ±.015	.375 ±.015	.630 ±.001	\$2.70
MCN-0500	1/2	11/16	3/32	.094 ±.015	.500 ±.003	.688 ±.001	2.87
MCN-0501	1/2	3/4	1/8	.125 ±.015	.500 ±.003	.750 ±.001	4.23
MCN-0626	5/8	7/8	1/8	.125 ±.015	.625 ±.003	.875 ±.001	3.27
MCN-0625	5/8	15/16	3/16	.188 ±.015	.625 ±.003	.938 ±.001	3.27
MCN-0751	3/4	1	1/8	.125 ±.015	.750 ±.003	1.000 ±.001	3.57
MCN-0750	3/4	1-1/4	1/4	.250 ±.015	.750 ±.003	1.250 ±.001	3.30
MCN-0873	7/8	1-1/8	1/8	.125 ±.015	.875 ±.003	1.125 ±.001	3.45
MCN-0875	7/8	1-1/4	3/16	.188 ±.015	.875 ±.003	1.250 ±.001	5.58
MCN-1001	1	1-1/4	1/8	.125 ±.015	1.000 ±.003	1.250 ±.001	3.45
MCN-1006	1	1-5/16	1/8	.125 ±.015	1.000 ±.003	1.313 ±.001	6.75
MCN-1003	1	1-3/8	3/16	.188 ±.015	1.000 ±.003	1.375 ±.001	3.98
MCN-1004	1	1-7/16	1/4	.250 ±.015	1.000 ±.003	1.438 ±.001	4.62
MCN-1005	1	1-1/2	3/16	.188 ±.015	1.000 ±.003	1.500 ±.001	3.32
MCN-1060	1-1/16	1-1/2	3/16	.188 ±.015	1.062 ±.003	1.500 ±.001	4.49
MCN-1126	1-1/8	1-3/8	1/8	.125 ±.015	1.125 ±.003	1.375 ±.001	3.32
MCN-1125	1-1/8	1-1/2	3/16	.188 ±.015	1.125 ±.003	1.500 ±.001	5.12
MCN-1127	1-1/8	1-9/16	1/4	.250 ±.015	1.125 ±.003	1.563 ±.001	3.58
MCN-1129	1-1/8	1-5/8	1/4	.250 ±.015	1.125 ±.003	1.625 ±.001	3.32
MCN-1251	1-1/4	1-1/2	1/8	.125 ±.015	1.250 ±.003	1.500 ±.001	3.32
MCN-1256	1-1/4	1-5/8	1/4	.250 ±.015	1.250 ±.003	1.625 ±.001	3.70
MCN-1253	1-1/4	1-11/16	3/16	.188 ±.015	1.250 ±.003	1.688 ±.001	3.58
MCN-1254	1-1/4	1-3/4	1/4	.250 ±.015	1.250 ±.003	1.750 ±.001	4.60
MCN-1255	1-1/4	1-7/8	1/4	.250 ±.015	1.250 ±.003	1.875 ±.001	5.24
MCN-1377	1-3/8	1-5/8	1/8	.125 ±.015	1.375 ±.003	1.625 ±.001	5.66
MCN-1375	1-3/8	1-3/4	3/16	.188 ±.015	1.375 ±.003	1.750 ±.001	3.58
MCN-1376	1-3/8	1-7/8	1/4	.250 ±.015	1.375 ±.003	1.875 ±.001	5.19
MCN-1503	1-1/2	1-7/8	3/16	.188 ±.015	1.500 ±.003	1.875 ±.001	3.58
MCN-1502	1-1/2	1-7/8	1/4	.250 ±.015	1.500 ±.003	1.875 ±.001	3.93

# STYLE MCN METAL CLAD WIPERS - RUBBER LIP

WIPER RINGS

Part Number	A Nom. ID	B Nom. OD	C Nom. Ht	D GROOVE WIDTH	E ROD DIAMETER	G HOUSING DIAMETER	List Price
MCN-1504	1-1/2	2	1/4	.250 ±.015	1.500 ±.003	2.000 ±.001	4.02
MCN-1625	1-5/8	2-1/8	1/4	.250 ±.015	1.625 ±.003	2.125 ±.001	5.48
MCN-1626	1-5/8	2-5/8	1/4	.250 ±.015	1.625 ±.003	2.625 ±.001	14.79
MCN-1753	1-3/4	2-1/8	3/16	.188 ±.015	1.750 ±.003	2.125 ±.001	8.61
MCN-1754	1-3/4	2-1/4	1/4	.250 ±.015	1.750 ±.003	2.250 ±.001	5.83
MCN-1755	1-3/4	2-3/8	1/4	.250 ±.015	1.750 ±.003	2.375 ±.001	5.95
MCN-1756	1-3/4	2-5/8	1/4	.250 ±.015	1.750 ±.003	2.625 ±.001	6.12
MCN-1877	1-7/8	2-1/4	3/16	.188 ±.015	1.875 ±.003	2.250 ±.001	9.77
MCN-1879	1-7/8	2-1/2	1/4	.250 ±.015	1.875 ±.003	2.500 ±.001	6.32
MCN-2001	2	2-3/8	3/16	.188 ±.015	2.000 ±.003	2.375 ±.001	6.32
MCN-2003	2	2-1/2	1/4	.250 ±.015	2.000 ±.003	2.500 ±.001	6.21
MCN-2002	2	2-5/8	1/4	.250 ±.015	2.000 ±.003	2.625 ±.001	6.51
MCN-2006	2	2-3/4	1/4	.250 ±.015	2.000 ±.003	2.750 ±.001	8.38
MCN-2007	2	2-7/8	15/32	.469 ±.015	2.000 ±.003	2.875 ±.001	12.06
MCN-2125	2-1/8	2-1/2	3/16	.188 ±.015	2.125 ±.003	2.500 ±.001	7.43
MCN-2251	2-1/4	2-5/8	1/4	.250 ±.015	2.250 ±.003	2.625 ±.001	7.43
MCN-2253	2-1/4	2-3/4	1/4	.250 ±.015	2.250 ±.003	2.750 ±.001	7.43
MCN-2255	2-1/4	2-7/8	1/4	.250 ±.015	2.250 ±.003	2.875 ±.001	7.43
MCN-2371	2-3/8	3	1/4	.250 ±.015	2.375 ±.003	3.000 ±.001	7.71
MCN-2501	2-1/2	3	1/4	.250 ±.015	2.500 ±.003	3.000 ±.001	7.62
MCN-2504	2-1/2	3-1/8	1/4	.250 ±.015	2.500 ±.003	3.125 ±.001	10.01
MCN-2660	2.66	3-1/4	3/8	.375 ±.015	2.660 ±.003	3.250 ±.001	8.58
MCN-2751	2-3/4	3-1/8	3/16	.188 ±.015	2.750 ±.003	3.125 ±.001	7.41
MCN-2750	2-3/4	3-1/4	1/4	.250 ±.015	2.750 ±.003	3.250 ±.001	8.74
MCN-2756	2-3/4	3-3/4	3/8	.375 ±.015	2.750 ±.003	3.750 ±.001	10.97
MCN-3001	3	3-1/2	1/4	.250 ±.015	3.000 ±.003	3.500 ±.001	8.30
MCN-3003	3	3-3/4	1/4	.250 ±.015	3.000 ±.003	3.750 ±.001	9.18
MCN-3504	3-1/2	4	1/4	.250 ±.015	3.500 ±.003	4.000 ±.001	11.73