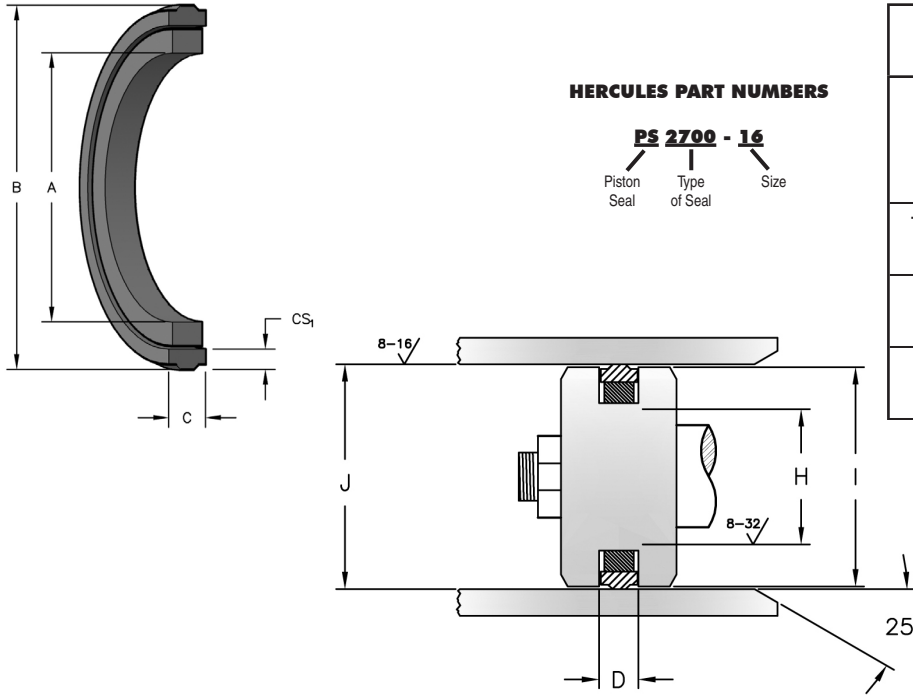


STYLE PS2700 POLYURETHANE PISTON SEALS

This seal, molded from high grade 55D polyurethane, may retrofit the PS1800 seals, considering all dimensions are comparable. This seal material, with a high degree of memory, stretches over the piston and snaps in the groove for immediate assembly. These seals also feature low friction and high abrasion and extrusion resistance which helps to eliminate assembly damage. Piston diameter "I" dimensions are given for pistons without wear rings.



SEAL INFORMATION	
MATERIAL	GLASS / PTFE FILLED 55D POLYURETHANE SEAL, RUBBER ENERGIZER
TEMPERATURE RANGE	-40° TO +220° F
PRESSURE RANGE	0 TO 5,000 PSI
SPEED	3 FT/SEC

Part Number	A Nom. ID	B Nom. OD	C Nom. Ht	D GROOVE WIDTH	H GROOVE DIAMETER	I PISTON DIAMETER	J BORE DIAMETER	C HEIGHT	CS ₁ RING CROSS SECTION	List Price
PS2700-16	.691	1	.119	.129 ±.002	.691 ±.001	.999 ^{+.000} _{-.009}	1.000 ^{+.002} _{+.000}	.119 ^{+.002} _{-.003}	.070 ±.003	\$6.31
PS2700-20	.941	1-1/4	.119	.129 ±.002	.941 ±.002	1.249 ^{+.000} _{-.009}	1.250 ^{+.002} _{+.000}	.119 ^{+.002} _{-.003}	.070 ±.003	6.31
PS2700-24	1.191	1-1/2	.119	.129 ±.002	1.191 ±.002	1.499 ^{+.000} _{-.009}	1.500 ^{+.002} _{+.000}	.119 ^{+.002} _{-.003}	.070 ±.003	6.60
PS2700-28	1.441	1-3/4	.119	.129 ±.002	1.441 ±.002	1.749 ^{+.000} _{-.009}	1.750 ^{+.002} _{+.000}	.119 ^{+.002} _{-.003}	.070 ±.003	6.60
PS2700-32	1.691	2	.119	.129 ±.002	1.691 ±.002	1.999 ^{+.000} _{-.009}	2.000 ^{+.003} _{+.000}	.119 ^{+.002} _{-.003}	.070 ±.003	7.12
PS2700-36	1.941	2-1/4	.119	.129 ±.002	1.941 ±.002	2.249 ^{+.000} _{-.009}	2.250 ^{+.003} _{+.000}	.119 ^{+.002} _{-.003}	.070 ±.003	7.51
PS2700-40A	1.962	2-1/2	.272	.284 ±.002	1.962 ±.002	2.499 ^{+.000} _{-.009}	2.500 ^{+.003} _{+.000}	.272 ^{+.002} _{-.003}	.090 ±.003	11.26
PS2700-40	2.191	2-1/2	.119	.129 ±.002	2.191 ±.002	2.499 ^{+.000} _{-.009}	2.500 ^{+.003} _{+.000}	.119 ^{+.002} _{-.003}	.070 ±.003	7.84
PS2700-44	2.441	2-3/4	.119	.129 ±.002	2.441 ±.002	2.749 ^{+.000} _{-.009}	2.750 ^{+.003} _{+.000}	.119 ^{+.002} _{-.003}	.070 ±.003	8.06
PS2700-48	2.462	3	.272	.283 ±.003	2.462 ±.002	2.999 ^{+.000} _{-.014}	3.000 ^{+.003} _{+.000}	.272 ^{+.002} _{-.003}	.090 ±.003	9.91
PS2700-52	2.712	3-1/4	.272	.283 ±.003	2.712 ±.002	3.249 ^{+.000} _{-.014}	3.250 ^{+.003} _{+.000}	.272 ^{+.002} _{-.003}	.090 ±.003	11.76
PS2700-56	2.962	3-1/2	.272	.283 ±.003	2.962 ±.002	3.499 ^{+.000} _{-.014}	3.500 ^{+.003} _{+.000}	.272 ^{+.002} _{-.003}	.090 ±.003	11.95
PS2700-60	3.212	3-3/4	.272	.283 ±.003	3.212 ±.003	3.749 ^{+.000} _{-.014}	3.750 ^{+.003} _{+.000}	.272 ^{+.002} _{-.003}	.090 ±.003	12.11
PS2700-64	3.462	4	.272	.283 ±.003	3.462 ±.003	3.999 ^{+.000} _{-.014}	4.000 ^{+.003} _{+.000}	.272 ^{+.002} _{-.003}	.090 ±.003	12.38

STYLE PS2700 POLYURETHANE PISTON SEALS

Part Number	A Nom. ID	B Nom. OD	C Nom. Ht	D GROOVE WIDTH	H GROOVE DIAMETER	I PISTON DIAMETER	J BORE DIAMETER	C HEIGHT	CS ₁ RING CROSS SECTION	List Price
PS2700-68	3.712	4-1/4	.272	.283 ±.003	3.712 ±.003	4.249 ^{+0.00} _{-.014}	4.250 ^{+0.003} _{+.000}	.272 ^{+0.002} _{-.003}	.090 ±.003	12.46
PS2700-72	3.962	4-1/2	.272	.283 ±.003	3.962 ±.003	4.499 ^{+0.00} _{-.014}	4.500 ^{+0.003} _{+.000}	.272 ^{+0.002} _{-.003}	.090 ±.003	12.86
PS2700-76	4.212	4-3/4	.272	.283 ±.003	4.212 ±.003	4.749 ^{+0.00} _{-.014}	4.750 ^{+0.004} _{+.000}	.272 ^{+0.002} _{-.003}	.090 ±.003	13.32
PS2700-80	4.462	5	.272	.283 ±.003	4.462 ±.003	4.999 ^{+0.00} _{-.014}	5.000 ^{+0.004} _{+.000}	.272 ^{+0.002} _{-.003}	.090 ±.003	15.30
PS2700-84	4.504	5-1/4	.365	.378 ±.004	4.504 ±.003	5.249 ^{+0.00} _{-.014}	5.250 ^{+0.004} _{+.000}	.365 ^{+0.002} _{-.003}	.142 ±.005	21.35
PS2700-88	4.754	5-1/2	.365	.378 ±.004	4.754 ±.003	5.499 ^{+0.00} _{-.014}	5.500 ^{+0.004} _{+.000}	.365 ^{+0.002} _{-.003}	.142 ±.005	21.54
PS2700-96	5.254	6	.365	.378 ±.004	5.254 ±.003	5.999 ^{+0.00} _{-.014}	6.000 ^{+0.004} _{+.000}	.365 ^{+0.002} _{-.003}	.142 ±.005	22.50
PS2700-100	5.504	6-1/4	.365	.378 ±.004	5.504 ±.003	6.249 ^{+0.00} _{-.014}	6.250 ^{+0.004} _{+.000}	.365 ^{+0.002} _{-.003}	.142 ±.005	23.17
PS2700-104	5.754	6-1/2	.365	.378 ±.004	5.754 ±.003	6.499 ^{+0.00} _{-.014}	6.500 ^{+0.004} _{+.000}	.365 ^{+0.002} _{-.003}	.142 ±.005	23.19
PS2700-112	6-1/4	7	.365	.378 ±.004	6.250 ±.003	6.999 ^{+0.00} _{-.014}	7.000 ^{+0.004} _{+.000}	.365 ^{+0.002} _{-.003}	.142 ±.005	23.55
PS2700-116	6.504	7-1/4	.365	.378 ±.004	6.504 ±.003	7.249 ^{+0.00} _{-.014}	7.250 ^{+0.005} _{+.000}	.365 ^{+0.002} _{-.003}	.142 ±.005	24.21
PS2700-128	7.254	8	.365	.378 ±.004	7.254 ±.004	7.999 ^{+0.00} _{-.014}	8.000 ^{+0.005} _{+.000}	.365 ^{+0.002} _{-.003}	.142 ±.005	24.77
PS2700-136	7.754	8-1/2	.365	.378 ±.004	7.754 ±.004	8.499 ^{+0.00} _{-.014}	8.500 ^{+0.005} _{+.000}	.365 ^{+0.002} _{-.003}	.142 ±.005	28.23
PS2700-144	8.137	9	.365	.378 ±.004	8.137 ±.004	8.999 ^{+0.00} _{-.014}	9.000 ^{+0.005} _{+.000}	.365 ^{+0.002} _{-.003}	.203 ^{+0.007} _{-.008}	57.77
PS2700-160	9.137	10	.365	.378 ±.004	9.137 ±.004	9.999 ^{+0.00} _{-.014}	10.000 ^{+0.005} _{+.000}	.365 ^{+0.002} _{-.003}	.203 ^{+0.007} _{-.008}	68.22