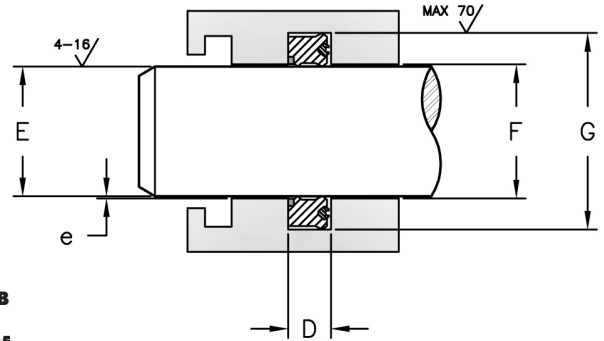
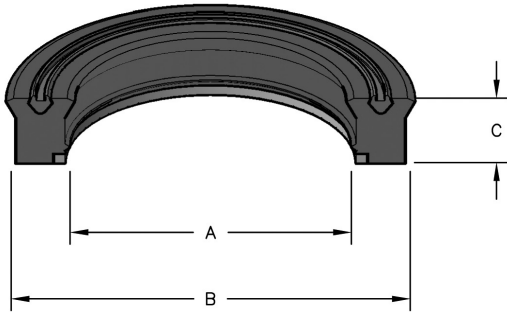


# STYLE RTUB SUPER-DUTY ROD U-SEALS

Featuring high pressure and high shock load capability, this seal utilizes the same twin lip design found in Hercules® Sealing Products' RTU style. With the main body of the seal molded from high performance polyurethane, this seal incorporates a dynamically designed nitrile energizer and a tough polyacetal anti-extrusion ring. RTUB is capable of pressures up to 10,000 psi in approved applications. Please consult Hercules Engineering for pressures above 6,000 psi.



### HERCULES PART NUMB

**RTUB 18 - 1.25 - 25**

Type of Seal: RTUB  
 Cross Section: 18  
 Inside Diameter: 1.25  
 Height: 25

SEAL INFORMATION					
MATERIAL	94A URETHANE SEAL RUBBER ENERGIZER POLYACETAL ANTI-EXTRUSION RING				
MAXIMUM OPERATING CONDITIONS					
MAXIMUM SPEED	PRESSURE RANGE		TEMPERATURE RANGE		
3 FT/SEC	0 - 6,000 PSI		-50° to +230° F		
MAXIMUM EXTRUSION GAP					
PRESSURE	2,400 PSI	3,750 PSI	6,000 PSI	7,500 PSI	10,000 PSI
MAX. DIAM. GAP	.040"	.032"	.024"	.016"	.010"

Part Number	A Nom. ID	B Nom. OD	C Nom. Ht	D GROOVE WIDTH	E ROD DIAMETER	F THROAT DIAMETER	G HOUSING DIAMETER	List Price
<b>3/16" C/S</b>								
RTUB18-1.25-25	1-1/4	1-5/8	1/4	.275 <sup>+0.010</sup> / <sub>+0.000</sub>	1.250 <sup>-0.0010</sup> / <sub>-0.0034</sub>	1.251 <sup>+0.003</sup> / <sub>+0.000</sub>	1.625 ±.0031	\$ 14.83
RTUB18-1.25-31	1-1/4	1-5/8	.313	.344 <sup>+0.010</sup> / <sub>+0.000</sub>	1.250 <sup>-0.0010</sup> / <sub>-0.0034</sub>	1.251 <sup>+0.003</sup> / <sub>+0.000</sub>	1.625 ±.0031	15.10
RTUB18-1.50-25	1-1/2	1-7/8	1/4	.275 <sup>+0.010</sup> / <sub>+0.000</sub>	1.500 <sup>-0.0010</sup> / <sub>-0.0034</sub>	1.501 <sup>+0.003</sup> / <sub>+0.000</sub>	1.875 ±.0031	18.80
RTUB18-1.50-31	1-1/2	1-7/8	5/16	.344 <sup>+0.010</sup> / <sub>+0.000</sub>	1.500 <sup>-0.0010</sup> / <sub>-0.0034</sub>	1.501 <sup>+0.003</sup> / <sub>+0.000</sub>	1.875 ±.0031	18.80
RTUB18-1.75-25	1-3/4	2-1/8	1/4	.275 <sup>+0.010</sup> / <sub>+0.000</sub>	1.750 <sup>-0.0010</sup> / <sub>-0.0034</sub>	1.751 <sup>+0.003</sup> / <sub>+0.000</sub>	2.125 ±.0037	20.11
RTUB18-1.75-37	1-3/4	2-1/8	3/8	.413 <sup>+0.010</sup> / <sub>+0.000</sub>	1.750 <sup>-0.0010</sup> / <sub>-0.0034</sub>	1.751 <sup>+0.003</sup> / <sub>+0.000</sub>	2.125 ±.0037	20.19
RTUB18-2.00-37	2	2-3/8	3/8	.413 <sup>+0.010</sup> / <sub>+0.000</sub>	2.000 <sup>-0.0012</sup> / <sub>-0.0041</sub>	2.001 <sup>+0.004</sup> / <sub>+0.000</sub>	2.375 ±.0037	22.74
RTUB18-3.75-37	3-3/4	4-1/8	3/8	.413 <sup>+0.010</sup> / <sub>+0.000</sub>	3.750 <sup>-0.0014</sup> / <sub>-0.0048</sub>	3.751 <sup>+0.004</sup> / <sub>+0.000</sub>	4.125 ±.0043	46.31

# STYLE RTUB SUPER-DUTY ROD U-SEALS

ROD U-SEALS

Part Number	A Nom. ID	B Nom. OD	C Nom. Ht	D GROOVE WIDTH	E ROD DIAMETER	F THROAT DIAMETER	G HOUSING DIAMETER	List Price
<b>1/4" C/S</b>								
RTUB25-1.37-37	1-3/8	1-7/8	3/8	.413 <sup>+010</sup> / <sub>+000</sub>	1.375 <sup>-0010</sup> / <sub>-0034</sub>	1.376 <sup>+003</sup> / <sub>+000</sub>	1.875 ±.0031	\$ 18.66
RTUB25-1.50-37	1-1/2	2	3/8	.413 <sup>+010</sup> / <sub>+000</sub>	1.500 <sup>-0010</sup> / <sub>-0034</sub>	1.501 <sup>+003</sup> / <sub>+000</sub>	2.000 ±.0037	20.58
RTUB25-1.75-37	1-3/4	2-1/4	3/8	.413 <sup>+010</sup> / <sub>+000</sub>	1.750 <sup>-0010</sup> / <sub>-0034</sub>	1.751 <sup>+003</sup> / <sub>+000</sub>	2.250 ±.0037	22.74
RTUB25-2.00-37	2	2-1/2	3/8	.413 <sup>+010</sup> / <sub>+000</sub>	2.000 <sup>-0012</sup> / <sub>-0041</sub>	2.001 <sup>+004</sup> / <sub>+000</sub>	2.500 ±.0037	24.77
RTUB25-2.12-37	2-1/8	2-5/8	3/8	.413 <sup>+010</sup> / <sub>+000</sub>	2.125 <sup>-0012</sup> / <sub>-0041</sub>	2.126 <sup>+004</sup> / <sub>+000</sub>	2.625 ±.0037	26.17
RTUB25-2.25-37	2-1/4	2-3/4	3/8	.413 <sup>+010</sup> / <sub>+000</sub>	2.250 <sup>-0012</sup> / <sub>-0041</sub>	2.251 <sup>+004</sup> / <sub>+000</sub>	2.750 ±.0037	27.88
RTUB25-2.37-37	2-3/8	2-7/8	3/8	.413 <sup>+010</sup> / <sub>+000</sub>	2.375 <sup>-0012</sup> / <sub>-0041</sub>	2.376 <sup>+004</sup> / <sub>+000</sub>	2.875 ±.0037	29.04
RTUB25-2.50-37	2-1/2	3	3/8	.413 <sup>+010</sup> / <sub>+000</sub>	2.500 <sup>-0012</sup> / <sub>-0041</sub>	2.501 <sup>+004</sup> / <sub>+000</sub>	3.000 ±.0037	30.51
RTUB25-2.75-37	2-3/4	3-1/4	3/8	.413 <sup>+010</sup> / <sub>+000</sub>	2.750 <sup>-0012</sup> / <sub>-0041</sub>	2.751 <sup>+004</sup> / <sub>+000</sub>	3.250 ±.0043	33.45
RTUB25-3.00-37	3	3-1/2	3/8	.413 <sup>+010</sup> / <sub>+000</sub>	3.000 <sup>-0012</sup> / <sub>-0041</sub>	3.001 <sup>+004</sup> / <sub>+000</sub>	3.500 ±.0043	36.24
RTUB25-3.25-37	3-1/4	3-3/4	3/8	.413 <sup>+010</sup> / <sub>+000</sub>	3.250 <sup>-0014</sup> / <sub>-0048</sub>	3.251 <sup>+004</sup> / <sub>+000</sub>	3.750 ±.0043	38.71
RTUB25-3.50-37	3-1/2	4	3/8	.413 <sup>+010</sup> / <sub>+000</sub>	3.500 <sup>-0014</sup> / <sub>-0048</sub>	3.501 <sup>+004</sup> / <sub>+000</sub>	4.000 ±.0043	41.71
RTUB25-3.62-37	3-5/8	4-1/8	3/8	.413 <sup>+010</sup> / <sub>+000</sub>	3.625 <sup>-001</sup> / <sub>-005</sub>	3.626 <sup>+004</sup> / <sub>+000</sub>	4.125 ±.004	41.82
RTUB25-3.75-37	3-3/4	4-1/4	3/8	.413 <sup>+010</sup> / <sub>+000</sub>	3.750 <sup>-001</sup> / <sub>-005</sub>	3.751 <sup>+004</sup> / <sub>+000</sub>	4.250 ±.004	44.23
RTUB25-4.00-37	4	4-1/2	3/8	.413 <sup>+010</sup> / <sub>+000</sub>	4.000 <sup>-0014</sup> / <sub>-0048</sub>	4.001 <sup>+004</sup> / <sub>+000</sub>	4.500 ±.0043	46.74
RTUB25-4.00-56	4	4-1/2	9/16	.619 <sup>+010</sup> / <sub>+000</sub>	4.000 <sup>-0014</sup> / <sub>-0048</sub>	4.001 <sup>+004</sup> / <sub>+000</sub>	4.500 ±.0043	50.67
RTUB25-4.50-37	4-1/2	5	3/8	.413 <sup>+010</sup> / <sub>+000</sub>	4.500 <sup>-0014</sup> / <sub>-0048</sub>	4.501 <sup>+004</sup> / <sub>+000</sub>	5.000 ±.0049	55.67
RTUB25-4.50-56	4-1/2	5	9/16	.619 <sup>+010</sup> / <sub>+000</sub>	4.500 <sup>-0014</sup> / <sub>-0048</sub>	4.501 <sup>+004</sup> / <sub>+000</sub>	5.000 ±.0049	55.67
RTUB25-5.00-56	5	5-1/2	9/16	.619 <sup>+010</sup> / <sub>+000</sub>	5.000 <sup>-0017</sup> / <sub>-0056</sub>	5.001 <sup>+004</sup> / <sub>+000</sub>	5.500 ±.0049	63.41
RTUB25-5.50-56	5-1/2	6	9/16	.619 <sup>+010</sup> / <sub>+000</sub>	5.500 <sup>-0017</sup> / <sub>-0056</sub>	5.501 <sup>+004</sup> / <sub>+000</sub>	6.000 ±.0049	74.24
RTUB25-6.00-56	6	6-1/2	9/16	.619 <sup>+010</sup> / <sub>+000</sub>	6.000 <sup>-0017</sup> / <sub>-0056</sub>	6.001 <sup>+004</sup> / <sub>+000</sub>	6.500 ±.0049	81.78
RTUB25-7.00-50	7	7-1/2	1/2	.550 <sup>+010</sup> / <sub>+000</sub>	7.000 <sup>-013</sup> / <sub>-049</sub>	7.001 <sup>+003</sup> / <sub>+000</sub>	7.500 ±.045	102.10
<b>5/16" C/S</b>								
RTUB31-2.50-50	2-1/2	3-1/8	1/2	.550 <sup>+010</sup> / <sub>+000</sub>	2.500 <sup>-0012</sup> / <sub>-0041</sub>	2.501 <sup>+004</sup> / <sub>+000</sub>	3.125 ±.0037	\$ 33.76
RTUB31-3.00-50	3	3-5/8	1/2	.550 <sup>+010</sup> / <sub>+000</sub>	3.000 <sup>-0012</sup> / <sub>-0041</sub>	3.001 <sup>+004</sup> / <sub>+000</sub>	3.625 ±.0043	41.57
RTUB31-3.50-50	3-1/2	4-1/8	1/2	.550 <sup>+010</sup> / <sub>+000</sub>	3.500 <sup>-0014</sup> / <sub>-0048</sub>	3.501 <sup>+004</sup> / <sub>+000</sub>	4.125 ±.0043	48.33
RTUB31-4.00-37	4	4-5/8	3/8	.413 <sup>+010</sup> / <sub>+000</sub>	4.000 <sup>-001</sup> / <sub>-005</sub>	4.001 <sup>+004</sup> / <sub>+000</sub>	4.625 ±.004	52.43
RTUB31-4.00-50	4	4-5/8	1/2	.550 <sup>+010</sup> / <sub>+000</sub>	4.000 <sup>-0014</sup> / <sub>-0048</sub>	4.001 <sup>+004</sup> / <sub>+000</sub>	4.625 ±.0043	49.83
RTUB31-4.00-56	4	4-5/8	9/16	.619 <sup>+010</sup> / <sub>+000</sub>	4.000 <sup>-0014</sup> / <sub>-0048</sub>	4.001 <sup>+004</sup> / <sub>+000</sub>	4.625 ±.0043	55.03
RTUB31-4.50-37	4-1/2	5-1/8	3/8	.413 <sup>+010</sup> / <sub>+000</sub>	4.500 <sup>-001</sup> / <sub>-005</sub>	4.501 <sup>+004</sup> / <sub>+000</sub>	5.125 ±.005	66.22
RTUB31-4.50-62	4-1/2	5-1/8	5/8	.688 <sup>+010</sup> / <sub>+000</sub>	4.500 <sup>-0014</sup> / <sub>-0048</sub>	4.501 <sup>+004</sup> / <sub>+000</sub>	5.125 ±.0049	61.29
RTUB31-5.00-62	5	5-5/8	5/8	.688 <sup>+010</sup> / <sub>+000</sub>	5.000 <sup>-0017</sup> / <sub>-0056</sub>	5.001 <sup>+004</sup> / <sub>+000</sub>	5.625 ±.0049	71.15

# STYLE RTUB SUPER-DUTY ROD U-SEALS

ROD U-SEALS

Part Number	A Nom. ID	B Nom. OD	C Nom. Ht	D GROOVE WIDTH	E ROD DIAMETER	F THROAT DIAMETER	G HOUSING DIAMETER	List Price
RTUB31-5.50-37	5-1/2	6-1/8	3/8	.413 <sup>+010</sup> / <sub>+000</sub>	5.500 <sup>-002</sup> / <sub>-006</sub>	5.501 <sup>+004</sup> / <sub>+000</sub>	6.125 ±005	87.83
<b>3/8" C/S</b>								
RTUB37-3.00-62	3	3-3/4	5/8	.688 <sup>+010</sup> / <sub>+000</sub>	3.000 <sup>-0012</sup> / <sub>-0041</sub>	3.001 <sup>+004</sup> / <sub>+000</sub>	3.750 ±0043	\$58.87
RTUB37-3.25-62	3-1/4	4	5/8	.688 <sup>+010</sup> / <sub>+000</sub>	3.250 <sup>-0014</sup> / <sub>-0048</sub>	3.251 <sup>+004</sup> / <sub>+000</sub>	4.000 ±0043	56.68
RTUB37-3.50-62	3-1/2	4-1/4	5/8	.688 <sup>+010</sup> / <sub>+000</sub>	3.500 <sup>-0014</sup> / <sub>-0048</sub>	3.501 <sup>+004</sup> / <sub>+000</sub>	4.250 ±0043	67.11
RTUB37-4.00-62	4	4-3/4	5/8	.688 <sup>+010</sup> / <sub>+000</sub>	4.000 <sup>-0014</sup> / <sub>-0048</sub>	4.001 <sup>+004</sup> / <sub>+000</sub>	4.750 ±0049	75.41
RTUB37-4.25-62	4-1/4	5	5/8	.688 <sup>+010</sup> / <sub>+000</sub>	4.250 <sup>-0014</sup> / <sub>-0048</sub>	4.251 <sup>+004</sup> / <sub>+000</sub>	5.000 ±0049	70.54
RTUB37-4.50-62	4-1/2	5-1/4	5/8	.688 <sup>+010</sup> / <sub>+000</sub>	4.500 <sup>-0014</sup> / <sub>-0048</sub>	4.501 <sup>+004</sup> / <sub>+000</sub>	5.250 ±0049	82.41
RTUB37-4.75-37	4-3/4	5-1/2	3/8	.413 <sup>+010</sup> / <sub>+000</sub>	4.750 <sup>-0017</sup> / <sub>-0056</sub>	4.751 <sup>+004</sup> / <sub>+000</sub>	5.500 ±0049	75.41
RTUB37-4.75-62	4-3/4	5-1/2	5/8	.688 <sup>+010</sup> / <sub>+000</sub>	4.750 <sup>-0017</sup> / <sub>-0056</sub>	4.751 <sup>+004</sup> / <sub>+000</sub>	5.500 ±0049	78.17
RTUB37-5.00-62	5	5-3/4	5/8	.688 <sup>+010</sup> / <sub>+000</sub>	5.000 <sup>-0017</sup> / <sub>-0056</sub>	5.001 <sup>+004</sup> / <sub>+000</sub>	5.750 ±0049	90.22
RTUB37-5.25-62	5-1/4	6	5/8	.688 <sup>+010</sup> / <sub>+000</sub>	5.250 <sup>-002</sup> / <sub>-006</sub>	5.251 <sup>+004</sup> / <sub>+000</sub>	6.000 ±005	87.83
RTUB37-5.75-62	5-3/4	6-1/2	5/8	.688 <sup>+010</sup> / <sub>+000</sub>	5.750 <sup>-0017</sup> / <sub>-0056</sub>	5.751 <sup>+004</sup> / <sub>+000</sub>	6.500 ±0049	85.43
RTUB37-6.00-62	6	6-3/4	5/8	.688 <sup>+010</sup> / <sub>+000</sub>	6.000 <sup>-0017</sup> / <sub>-0056</sub>	6.001 <sup>+004</sup> / <sub>+000</sub>	6.750 ±0049	105.63
RTUB37-8.00-62	8	8-3/4	5/8	.688 <sup>+010</sup> / <sub>+000</sub>	8.000 <sup>-0020</sup> / <sub>-0065</sub>	8.001 <sup>+004</sup> / <sub>+000</sub>	8.750 ±0057	171.59
<b>1/2" C/S</b>								
RTUB50-10.00-75	10	11	3/4	.825 <sup>+010</sup> / <sub>+000</sub>	10.000 <sup>-0022</sup> / <sub>-0073</sub>	10.001 <sup>+004</sup> / <sub>+000</sub>	11.000 ±0063	\$268.88

Seal color may vary. Special order sizes are available. Sizes not shown and out of stock items can also be ordered for next day delivery through Seals On Demand, our custom seal program. Please call your regional sales team for assistance.

**Online Ordering Available!**  
Go to [www.HerculesUS.com](http://www.HerculesUS.com)

**Web Features Include:**

**Custom Seal Configurator with Instant Pricing & Availability, Quick Order Entry System, Customer Specific Control Panel (track your package, top parts searched & ordered and more), Real-Time Inventory, Customer Specific Pricing, Search by Size, Search by Machine Type, Billing Portal, Large Order Excel Upload, iPhone & Android Apps with Customer Managed Inventory, and Much More.**