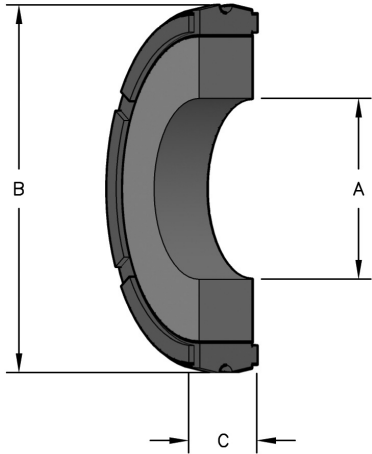


STYLE MPSU300 TWO PIECE PISTON SEALS

The MPSU300 is a compact, double-acting piston seal consisting of two parts: a urethane sealing ring with a pronounced sealing edge and a rectangular nitrile energizer to prevent the seal from twisting within the groove. It also has low friction and smooth operating movement even at low linear velocities.

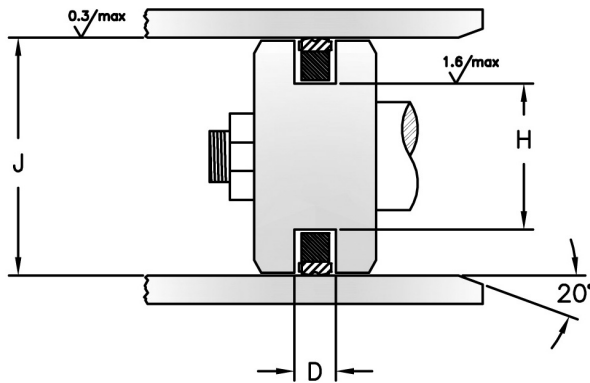


HERCULES PART NUMBERS

MPSU300 - 40 X 27 X 6

Type of Seal: MPSU300
 Bore: 40
 Groove Diameter: 27
 Seal Height: 6

SEAL INFORMATION	
MATERIAL	94A URETHANE SEAL 70/80A NITRILE ENERGIZER
TEMPERATURE RANGE	-22 TO +212° F
PRESSURE RANGE	0 TO 5,800 PSI
SPEED	1.5 FT/SEC



MAXIMUM EXTRUSION GAP				
GROOVE WIDTH (mm)	2,400 psi 16MPa	3,700 psi 26MPa	4,700 psi 32 MPa	5,800 psi 40 MPa
3.2	0.3	0.2	-	-
4.2	0.4	0.3	0.2	-
6.3	0.5	0.4	0.3	0.25
8.1	0.6	0.5	0.4	0.35
10.5	0.65	0.55	0.45	0.4

Part Number	A Nom. ID	B Nom. OD	C Nom. Ht	D GROOVE WIDTH	H GROOVE DIAMETER	J BORE DIAMETER	List Price
MPSU300-25X17.5X3	17.5	25	3	3.20 +0.20 +0.00	17.50 +0.000 -0.043	25.00 +0.052 +0.000	\$13.39
MPSU300-32X24.5X3	24.5	32	3	3.20 +0.20 +0.00	24.50 +0.000 -0.052	32.00 +0.062 +0.000	18.49
MPSU300-40X27X6	27	40	6	6.30 +0.20 +0.00	27.00 +0.000 -0.052	40.00 +0.062 +0.000	16.29
MPSU300-40X29X4	29	40	4	4.20 +0.20 +0.00	29.00 +0.000 -0.052	40.00 +0.062 +0.000	16.17
MPSU300-45X34X4	34	45	4	4.20 +0.20 +0.00	34.00 +0.000 -0.062	45.00 +0.062 +0.000	20.07
MPSU300-50X34.5X6	34.5	50	6	6.30 +0.20 +0.00	34.50 +0.000 -0.062	50.00 +0.062 +0.000	12.98
MPSU300-50X37X6	37	50	6	6.30 +0.20 +0.00	37.00 +0.000 -0.062	50.00 +0.062 +0.000	13.62
MPSU300-50X39X4	39	50	4	4.20 +0.20 +0.00	39.00 +0.000 -0.062	50.00 +0.062 +0.000	14.31
MPSU300-55X39.5X6	39.5	55	6	6.30 +0.20 +0.00	39.50 +0.000 -0.062	55.00 +0.074 +0.000	14.83
MPSU300-60X44.5X6	44.5	60	6	6.30 +0.20 +0.00	44.50 +0.000 -0.062	60.00 +0.074 +0.000	16.29
MPSU300-60X49X4	49	60	4	4.20 +0.20 +0.00	49.00 +0.000 -0.062	60.00 +0.074 +0.000	16.51
MPSU300-63X47.5X6	47.5	63	6	6.30 +0.20 +0.00	47.50 +0.000 -0.062	63.00 +0.074 +0.000	28.18

STYLE MPSU300 TWO PIECE PISTON SEALS

Part Number	A Nom. ID	B Nom. OD	C Nom. Ht	D GROOVE WIDTH	H GROOVE DIAMETER	J BORE DIAMETER	List Price
MPSU300-63X50X6	50	63	6	6.30 +0.20 +0.00	50.00 +0.000 -0.062	63.00 +0.074 +0.000	19.18
MPSU300-63X52X4	52	63	4	4.20 +0.20 +0.00	52.00 +0.000 -0.074	63.00 +0.074 +0.000	19.13
MPSU300-65X49.5X6	49.5	65	6	6.30 +0.20 +0.00	49.50 +0.000 -0.062	65.00 +0.074 +0.000	21.46
MPSU300-70X54.5X5.9	54.5	70	5.9	6.30 +0.20 +0.00	54.50 +0.000 -0.074	70.00 +0.074 +0.000	19.56
MPSU300-70X55X7.3	55	70	7.3	7.50 +0.20 +0.00	55.00 +0.000 -0.074	70.00 +0.074 +0.000	19.74
MPSU300-75X59.5X6	59.5	75	6	6.30 +0.20 +0.00	59.50 +0.000 -0.074	75.00 +0.074 +0.000	19.79
MPSU300-80X59X10	59	80	10	10.30 +0.20 +0.00	59.00 +0.000 -0.074	80.00 +0.074 +0.000	22.63
MPSU300-80X64.5X6	64.5	80	6	6.30 +0.20 +0.00	64.50 +0.000 -0.074	80.00 +0.074 +0.000	24.65
MPSU300-80X66.5X6	66.5	80	6	6.30 +0.20 +0.00	66.50 +0.000 -0.074	80.00 +0.074 +0.000	30.62
MPSU300-85X69.5X6	69.5	85	6	6.30 +0.20 +0.00	69.50 +0.000 -0.074	85.00 +0.087 +0.000	38.07
MPSU300-85X71.5X6	71.5	85	6	6.30 +0.20 +0.00	71.50 +0.000 -0.074	85.00 +0.087 +0.000	38.62
MPSU300-90X74.5X6	74.5	90	6	6.30 +0.20 +0.00	74.50 +0.000 -0.074	90.00 +0.087 +0.000	38.98
MPSU300-90X75X7.3	75	90	7.3	7.50 +0.20 +0.00	75.00 +0.000 -0.074	90.00 +0.087 +0.000	46.79
MPSU300-95X79.5X6	79.5	95	6	6.30 +0.20 +0.00	79.50 +0.000 -0.074	95.00 +0.087 +0.000	39.63
MPSU300-100X79X7.8	79	100	7.8	8.10 +0.20 +0.00	79.00 +0.000 -0.074	100.00 +0.087 +0.000	40.67
MPSU300-100X84.5X6	84.5	100	6	6.30 +0.20 +0.00	84.50 +0.000 -0.087	100.00 +0.087 +0.000	40.76
MPSU300-110X89X7.8	89	110	7.8	8.10 +0.20 +0.00	89.00 +0.000 -0.087	110.00 +0.087 +0.000	41.00
MPSU300-110X94.5X6	94.5	110	6	6.30 +0.20 +0.00	94.50 +0.000 -0.087	110.00 +0.087 +0.000	41.22
MPSU300-115X94X7.8	94	115	7.8	8.10 +0.20 +0.00	94.00 +0.000 -0.087	115.00 +0.087 +0.000	47.96
MPSU300-120X99X7.8	99	120	7.8	8.10 +0.20 +0.00	99.00 +0.000 -0.087	120.00 +0.087 +0.000	49.72
MPSU300-120X99X10	99	120	10	10.50 +0.20 +0.00	99.00 +0.000 -0.087	120.00 +0.087 +0.000	53.84
MPSU300-125X104X7.8	104	125	7.8	8.10 +0.20 +0.00	104.00 +0.000 -0.087	125.00 +0.10 +0.00	56.32
MPSU300-125X104X10	104	125	10	10.30 +0.20 +0.00	104.00 +0.000 -0.087	125.00 +0.10 +0.00	58.00
MPSU300-125X109.5X6	109.5	125	6	6.30 +0.20 +0.00	109.50 +0.000 -0.087	125.00 +0.10 +0.00	69.53
MPSU300-130X109X7.8	109	130	7.8	8.10 +0.20 +0.00	109.00 +0.000 -0.087	130.00 +0.10 +0.00	71.30
MPSU300-140X119X7.8	119	140	7.8	8.10 +0.20 +0.00	119.00 +0.000 -0.087	140.00 +0.10 +0.00	65.82
MPSU300-140X119X10	119	140	10	10.50 +0.20 +0.00	119.00 +0.000 -0.087	140.00 +0.10 +0.00	64.70
MPSU300-150X129X7.8	129	150	7.8	8.10 +0.20 +0.00	129.00 +0.00 -0.10	150.00 +0.10 +0.00	47.04
MPSU300-150X129X10	129	150	10	10.50 +0.20 +0.00	129.00 +0.00 -0.10	150.00 +0.10 +0.00	65.15
MPSU300-160X139X7.8	139	160	7.8	8.10 +0.20 +0.00	139.00 +0.00 -0.10	160.00 +0.10 +0.00	107.23
MPSU300-180X159X7.8	159	180	7.8	8.10 +0.20 +0.00	159.00 +0.00 -0.10	180.00 +0.10 +0.00	126.76

Seal color may vary. Special order sizes are available. Sizes not shown and out of stock items can also be ordered for next day delivery through Seals On Demand, our custom seal program. Please call your regional sales team for assistance.