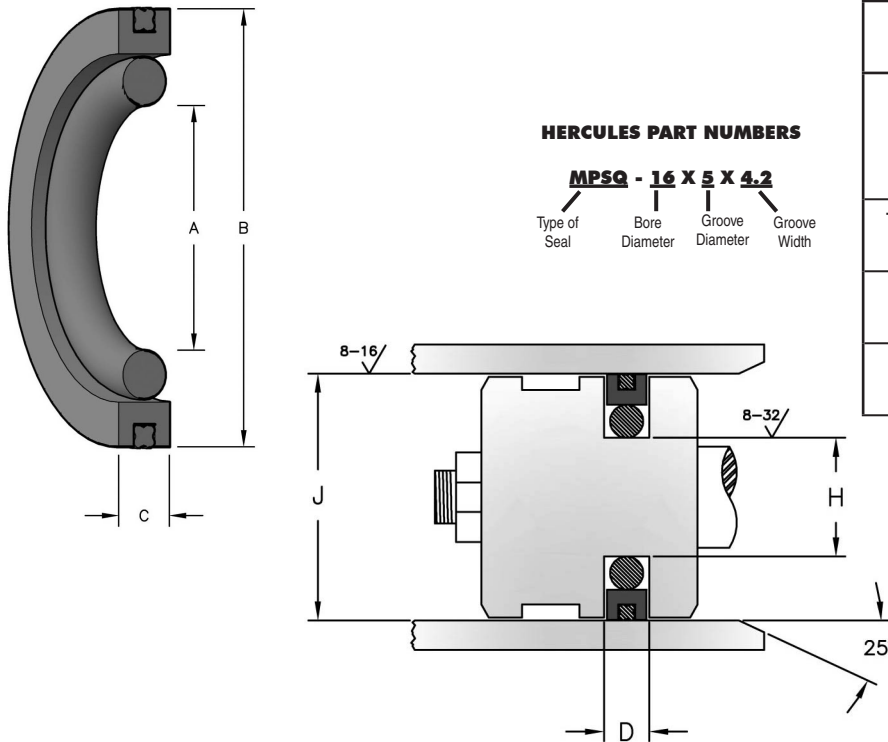


STYLE MPSQ PISTON SEALS

MPSQ piston seals are designed for bi-directional, low friction sealing with increased stability and superior leakage control. This seal is highly effective in applications requiring media separation or low gas permeation rate. This double acting seal is primarily used in accumulators and heavy duty cylinders.



HERCULES PART NUMBERS

MPSQ - 16 X 5 X 4.2
 Type of Seal Bore Diameter Groove Diameter Groove Width

SEAL INFORMATION	
MATERIAL	40% BRONZE FILLED PTFE, NBR ENERGIZER, NBR QUAD® RING
TEMPERATURE RANGE	-40 - +220° F
PRESSURE RANGE	0 TO 5000 PSI
SPEED	6 FT/SEC

Part Number	A Nom. ID	B Nom. OD	C Nom. Ht	D GROOVE WIDTH	H GROOVE DIAMETER	J BORE DIAMETER	List Price
MPSQ-25X14X4.2	14	25	4	4.20 +0.20 +0.00	14.00 +0.000 -0.043	25.00 +0.052 +0.000	\$ 17.68
MPSQ-28X17X4.2	17	28	4	4.20 +0.20 +0.00	17.00 +0.000 -0.043	28.00 +0.052 +0.000	18.55
MPSQ-30X19X4.2	19	30	4	4.20 +0.20 +0.00	19.00 +0.000 -0.052	30.00 +0.052 +0.000	22.63
MPSQ-32X21X4.2	21	32	4	4.20 +0.20 +0.00	21.00 +0.000 -0.052	32.00 +0.062 +0.000	22.63
MPSQ-35X24X4.2	24	35	4	4.20 +0.20 +0.00	24.00 +0.000 -0.052	35.00 +0.062 +0.000	23.49
MPSQ-40X29X4.2	29	40	4	4.20 +0.20 +0.00	29.00 +0.000 -0.052	40.00 +0.062 +0.000	21.11
MPSQ-42X31X4.2	31	42	4	4.20 +0.20 +0.00	31.00 +0.000 -0.062	42.00 +0.062 +0.000	21.11
MPSQ-45X34X4.2	34	45	4	4.20 +0.20 +0.00	34.00 +0.000 -0.062	45.00 +0.062 +0.000	25.60
MPSQ-50X34.5X6.3	34.5	50	6.1	6.30 +0.20 +0.00	34.50 +0.000 -0.062	50.00 +0.062 +0.000	30.11
MPSQ-50X39X4.2	39	50	4	4.20 +0.20 +0.00	39.00 +0.000 -0.062	50.00 +0.062 +0.000	24.83
MPSQ-52X41X4.2	41	52	4	4.20 +0.20 +0.00	41.00 +0.000 -0.062	52.00 +0.074 +0.000	26.70
MPSQ-55X44X4.2	44	55	4	4.20 +0.20 +0.00	44.00 +0.000 -0.062	55.00 +0.074 +0.000	28.59
MPSQ-63X47.5X6.3	47.5	63	6.1	6.30 +0.20 +0.00	47.50 +0.000 -0.062	63.00 +0.074 +0.000	34.55
MPSQ-63X52X4.2	52	63	4	4.20 +0.20 +0.00	52.00 +0.000 -0.074	63.00 +0.074 +0.000	34.55
MPSQ-65X54X4.2	54	65	4	4.20 +0.20 +0.00	54.00 +0.000 -0.074	65.00 +0.074 +0.000	34.69

STYLE MPSQ PISTON SEALS

Part Number	A Nom. ID	B Nom. OD	C Nom. Ht	D GROOVE WIDTH	H GROOVE DIAMETER	J BORE DIAMETER	List Price
MPSQ-70X54.5X6.3	54.5	70	6.1	6.30 +0.20 +0.00	54.50 +0.000 -0.074	70.00 +0.074 +0.000	47.96
MPSQ-70X59X4.2	59	70	4	4.20 +0.20 +0.00	59.00 +0.000 -0.074	70.00 +0.074 +0.000	36.57
MPSQ-75X64X4.2	64	75	4	4.20 +0.20 +0.00	64.00 +0.000 -0.074	75.00 +0.074 +0.000	38.45
MPSQ-80X59X8.1	59	80	7.9	8.10 +0.20 +0.00	59.00 +0.000 -0.074	80.00 +0.074 +0.000	67.20
MPSQ-80X64.5X6.3	64.5	80	6.1	6.30 +0.20 +0.00	64.50 +0.000 -0.074	80.00 +0.074 +0.000	53.58
MPSQ-85X69.5X6.3	69.5	85	6.1	6.30 +0.20 +0.00	69.50 +0.000 -0.074	85.00 +0.087 +0.000	60.90
MPSQ-90X74.5X6.3	74.5	90	6.1	6.30 +0.20 +0.00	74.50 +0.000 -0.074	90.00 +0.087 +0.000	64.97
MPSQ-95X79.5X6.3	79.5	95	6.1	6.30 +0.20 +0.00	79.50 +0.000 -0.074	95.00 +0.087 +0.000	73.15
MPSQ-100X84.5X6.3	84.5	100	6.1	6.30 +0.20 +0.00	84.50 +0.000 -0.087	100.00 +0.087 +0.000	76.89
MPSQ-105X89.5X6.3	89.5	105	6.1	6.30 +0.20 +0.00	89.50 +0.000 -0.087	105.00 +0.087 +0.000	77.57
MPSQ-110X94.5X6.3	94.5	110	6.1	6.30 +0.20 +0.00	94.50 +0.000 -0.087	110.00 +0.087 +0.000	85.06
MPSQ-115X99.5X6.3	99.5	115	6.1	6.30 +0.20 +0.00	99.50 +0.000 -0.087	115.00 +0.087 +0.000	102.41
MPSQ-120X104.5X6.3	104.5	120	6.1	6.30 +0.20 +0.00	104.50 +0.000 -0.087	120.00 +0.087 +0.000	93.56
MPSQ-125X109.5X6.3	109.5	125	6.1	6.30 +0.20 +0.00	109.50 +0.000 -0.087	125.00 +0.10 +0.00	105.13