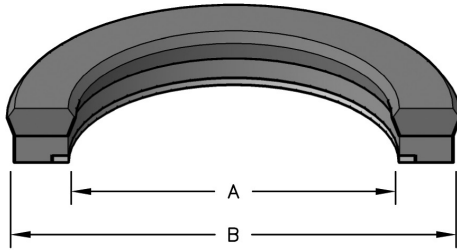


# STYLE UFN-EI-SAG ROD SEALS W / BACK-UP RINGS

This is a single acting rod seal designed for low and high pressure sealing and is commonly found in telescopic cylinders. The seal consists of a molded rubber sealing lip, rubberized fabric heel, and an acetal back-up ring for improved extrusion resistance.

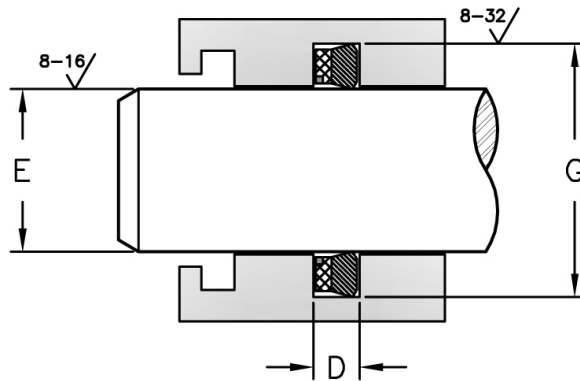


### HERCULES PART NUMBERS

**UFN 21 - 2.00 - 41EI-SAG-F**

Type of Seal: UFN 21  
 Cross Section: 2.00  
 Inside Diameter: 41EI-SAG  
 Height: F

SEAL INFORMATION	
MATERIAL	RUBBER, FABRIC, ACETAL
TEMPERATURE RANGE	-22° TO +212° F
PRESSURE RANGE	1.64 FPS @ 3600 PSI 0.49 FPS @ 5800 PSI
SPEED	1.5 FT/SEC



Part Number	A Nom. ID	B Nom. OD	C Nom. Ht	D GROOVE WIDTH	E ROD DIAMETER	G HOUSING DIAMETER	List Price
UFN21-2.00-41EI-SAG-F	2	2-7/16	.406	.421 <sup>+010</sup> / <sub>+000</sub>	2.000 <sup>-0012</sup> / <sub>-0030</sub>	2.437 ±.0037	\$41.00
UFN21-2.75-41EI-SAG-F	2-3/4	3-3/16	.406	.421 <sup>+010</sup> / <sub>+000</sub>	2.750 <sup>-0012</sup> / <sub>-0030</sub>	3.187 ±.0043	65.90
UFN25-3.50-46EI-SAG-F	3-1/2	4	.468	.483 <sup>+010</sup> / <sub>+000</sub>	3.500 <sup>-0014</sup> / <sub>-0035</sub>	4.000 ±.0043	90.47
UFN25-4.37-46EI-SAG-F	4-3/8	4-7/8	.468	.483 <sup>+010</sup> / <sub>+000</sub>	4.375 <sup>-0014</sup> / <sub>-0035</sub>	4.875 ±.0049	98.12
UFN31-5.25-46EI-SAG-F	5-1/4	5-7/8	.468	.483 <sup>+010</sup> / <sub>+000</sub>	5.250 <sup>-0017</sup> / <sub>-0042</sub>	5.875 ±.0049	140.95