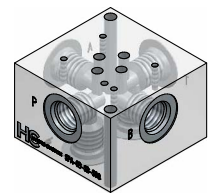
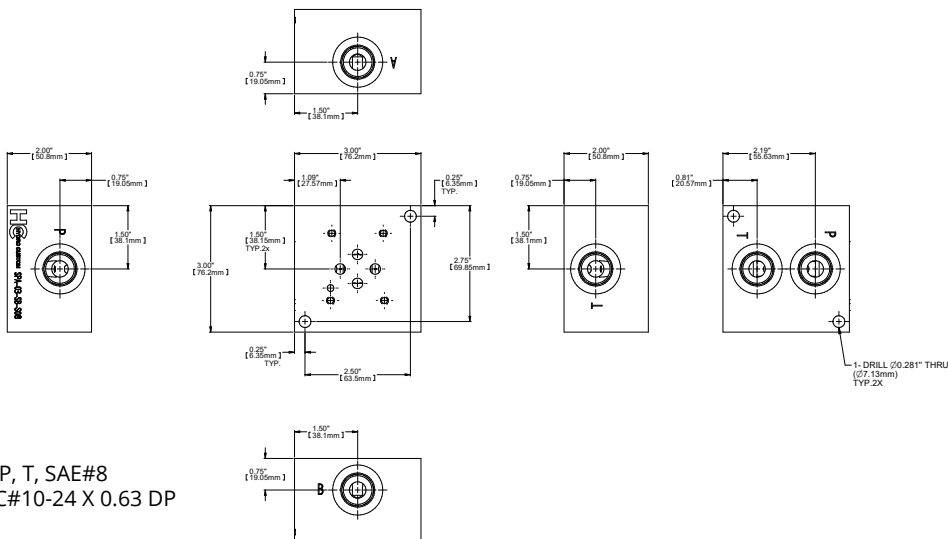


NOTES:

PORT SIZE: A, B, P, T, SAE#8
VALVE MTG: UNC#10-24 X 0.63 DP

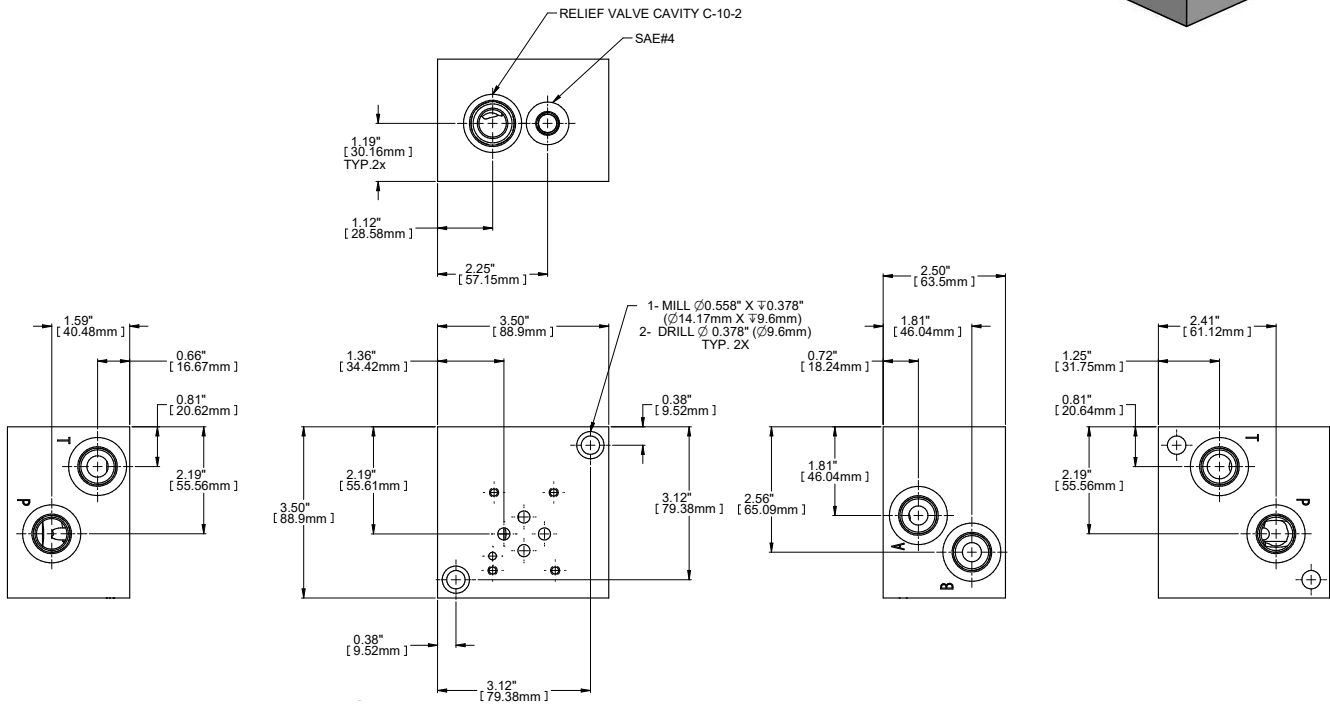
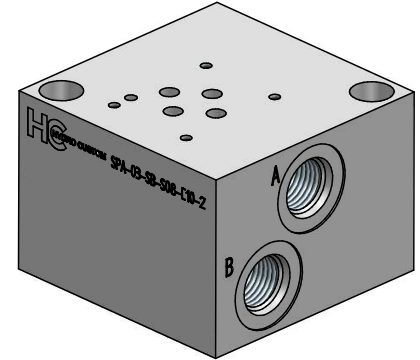
MATERIAL: ALUMINIUM 6061-T6
YIELD RESISTANCE: 40000 PSI
ULTIMATE RESISTANCE: 45000 PSI



NOTES:

PORT SIZE: A, B, P, T, SAE#8
VALVE MTG: UNC#10-24 X 0.63 DP

MATERIAL: ALUMINIUM 6061-T6
YIELD RESISTANCE: 40000 PSI
ULTIMATE RESISTANCE: 45000 PSI



NOTES:
PORT SIZE: A, B, P, T, SAE#8
VALVE MTG: UNC#10-24 X 0.63 DP

MATERIAL: ALUMINIUM 6061-T6
YIELD RESISTANCE: 40000 PSI
ULTIMATE RESISTANCE: 45000 PSI