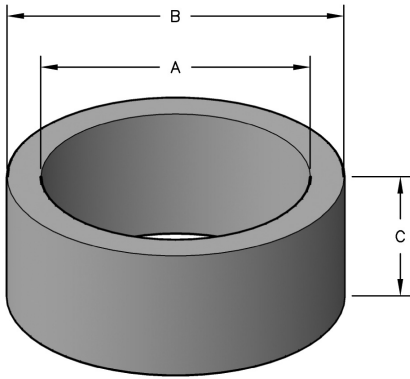
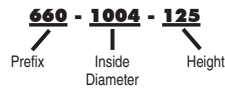


STYLE 660 BRONZE ROD BEARINGS



HERCULES PART NUMBERS



SEAL INFORMATION

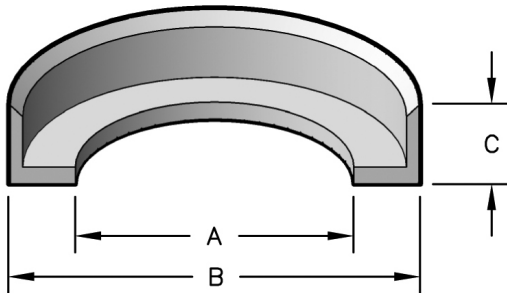
TENSILE STRENGTH	35,000 PSI
YIELD STRENGTH	18,000 PSI

WEAR RINGS

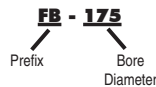
Part Number	A Nom. ID	B Nom. OD	C Nom. Ht	Nom. Cross Section	List Price
660-1004-125	1	1-1/4	1-1/4	1/8	\$62.63
660-1008-125	1	1-1/2	1-1/4	1/4	61.28
660-1754-100	1-3/4	2-1/4	1	1/4	119.97
660-4001-200-SC	4	4.2	2	.1	197.81

STYLE FB FOLLOWER BEARINGS

These parts are used as companion pieces for Cascade vee sets, primarily as bearings.



HERCULES PART NUMBERS



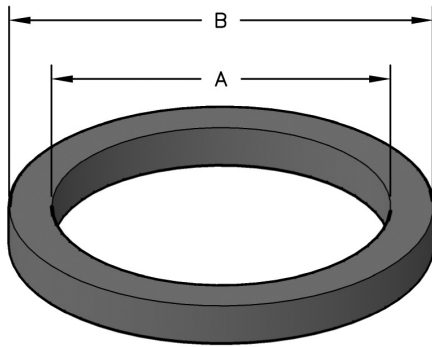
SEAL INFORMATION

MATERIAL	60D POLYESTER
TEMPERATURE RANGE	-65° TO +220° F
SPEED	3 FT/SEC

Part Number	A Nom. ID	B Nom. OD	J BORE DIAMETER	C HEIGHT	List Price
FB-175	1-1/4	1-3/4	1.750	.290	\$4.68
FB-200	1-1/2	2	2.000	.370	8.76
FB-225	1-3/4	2-1/4	2.250	.350	5.82
FB-250	2	2-1/2	2.500	.370	6.00
FB-300	2-1/2	3	3.000	.430	7.39
FB-325	2-3/4	3-1/4	3.250	.430	7.88
FB-350	3	3-1/2	3.500	.437	8.30
FB-400	3-1/4	4	4.000	.615	10.19
FB-425	3-1/2	4-1/4	4.250	.625	16.37
FB-475	4	4-3/4	4.750	.625	22.39
FB-650	6	6-1/2	6.500	.440	22.50

STYLE MB MODULAR BACK-UPS

These back-up rings, made from urethane or nylon, are commonly used as spacers for u-seals.



HERCULES PART NUMBERS

MB12 - 0.75 - 12 - S
 Prefix Inside Diameter Height

SEAL INFORMATION	
MATERIAL	URETHANE, 70 SHORE D
TEMPERATURE RANGE	-40° TO +250° F
SPEED	3 FT/SEC

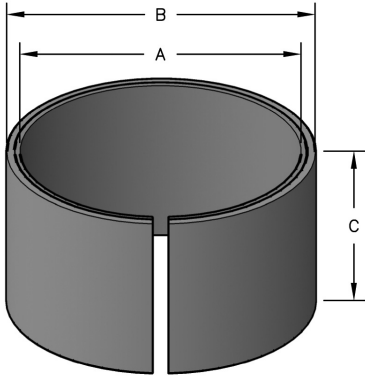
N = Nylon
 S = Split
 P = Hard Hytrel

Part Number	A Nom. ID	B Nom. OD	C Nom. Ht	List Price
MB12-0.75-12-S	3/4	1	1/8	\$40.94
MB25-1.25-25	1-1/4	1-3/4	1/4	10.66
MB25-1.37-25	1-3/8	1-7/8	1/4	11.66
MB25-1.50-25	1-1/2	2	1/4	10.43
MB25-1.75-25	1-3/4	2-1/4	1/4	12.83
MB31-1.75-31	1-3/4	2-3/8	5/16	11.98
MB37-1.75-50	1-3/4	2-1/2	1/2	22.65
MB37-1.75-50N	1-3/4	2-1/2	1/2	9.64
MB37-1.75-56	1-3/4	2-1/2	9/16	22.65
MB31-1.87-31	1-7/8	2-1/2	5/16	14.31
MB18-2.00-18	2	2-3/8	3/16	10.66
MB25-2.00-25	2	2-1/2	1/4	13.90
MB31-2.00-31	2	2-5/8	5/16	13.39
MB37-2.00-25P	2	2-3/4	1/4	24.64
MB37-2.00-37	2	2-3/4	3/8	23.44
MB31-2.12-31	2-1/8	2-3/4	5/16	14.08
MB31-2.12-37	2-1/8	2-3/4	3/8	18.48
MB25-2.25-25	2-1/4	2-3/4	1/4	15.49
MB31-2.25-31	2-1/4	2-7/8	5/16	14.73
MB31-2.37-31	2-3/8	3	5/16	19.13
MB25-2.50-25	2-1/2	3	1/4	16.97
MB31-2.50-31	2-1/2	3-1/8	5/16	21.11
MB37-2.50-25P	2-1/2	3-1/4	1/4	36.18
MB37-2.62-50	2-5/8	3-3/8	1/2	32.71
MB37-2.62-50N	2-5/8	3-3/8	1/2	19.17
MB37-2.62-57	2-5/8	3-3/8	.575	32.71
MB37-2.75-25	2-3/4	3-1/2	1/4	24.11
MB25-3.00-25	3	3-1/2	1/4	17.20
MB37-3.00-37	3	3-3/4	3/8	28.11
MB50-3.00-50	3	4	1/2	50.59
MB37-3.12-37	3-1/8	3-7/8	3/8	32.71
MB25-3.25-25	3-1/4	3-3/4	1/4	18.18
MB25-3.50-25	3-1/2	4	1/4	18.18
MB37-3.50-25	3-1/2	4-1/4	1/4	34.73
MB37-3.50-37	3-1/2	4-1/4	3/8	40.27
MB37-3.50-44P	3-1/2	4-1/4	7/16	75.24
MB37-3.62-50N	3-5/8	4-3/8	1/2	19.89
MB37-3.62-56	3-5/8	4-3/8	9/16	43.42
MB43-3.87-25	3-7/8	4-3/4	1/4	18.41

Part Number	A Nom. ID	B Nom. OD	C Nom. Ht	List Price
MB25-4.00-25	4	4-1/2	1/4	24.23
MB25-4.00-43	4	4-1/2	7/16	24.80
MB37-4.00-37	4	4-3/4	3/8	47.94
MB37-4.25-37	4-1/4	5	3/8	48.96
MB25-4.50-25	4-1/2	5	1/4	27.86
MB31-4.50-31	4-1/2	5-1/8	5/16	32.22
MB37-4.50-28N	4-1/2	5-1/4	.285	22.74
MB37-4.50-50	4-1/2	5-1/4	1/2	52.16
MB37-4.50-50N	4-1/2	5-1/4	1/2	35.71
MB43-4.50-62	4-1/2	5-3/8	5/8	48.67
MB37-4.75-37	4-3/4	5-1/2	3/8	56.06
MB37-4.75-37N	4-3/4	5-1/2	3/8	48.47
MB43-4.75-31	4-3/4	5-5/8	5/16	38.38
MB25-5.00-25	5	5-1/2	1/4	28.21
MB37-5.00-37	5	5-3/4	3/8	58.67
MB37-5.25-12	5-1/4	6	1/8	56.75
MB37-5.50-37	5-1/2	6-1/4	3/8	62.59
MB37-5.50-43NS	5-1/2	6-1/4	7/16	30.52
MB25-6.00-25	6	6-1/2	1/4	39.80
MB37-6.00-43NS	6	6-3/4	7/16	38.00
MB37-6.00-56	6	6-3/4	9/16	66.81
MB25-6.50-25	6-1/2	7	1/4	8.43
MB37-7.00-37	7	7-3/4	3/8	71.94

STYLE DU ROD BUSHINGS

With a steel body, bronze liner, and PTFE / lead overlay, these bushings possess excellent wearability and tremendous compressive strength.



HERCULES PART NUMBERS



SEAL INFORMATION

MATERIAL	BRONZE LINING PTFE/LEAD OVERLAY STEEL BACKING
TEMPERATURE RANGE	-325° TO +536° F
SPEED	12 FT/SEC
COMPRESSIVE STRENGTH	44,000 PSI

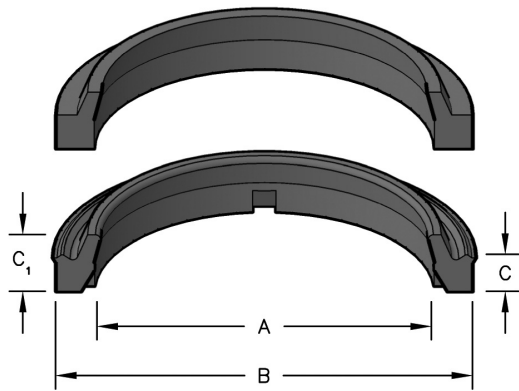
WEAR RINGS

Part Number	A Nom. ID	B Nom. OD	C Nom. Ht	Nom. Cross Section	List Price
DU-8-6	1/2	19/32	3/8	3/64	\$1.67
DU-8-8	1/2	19/32	1/2	3/64	1.67
DU-8-10	1/2	19/32	5/8	3/64	1.67
DU-9-12	9/16	21/32	3/4	3/64	1.67
DU-10-10	5/8	23/32	5/8	3/64	2.67
DU-10-14	5/8	23/32	7/8	3/64	7.22
DU-11-14	11/16	25/32	7/8	3/64	7.22
DU-12-12	3/4	7/8	3/4	1/16	1.94
DU-12-16	3/4	7/8	1	1/16	2.07
DU-16-12	1	1-1/8	3/4	1/16	2.27
DU-16-16	1	1-1/8	1	1/16	2.54
DU-16-24	1	1-1/8	1-1/2	1/16	3.66
DU-18-16A	1-1/8	1-9/32	1	5/64	4.44
DU-20-12A	1-1/4	1-13/32	3/4	5/64	2.21
DU-20-18	1-1/4	1-13/32	1-1/8	5/64	5.38
DU-20-28	1-1/4	1-13/32	1-3/4	5/64	4.82
DU-22-16	1-3/8	1-17/32	1	5/64	3.11
DU-22-28A	1-3/8	1-17/32	1-3/4	5/64	5.24
DU-24-12	1-1/2	1-21/32	3/4	5/64	2.54
DU-24-16	1-1/2	1-21/32	1	5/64	3.50
DU-24-20	1-1/2	1-21/32	1-1/4	5/64	4.17
DU-26-24	1-5/8	1-25/32	1-1/2	5/64	5.26
DU-28-16	1-3/4	1-15/16	1	3/32	4.18
DU-28-28	1-3/4	1-15/16	1-3/4	3/32	6.93
DU-30-16	1-7/8	2-1/16	1	3/32	9.17
DU-32-12	2	2-3/16	3/4	3/32	3.58
DU-32-20	2	2-3/16	1-1/4	3/32	5.85
DU-32-32	2	2-3/16	2	3/32	9.08
DU-36-24	2-1/4	2-7/16	1-1/2	3/32	7.71
DU-36-32	2-1/4	2-7/16	2	3/32	10.15
DU-36-40	2-1/4	2-7/16	2-1/2	3/32	12.57
DU-40-32	2-1/2	2-11/16	2	3/32	11.24
DU-40-40	2-1/2	2-11/16	2-1/2	3/32	13.87
DU-40-56	2-1/2	2-11/16	3-1/2	3/32	19.13
DU-44-40	2-3/4	2-15/16	2-1/2	3/32	15.15
DU-44-56	2-3/4	2-15/16	3-1/2	3/32	20.91
DU-48-16	3	3-3/16	1	3/32	6.77
DU-48-48	3	3-3/16	3	3/32	19.67
DU-48-60	3	3-3/16	3-3/4	3/32	24.82
DU-56-60	3-1/2	3-11/16	3-3/4	3/32	29.36

Part Number	A Nom. ID	B Nom. OD	C Nom. Ht	Nom. Cross Section	List Price
DU-64-80	4	4-3/16	5	3/32	45.62
DU-80-60	5	5-3/16	3-3/4	3/32	41.97

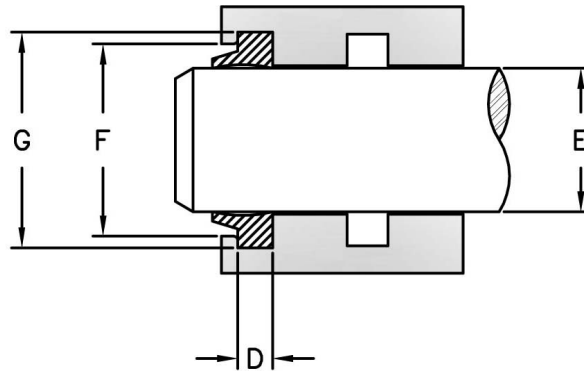
STYLE ST URETHANE WIPER RINGS

Style ST wiper rings are precision molded from 90A durometer urethane. Flexible enough to easily snap into a groove yet tough enough to handle difficult rod wiping applications. "V" tagged wipers are constructed of fluorocarbon.



HERCULES PART NUMBERS

ST - 25
Prefix Size



SEAL INFORMATION	
MATERIAL	URETHANE / FLUOROCARBON
TEMPERATURE RANGE	URETHANE: -40° TO +200° F FLUOROCARBON: -20° TO +400° F
SPEED	3 FT/SEC

Part Number	A Nom. ID	B Nom. OD	C Nom. Ht	C ₁ OVERALL HEIGHT	D GROOVE WIDTH	E ROD DIAMETER	F THROAT DIAMETER	G HOUSING DIAMETER	List Price
ST-25	1/4	1/2	1/8	.210	.124 ^{+0.004} / _{-0.000}	.250 ^{-0.0005} / _{-0.0019}	.410 ^{+0.010} / _{+0.000}	.497 ^{+0.006} / _{+0.000}	\$2.90
ST-31	5/16	9/16	1/8	.210	.124 ^{+0.004} / _{+0.000}	.313 ^{-0.0005} / _{-0.0019}	.475 ^{+0.010} / _{+0.000}	.560 ^{+0.006} / _{+0.000}	2.90
ST-37	3/8	5/8	1/8	.210	.124 ^{+0.004} / _{+0.000}	.375 ^{-0.0005} / _{-0.0019}	.535 ^{+0.010} / _{+0.000}	.622 ^{+0.006} / _{+0.000}	2.90
ST-43	7/16	11/16	1/8	.210	.124 ^{+0.004} / _{+0.000}	.438 ^{-0.0006} / _{-0.0023}	.600 ^{+0.010} / _{+0.000}	.685 ^{+0.006} / _{+0.000}	2.86
ST-50	1/2	3/4	1/8	.210	.124 ^{+0.004} / _{+0.000}	.500 ^{-0.0006} / _{-0.0023}	.660 ^{+0.010} / _{+0.000}	.747 ^{+0.006} / _{+0.000}	3.28
ST-56	9/16	13/16	1/8	.210	.124 ^{+0.004} / _{+0.000}	.563 ^{-0.0006} / _{-0.0023}	.725 ^{+0.010} / _{+0.000}	.810 ^{+0.006} / _{+0.000}	3.28
ST-62	5/8	7/8	1/8	.210	.124 ^{+0.004} / _{+0.000}	.625 ^{-0.0006} / _{-0.0023}	.785 ^{+0.010} / _{+0.000}	.872 ^{+0.006} / _{+0.000}	3.28
ST-62V	5/8	7/8	1/8	.210	.124 ^{+0.004} / _{+0.000}	.625 ^{-0.0006} / _{-0.0023}	.785 ^{+0.010} / _{+0.000}	.872 ^{+0.006} / _{+0.000}	11.77
ST-75	3/4	1-1/8	3/16	.305	.187 ^{+0.004} / _{+0.000}	.750 ^{-0.0008} / _{-0.0028}	.995 ^{+0.010} / _{+0.000}	1.122 ^{+0.006} / _{+0.000}	3.28
ST-81	13/16	1-3/16	3/16	.305	.187 ^{+0.004} / _{+0.000}	.813 ^{-0.0008} / _{-0.0028}	1.060 ^{+0.010} / _{+0.000}	1.185 ^{+0.006} / _{+0.000}	3.28
ST-87	7/8	1-1/4	3/16	.305	.187 ^{+0.004} / _{+0.000}	.875 ^{-0.0008} / _{-0.0028}	1.120 ^{+0.010} / _{+0.000}	1.247 ^{+0.006} / _{+0.000}	3.28
ST-93	15/16	1-5/16	3/16	.305	.187 ^{+0.004} / _{+0.000}	.938 ^{-0.0008} / _{-0.0028}	1.185 ^{+0.010} / _{+0.000}	1.310 ^{+0.006} / _{+0.000}	2.98
ST-100	1	1-3/8	3/16	.305	.187 ^{+0.004} / _{+0.000}	1.000 ^{-0.0008} / _{-0.0028}	1.245 ^{+0.010} / _{+0.000}	1.372 ^{+0.006} / _{+0.000}	3.28
ST-100V	1	1-3/8	3/16	.305	.187 ^{+0.004} / _{+0.000}	1.000 ^{-0.0008} / _{-0.0028}	1.245 ^{+0.010} / _{+0.000}	1.372 ^{+0.006} / _{+0.000}	13.73

STYLE ST URETHANE WIPER RINGS

WIPER RINGS

Part Number	A Nom. ID	B Nom. OD	C Nom. Ht	C ₁ OVERALL HEIGHT	D GROOVE WIDTH	E ROD DIAMETER	F THROAT DIAMETER	G HOUSING DIAMETER	List Price
ST-110	1.075	1.507	3/16	.305	.187 ^{+0.004} / _{+0.000}	1.075 ^{-0.0008} / _{-0.0028}	1.305 ^{+0.010} / _{+0.000}	1.504 ^{+0.006} / _{+0.000}	3.28
ST-112	1-1/8	1-1/2	3/16	.305	.187 ^{+0.004} / _{+0.000}	1.125 ^{-0.0008} / _{-0.0028}	1.370 ^{+0.010} / _{+0.000}	1.497 ^{+0.006} / _{+0.000}	3.28
ST-112V	1-1/8	1-1/2	3/16	.305	.187 ^{+0.004} / _{+0.000}	1.125 ^{-0.0008} / _{-0.0028}	1.370 ^{+0.010} / _{+0.000}	1.497 ^{+0.006} / _{+0.000}	15.73
ST-118	1-3/16	1-9/16	3/16	.305	.187 ^{+0.004} / _{+0.000}	1.188 ^{-0.0010} / _{-0.0034}	1.435 ^{+0.010} / _{+0.000}	1.560 ^{+0.006} / _{+0.000}	3.33
ST-125	1-1/4	1-5/8	3/16	.305	.187 ^{+0.004} / _{+0.000}	1.250 ^{-0.0010} / _{-0.0034}	1.495 ^{+0.010} / _{+0.000}	1.622 ^{+0.006} / _{+0.000}	3.58
ST-125V	1-1/4	1-5/8	3/16	.305	.187 ^{+0.004} / _{+0.000}	1.250 ^{-0.0010} / _{-0.0034}	1.495 ^{+0.010} / _{+0.000}	1.622 ^{+0.006} / _{+0.000}	18.04
ST-131	1-5/16	1-11/16	3/16	.305	.187 ^{+0.004} / _{+0.000}	1.313 ^{-0.0010} / _{-0.0034}	1.560 ^{+0.010} / _{+0.000}	1.685 ^{+0.006} / _{+0.000}	3.72
ST-137	1-3/8	1-3/4	3/16	.305	.187 ^{+0.004} / _{+0.000}	1.375 ^{-0.0010} / _{-0.0034}	1.620 ^{+0.010} / _{+0.000}	1.747 ^{+0.006} / _{+0.000}	3.81
ST-137V	1-3/8	1-3/4	3/16	.305	.187 ^{+0.004} / _{+0.000}	1.375 ^{-0.0010} / _{-0.0034}	1.620 ^{+0.010} / _{+0.000}	1.747 ^{+0.006} / _{+0.000}	16.93
ST-143	1-7/16	1-13/16	3/16	.305	.187 ^{+0.004} / _{+0.000}	1.438 ^{-0.0010} / _{-0.0034}	1.685 ^{+0.010} / _{+0.000}	1.810 ^{+0.006} / _{+0.000}	13.29
ST-150	1-1/2	1-7/8	3/16	.305	.187 ^{+0.004} / _{+0.000}	1.500 ^{-0.0010} / _{-0.0034}	1.745 ^{+0.010} / _{+0.000}	1.872 ^{+0.006} / _{+0.000}	4.19
ST-150V	1-1/2	1-7/8	3/16	.305	.187 ^{+0.004} / _{+0.000}	1.500 ^{-0.0010} / _{-0.0034}	1.745 ^{+0.010} / _{+0.000}	1.872 ^{+0.006} / _{+0.000}	18.98
ST-156	1-9/16	1-15/16	3/16	.305	.187 ^{+0.004} / _{+0.000}	1.563 ^{-0.0010} / _{-0.0034}	1.810 ^{+0.010} / _{+0.000}	1.935 ^{+0.006} / _{+0.000}	4.20
ST-162	1-5/8	2	3/16	.305	.187 ^{+0.004} / _{+0.000}	1.625 ^{-0.0010} / _{-0.0034}	1.870 ^{+0.010} / _{+0.000}	1.997 ^{+0.006} / _{+0.000}	4.32
ST-175	1-3/4	2-1/8	3/16	.305	.187 ^{+0.004} / _{+0.000}	1.750 ^{-0.0010} / _{-0.0034}	1.995 ^{+0.010} / _{+0.000}	2.122 ^{+0.006} / _{+0.000}	4.69
ST-175V	1-3/4	2-1/8	3/16	.305	.187 ^{+0.004} / _{+0.000}	1.750 ^{-0.0010} / _{-0.0034}	1.995 ^{+0.010} / _{+0.000}	2.122 ^{+0.006} / _{+0.000}	19.13
ST-187	1-7/8	2-1/4	3/16	.305	.187 ^{+0.004} / _{+0.000}	1.875 ^{-0.0010} / _{-0.0034}	2.120 ^{+0.010} / _{+0.000}	2.247 ^{+0.006} / _{+0.000}	4.86
ST-193	1-15/16	2-5/16	3/16	.305	.187 ^{+0.004} / _{+0.000}	1.938 ^{-0.0010} / _{-0.0034}	2.185 ^{+0.010} / _{+0.000}	2.310 ^{+0.006} / _{+0.000}	5.05
ST-200	2	2-1/2	1/4	.395	.249 ^{+0.004} / _{+0.000}	2.000 ^{-0.0012} / _{-0.0041}	2.327 ^{+0.010} / _{+0.000}	2.497 ^{+0.006} / _{+0.000}	4.92
ST-200V	2	2-1/2	1/4	.395	.249 ^{+0.004} / _{+0.000}	2.000 ^{-0.0012} / _{-0.0041}	2.327 ^{+0.010} / _{+0.000}	2.497 ^{+0.006} / _{+0.000}	23.84
ST-212A	2-1/8	2-1/2	3/16	.305	.187 ^{+0.004} / _{+0.000}	2.125 ^{-0.0012} / _{-0.0041}	2.452 ^{+0.010} / _{+0.000}	2.312 ±.005	13.90
ST-212	2-1/8	2-5/8	1/4	.395	.249 ^{+0.004} / _{+0.000}	2.125 ^{-0.0012} / _{-0.0041}	2.452 ^{+0.010} / _{+0.000}	2.622 ^{+0.006} / _{+0.000}	5.09
ST-225	2-1/4	2-3/4	1/4	.395	.249 ^{+0.004} / _{+0.000}	2.250 ^{-0.0012} / _{-0.0041}	2.577 ^{+0.010} / _{+0.000}	2.747 ^{+0.006} / _{+0.000}	5.20
ST-237	2-3/8	2-7/8	1/4	.395	.249 ^{+0.004} / _{+0.000}	2.375 ^{-0.0012} / _{-0.0041}	2.702 ^{+0.010} / _{+0.000}	2.872 ^{+0.006} / _{+0.000}	5.45
ST-250	2-1/2	3	1/4	.395	.249 ^{+0.004} / _{+0.000}	2.500 ^{-0.0012} / _{-0.0041}	2.827 ^{+0.010} / _{+0.000}	2.997 ^{+0.006} / _{+0.000}	5.81
ST-250V	2-1/2	3	1/4	.395	.249 ^{+0.004} / _{+0.000}	2.500 ^{-0.0012} / _{-0.0041}	2.827 ^{+0.010} / _{+0.000}	2.997 ^{+0.006} / _{+0.000}	37.05
ST-262	2-5/8	3-1/8	1/4	.395	.249 ^{+0.004} / _{+0.000}	2.625 ^{-0.0012} / _{-0.0041}	2.952 ^{+0.010} / _{+0.000}	3.122 ^{+0.006} / _{+0.000}	5.81
ST-275	2-3/4	3-1/4	1/4	.395	.249 ^{+0.004} / _{+0.000}	2.750 ^{-0.0012} / _{-0.0041}	3.077 ^{+0.010} / _{+0.000}	3.247 ^{+0.006} / _{+0.000}	5.99
ST-287	2-7/8	3-3/8	1/4	.395	.249 ^{+0.004} / _{+0.000}	2.875 ^{-0.0012} / _{-0.0041}	3.202 ^{+0.010} / _{+0.000}	3.372 ^{+0.006} / _{+0.000}	6.23
ST-300	3	3-1/2	1/4	.395	.249 ^{+0.004} / _{+0.000}	3.000 ^{-0.0012} / _{-0.0041}	3.327 ^{+0.010} / _{+0.000}	3.497 ^{+0.006} / _{+0.000}	6.23
ST-300V	3	3-1/2	1/4	.395	.249 ^{+0.004} / _{+0.000}	3.000 ^{-0.0012} / _{-0.0041}	3.327 ^{+0.010} / _{+0.000}	3.497 ^{+0.006} / _{+0.000}	42.68
ST-312	3-1/8	3-5/8	1/4	.395	.249 ^{+0.004} / _{+0.000}	3.125 ^{-0.0012} / _{-0.0041}	3.452 ^{+0.010} / _{+0.000}	3.622 ^{+0.006} / _{+0.000}	6.92
ST-325	3-1/4	3-3/4	1/4	.395	.249 ^{+0.004} / _{+0.000}	3.250 ^{-0.0014} / _{-0.0048}	3.577 ^{+0.010} / _{+0.000}	3.747 ^{+0.006} / _{+0.000}	6.92

STYLE ST URETHANE WIPER RINGS

WIPER RINGS

Part Number	A Nom. ID	B Nom. OD	C Nom. Ht	C ₁ OVERALL HEIGHT	D GROOVE WIDTH	E ROD DIAMETER	F THROAT DIAMETER	G HOUSING DIAMETER	List Price
ST-325V	3-1/4	3-3/4	1/4	.395	.249 ^{+0.004} / _{+0.000}	3.250 ^{-0.0014} / _{-0.0048}	3.577 ^{+0.010} / _{+0.000}	3.747 ^{+0.006} / _{+0.000}	39.53
ST-337	3-3/8	3-7/8	1/4	.395	.249 ^{+0.004} / _{+0.000}	3.375 ^{-0.0014} / _{-0.0048}	3.702 ^{+0.010} / _{+0.000}	3.872 ^{+0.006} / _{+0.000}	7.12
ST-350	3-1/2	4	1/4	.395	.249 ^{+0.004} / _{+0.000}	3.500 ^{-0.0014} / _{-0.0048}	3.827 ^{+0.010} / _{+0.000}	3.997 ^{+0.006} / _{+0.000}	7.12
ST-350V	3-1/2	4	1/4	.395	.249 ^{+0.004} / _{+0.000}	3.500 ^{-0.0014} / _{-0.0048}	3.827 ^{+0.010} / _{+0.000}	3.997 ^{+0.006} / _{+0.000}	48.97
ST-362	3-5/8	4-1/8	1/4	.395	.249 ^{+0.004} / _{+0.000}	3.625 ^{-0.0014} / _{-0.0048}	3.952 ^{+0.010} / _{+0.000}	4.122 ^{+0.006} / _{+0.000}	8.26
ST-375	3-3/4	4-1/4	1/4	.395	.249 ^{+0.004} / _{+0.000}	3.750 ^{-0.0014} / _{-0.0048}	4.077 ^{+0.010} / _{+0.000}	4.247 ^{+0.006} / _{+0.000}	8.26
ST-387	3-7/8	4-3/8	1/4	.395	.249 ^{+0.004} / _{+0.000}	3.875 ^{-0.0014} / _{-0.0048}	4.202 ^{+0.010} / _{+0.000}	4.372 ^{+0.006} / _{+0.000}	9.27
ST-400	4	4-1/2	1/4	.395	.249 ^{+0.004} / _{+0.000}	4.000 ^{-0.0014} / _{-0.0048}	4.327 ^{+0.010} / _{+0.000}	4.497 ^{+0.006} / _{+0.000}	9.27
ST-412	4-1/8	4-5/8	1/4	.395	.249 ^{+0.004} / _{+0.000}	4.125 ^{-0.0014} / _{-0.0048}	4.452 ^{+0.010} / _{+0.000}	4.622 ^{+0.006} / _{+0.000}	9.44
ST-425	4-1/4	4-3/4	1/4	.395	.249 ^{+0.004} / _{+0.000}	4.250 ^{-0.0014} / _{-0.0048}	4.577 ^{+0.010} / _{+0.000}	4.747 ^{+0.006} / _{+0.000}	9.59
ST-437	4-3/8	4-7/8	1/4	.395	.249 ^{+0.004} / _{+0.000}	4.375 ^{-0.0014} / _{-0.0048}	4.702 ^{+0.010} / _{+0.000}	4.872 ^{+0.006} / _{+0.000}	10.28
ST-451	4-1/2	5	1/4	.395	.249 ^{+0.004} / _{+0.000}	4.500 ^{-0.0014} / _{-0.0048}	4.827 ^{+0.010} / _{+0.000}	4.997 ^{+0.006} / _{+0.000}	10.28
ST-450	4-1/2	5-1/4	3/8	.585	.374 ^{+0.004} / _{+0.000}	4.500 ^{-0.0014} / _{-0.0048}	4.993 ^{+0.010} / _{+0.000}	5.247 ^{+0.006} / _{+0.000}	10.38
ST-475	4-3/4	5-1/2	3/8	.585	.374 ^{+0.004} / _{+0.000}	4.750 ^{-0.0017} / _{-0.0056}	5.243 ^{+0.010} / _{+0.000}	5.497 ^{+0.006} / _{+0.000}	10.99
ST-487	4-7/8	5-5/8	3/8	.585	.374 ^{+0.004} / _{+0.000}	4.875 ^{-0.0017} / _{-0.0056}	5.368 ^{+0.010} / _{+0.000}	5.622 ^{+0.006} / _{+0.000}	13.09
ST-501	5	5-1/2	1/4	.395	.249 ^{+0.004} / _{+0.000}	5.000 ^{-0.0017} / _{-0.0056}	5.327 ^{+0.010} / _{+0.000}	5.497 ^{+0.006} / _{+0.000}	14.08
ST-500	5	5-3/4	3/8	.585	.374 ^{+0.004} / _{+0.000}	5.000 ^{-0.0017} / _{-0.0056}	5.493 ^{+0.010} / _{+0.000}	5.747 ^{+0.006} / _{+0.000}	14.51
ST-525	5-1/4	6	3/8	.585	.374 ^{+0.004} / _{+0.000}	5.250 ^{-0.0017} / _{-0.0056}	5.743 ^{+0.010} / _{+0.000}	5.997 ^{+0.006} / _{+0.000}	17.91
ST-550	5-1/2	6-1/4	3/8	.585	.374 ^{+0.004} / _{+0.000}	5.500 ^{-0.0017} / _{-0.0056}	5.993 ^{+0.010} / _{+0.000}	6.247 ^{+0.006} / _{+0.000}	18.02
ST-575	5-3/4	6-1/2	3/8	.585	.374 ^{+0.004} / _{+0.000}	5.750 ^{-0.0017} / _{-0.0056}	6.243 ^{+0.010} / _{+0.000}	6.497 ^{+0.006} / _{+0.000}	20.28
ST-600	6	6-3/4	3/8	.585	.374 ^{+0.004} / _{+0.000}	6.000 ^{-0.0017} / _{-0.0056}	6.493 ^{+0.010} / _{+0.000}	6.747 ^{+0.006} / _{+0.000}	21.33
ST-625	6-1/4	7	3/8	.585	.374 ^{+0.004} / _{+0.000}	6.250 ^{-0.0017} / _{-0.0056}	6.743 ^{+0.010} / _{+0.000}	6.997 ^{+0.006} / _{+0.000}	21.92
ST-650	6-1/2	7-1/4	3/8	.585	.374 ^{+0.004} / _{+0.000}	6.500 ^{-0.0017} / _{-0.0056}	6.993 ^{+0.010} / _{+0.000}	7.247 ^{+0.006} / _{+0.000}	22.50
ST-650-A	6-1/2	7-1/2	3/8	.585	.374 ^{+0.004} / _{+0.000}	6.500 ^{-0.0017} / _{-0.0056}	7.159 ^{+0.010} / _{+0.000}	7.497 ^{+0.006} / _{+0.000}	79.78
ST-660	6-1/2	7-1/2	1/2	.775	.499 ^{+0.004} / _{+0.000}	6.500 ^{-0.0017} / _{-0.0056}	6.993 ^{+0.010} / _{+0.000}	7.497 ^{+0.006} / _{+0.000}	73.84
ST-675	6-3/4	7-1/2	3/8	.585	.374 ^{+0.004} / _{+0.000}	6.750 ^{-0.0017} / _{-0.0056}	7.243 ^{+0.010} / _{+0.000}	7.497 ^{+0.006} / _{+0.000}	23.54
ST-702	7	8	.4	.675	.399 ^{+0.004} / _{+0.000}	7.000 ^{-0.0017} / _{-0.0056}	7.659 ^{+0.010} / _{+0.000}	7.997 ^{+0.006} / _{+0.000}	73.55
ST-701	7	8	1/2	.775	.499 ^{+0.004} / _{+0.000}	7.000 ^{-0.0017} / _{-0.0056}	7.659 ^{+0.010} / _{+0.000}	7.997 ^{+0.006} / _{+0.000}	73.23
ST-750	7-1/2	8-1/4	3/8	.585	.374 ^{+0.004} / _{+0.000}	7.500 ^{-0.0020} / _{-0.0065}	7.993 ^{+0.010} / _{+0.000}	8.247 ^{+0.006} / _{+0.000}	26.24
ST-750-A	7-1/2	8-1/2	3/8	.585	.374 ^{+0.004} / _{+0.000}	7.500 ^{-0.0020} / _{-0.0065}	8.159 ^{+0.010} / _{+0.000}	8.497 ^{+0.006} / _{+0.000}	89.18
ST-775	7-3/4	8-1/2	3/8	.585	.374 ^{+0.004} / _{+0.000}	7.750 ^{-0.0020} / _{-0.0065}	8.243 ^{+0.010} / _{+0.000}	8.497 ^{+0.006} / _{+0.000}	28.11
ST-801	8	8-1/2	1/4	.395	.249 ^{+0.004} / _{+0.000}	8.000 ^{-0.0020} / _{-0.0065}	8.327 ^{+0.010} / _{+0.000}	8.497 ^{+0.006} / _{+0.000}	30.04
ST-800	8	8-3/4	3/8	.585	.374 ^{+0.004} / _{+0.000}	8.000 ^{-0.0020} / _{-0.0065}	8.493 ^{+0.010} / _{+0.000}	8.747 ^{+0.006} / _{+0.000}	30.04

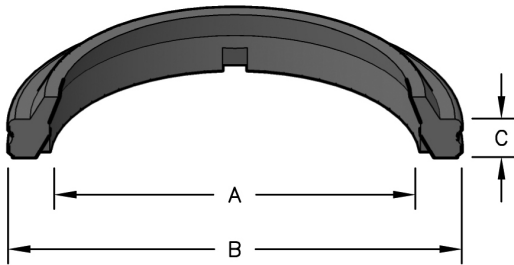
STYLE ST URETHANE WIPER RINGS

WIPER RINGS

Part Number	A Nom. ID	B Nom. OD	C Nom. Ht	C ₁ OVERALL HEIGHT	D GROOVE WIDTH	E ROD DIAMETER	F THROAT DIAMETER	G HOUSING DIAMETER	List Price
ST-825	8-1/4	9	3/8	.585	.374 ^{+0.004} / _{+0.000}	8.250 ^{-0.0020} / _{-0.0065}	8.743 ^{+0.010} / _{+0.000}	8.997 ^{+0.006} / _{+0.000}	30.47
ST-851	8-1/2	9	1/4	.395	.249 ^{+0.004} / _{+0.000}	8.500 ^{-0.0020} / _{-0.0065}	8.827 ^{+0.010} / _{+0.000}	8.997 ^{+0.006} / _{+0.000}	75.02
ST-850	8-1/2	9-1/4	3/8	.585	.374 ^{+0.004} / _{+0.000}	8.500 ^{-0.0020} / _{-0.0065}	8.993 ^{+0.010} / _{+0.000}	9.247 ^{+0.006} / _{+0.000}	30.47
ST-875	8-3/4	9-1/2	1/4	.395	.374 ^{+0.004} / _{+0.000}	8.750 ^{-0.0020} / _{-0.0065}	9.243 ^{+0.010} / _{+0.000}	9.497 ^{+0.006} / _{+0.000}	32.36
ST-900	9	9-3/4	3/8	.585	.374 ^{+0.004} / _{+0.000}	9.000 ^{-0.0020} / _{-0.0065}	9.493 ^{+0.010} / _{+0.000}	9.747 ^{+0.006} / _{+0.000}	34.63
ST-950	9-1/2	10-1/4	3/8	.585	.374 ^{+0.004} / _{+0.000}	9.500 ^{-0.0020} / _{-0.0065}	9.993 ^{+0.010} / _{+0.000}	10.247 ^{+0.006} / _{+0.000}	36.37
ST-975	9-3/4	10-1/2	3/8	.585	.374 ^{+0.004} / _{+0.000}	9.750 ^{-0.0020} / _{-0.0065}	10.243 ^{+0.010} / _{+0.000}	10.497 ^{+0.006} / _{+0.000}	38.83
ST-1000A	10	10-1/2	1/4	.395	.249 ^{+0.004} / _{+0.000}	10.000 ^{-0.0022} / _{-0.0073}	10.313 ^{+0.010} / _{+0.000}	10.497 ^{+0.006} / _{+0.000}	95.12
ST-1000	10	11	1/2	.775	.499 ^{+0.004} / _{+0.000}	10.000 ^{-0.0022} / _{-0.0073}	10.659 ^{+0.010} / _{+0.000}	10.997 ^{+0.006} / _{+0.000}	44.49
ST-1100	11	12	1/2	.775	.499 ^{+0.004} / _{+0.000}	11.000 ^{-0.0022} / _{-0.0073}	11.659 ^{+0.010} / _{+0.000}	11.997 ^{+0.006} / _{+0.000}	48.25
ST-1200	12	13	1/2	.775	.499 ^{+0.004} / _{+0.000}	12.000 ^{-0.0022} / _{-0.0073}	12.659 ^{+0.010} / _{+0.000}	12.997 ^{+0.006} / _{+0.000}	51.62
ST-1201	12	13-1/4	1/2	.775	.499 ^{+0.004} / _{+0.000}	12.000 ^{-0.0022} / _{-0.0073}	12.909 ^{+0.010} / _{+0.000}	13.247 ^{+0.006} / _{+0.000}	109.10
ST-1250	12-1/2	13-1/2	1/2	.775	.499 ^{+0.004} / _{+0.000}	12.500 ^{-0.0024} / _{-0.0080}	13.159 ^{+0.010} / _{+0.000}	13.497 ^{+0.006} / _{+0.000}	111.81

STYLE ST URETHANE WIPER RINGS WITH SLOTTED HEEL

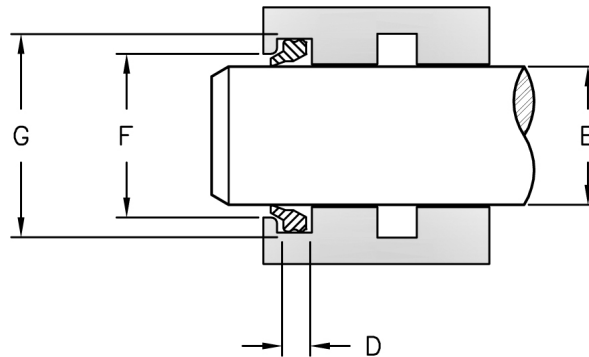
A wide range of ST wipers are now offered in the slotted heel design. The slots in the heel allow excess hydraulic fluid to bypass the wiper, preventing wiper blowout.



HERCULES PART NUMBERS

ST - 31 - SH
 Prefix Size Slotted Heel

SEAL INFORMATION	
MATERIAL	90A URETHANE
TEMPERATURE RANGE	-40° TO +200° F
SPEED	3 FT/SEC



Part Number	A Nom. ID	B Nom. OD	C Nom. Ht	D GROOVE WIDTH	E ROD DIAMETER	F THROAT DIAMETER	G HOUSING DIAMETER	List Price
ST-31-SH	5/16	9/16	1/8	.124 ^{+0.04} / _{+0.00}	.312 ^{-0.005} / _{-0.0019}	.475 ^{+0.010} / _{+0.00}	.560 ^{+0.006} / _{+0.00}	\$ 2.76
ST-37-SH	3/8	5/8	1/8	.124 ^{+0.04} / _{+0.00}	.375 ^{-0.005} / _{-0.0019}	.535 ^{+0.010} / _{+0.00}	.622 ^{+0.006} / _{+0.00}	2.76
ST-43-SH	7/16	11/16	1/8	.124 ^{+0.04} / _{+0.00}	.437 ^{-0.006} / _{-0.0023}	.600 ^{+0.010} / _{+0.00}	.685 ^{+0.006} / _{+0.00}	2.76
ST-50-SH	1/2	3/4	1/8	.124 ^{+0.04} / _{+0.00}	.500 ^{-0.006} / _{-0.0023}	.660 ^{+0.010} / _{+0.00}	.747 ^{+0.006} / _{+0.00}	2.76
ST-62-SH	5/8	7/8	1/8	.124 ^{+0.04} / _{+0.00}	.625 ^{-0.006} / _{-0.0023}	.785 ^{+0.010} / _{+0.00}	.872 ^{+0.006} / _{+0.00}	3.28
ST-68-SH	11/16	.934	.124	.124 ^{+0.04} / _{+0.00}	.687 ^{-0.006} / _{-0.0023}	.844 ^{+0.010} / _{+0.00}	.934 ^{+0.006} / _{+0.00}	3.28
ST-75-SH	3/4	1-1/8	3/16	.187 ^{+0.04} / _{+0.00}	.750 ^{-0.008} / _{-0.0028}	.995 ^{+0.010} / _{+0.00}	1.122 ^{+0.006} / _{+0.00}	3.28
ST-87-SH	7/8	1-1/4	3/16	.187 ^{+0.04} / _{+0.00}	.875 ^{-0.008} / _{-0.0028}	1.120 ^{+0.010} / _{+0.00}	1.247 ^{+0.006} / _{+0.00}	3.28
ST-100-SH	1	1-3/8	3/16	.187 ^{+0.04} / _{+0.00}	1.000 ^{-0.008} / _{-0.0028}	1.245 ^{+0.010} / _{+0.00}	1.372 ^{+0.006} / _{+0.00}	3.28
ST-112-SH	1-1/8	1-1/2	3/16	.187 ^{+0.04} / _{+0.00}	1.125 ^{-0.008} / _{-0.0028}	1.370 ^{+0.010} / _{+0.00}	1.497 ^{+0.006} / _{+0.00}	3.28
ST-125-SH	1-1/4	1-5/8	3/16	.187 ^{+0.04} / _{+0.00}	1.250 ^{-0.010} / _{-0.0034}	1.495 ^{+0.010} / _{+0.00}	1.622 ^{+0.006} / _{+0.00}	3.58
ST-137-SH	1-3/8	1-3/4	3/16	.187 ^{+0.04} / _{+0.00}	1.375 ^{-0.010} / _{-0.0034}	1.620 ^{+0.010} / _{+0.00}	1.747 ^{+0.006} / _{+0.00}	3.81
ST-150-SH	1-1/2	1-7/8	3/16	.187 ^{+0.04} / _{+0.00}	1.500 ^{-0.010} / _{-0.0034}	1.745 ^{+0.010} / _{+0.00}	1.872 ^{+0.006} / _{+0.00}	4.19
ST-162-SH	1-5/8	2	3/16	.187 ^{+0.04} / _{+0.00}	1.625 ^{-0.010} / _{-0.0034}	1.870 ^{+0.010} / _{+0.00}	1.997 ^{+0.006} / _{+0.00}	4.46
ST-175-SH	1-3/4	2-1/8	3/16	.187 ^{+0.04} / _{+0.00}	1.750 ^{-0.010} / _{-0.0034}	1.995 ^{+0.010} / _{+0.00}	2.122 ^{+0.006} / _{+0.00}	4.69
ST-187-SH	1-7/8	2-1/4	3/16	.187 ^{+0.04} / _{+0.00}	1.875 ^{-0.010} / _{-0.0034}	2.120 ^{+0.010} / _{+0.00}	2.247 ^{+0.006} / _{+0.00}	4.80
ST-200-SH	2	2-1/2	1/4	.249 ^{+0.04} / _{+0.00}	2.000 ^{-0.012} / _{-0.0041}	2.327 ^{+0.010} / _{+0.00}	2.497 ^{+0.006} / _{+0.00}	4.92

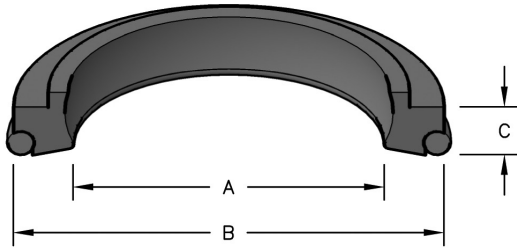
STYLE ST URETHANE WIPER RINGS WITH SLOTTED HEEL

WIPER RINGS

Part Number	A Nom. ID	B Nom. OD	C Nom. Ht	D GROOVE WIDTH	E ROD DIAMETER	F THROAT DIAMETER	G HOUSING DIAMETER	List Price
ST-212-SH	2-1/8	2-5/8	1/4	.249 ^{+0.004} / _{+0.000}	2.125 ^{-0.0012} / _{-0.0041}	2.452 ^{+0.010} / _{+0.000}	2.622 ^{+0.006} / _{+0.000}	5.11
ST-225-SH	2-1/4	2-3/4	1/4	.249 ^{+0.004} / _{+0.000}	2.250 ^{-0.0012} / _{-0.0041}	2.577 ^{+0.010} / _{+0.000}	2.747 ^{+0.006} / _{+0.000}	5.20
ST-237-SH	2-3/8	2-7/8	1/4	.249 ^{+0.004} / _{+0.000}	2.375 ^{-0.0012} / _{-0.0041}	2.702 ^{+0.010} / _{+0.000}	2.872 ^{+0.006} / _{+0.000}	5.20
ST-250-SH	2-1/2	3	1/4	.249 ^{+0.004} / _{+0.000}	2.500 ^{-0.0012} / _{-0.0041}	2.827 ^{+0.010} / _{+0.000}	2.997 ^{+0.006} / _{+0.000}	5.20
ST-262-SH	2-5/8	3-1/8	1/4	.249 ^{+0.004} / _{+0.000}	2.625 ^{-0.0012} / _{-0.0041}	2.952 ^{+0.010} / _{+0.000}	3.122 ^{+0.006} / _{+0.000}	5.62
ST-275-SH	2-3/4	3-1/4	1/4	.249 ^{+0.004} / _{+0.000}	2.750 ^{-0.0012} / _{-0.0041}	3.077 ^{+0.010} / _{+0.000}	3.247 ^{+0.006} / _{+0.000}	5.99
ST-300-SH	3	3-1/2	1/4	.249 ^{+0.004} / _{+0.000}	3.000 ^{-0.0012} / _{-0.0041}	3.327 ^{+0.010} / _{+0.000}	3.497 ^{+0.006} / _{+0.000}	6.26
ST-312-SH	3-1/8	3-5/8	1/4	.249 ^{+0.004} / _{+0.000}	3.125 ^{-0.0012} / _{-0.0041}	3.452 ^{+0.010} / _{+0.000}	3.622 ^{+0.006} / _{+0.000}	6.93
ST-325-SH	3-1/4	3-3/4	1/4	.249 ^{+0.004} / _{+0.000}	3.250 ^{-0.0014} / _{-0.0048}	3.577 ^{+0.010} / _{+0.000}	3.747 ^{+0.006} / _{+0.000}	7.12
ST-350-SH	3-1/2	4	1/4	.249 ^{+0.004} / _{+0.000}	3.500 ^{-0.0014} / _{-0.0048}	3.827 ^{+0.010} / _{+0.000}	3.997 ^{+0.006} / _{+0.000}	7.12
ST-362-SH	3-5/8	4-1/8	1/4	.249 ^{+0.004} / _{+0.000}	3.625 ^{-0.0014} / _{-0.0048}	3.952 ^{+0.010} / _{+0.000}	4.122 ^{+0.006} / _{+0.000}	7.70
ST-375-SH	3-3/4	4-1/4	1/4	.249 ^{+0.004} / _{+0.000}	3.750 ^{-0.0014} / _{-0.0048}	4.077 ^{+0.010} / _{+0.000}	4.247 ^{+0.006} / _{+0.000}	8.26
ST-400-SH	4	4-1/2	1/4	.249 ^{+0.004} / _{+0.000}	4.000 ^{-0.0014} / _{-0.0048}	4.327 ^{+0.010} / _{+0.000}	4.497 ^{+0.006} / _{+0.000}	9.27
ST-425-SH	4-1/4	4-3/4	1/4	.249 ^{+0.004} / _{+0.000}	4.250 ^{-0.0014} / _{-0.0048}	4.577 ^{+0.010} / _{+0.000}	4.747 ^{+0.006} / _{+0.000}	9.59
ST-450-SH	4-1/2	5-1/4	3/8	.374 ^{+0.004} / _{+0.000}	4.500 ^{-0.0014} / _{-0.0048}	4.993 ^{+0.010} / _{+0.000}	5.247 ^{+0.006} / _{+0.000}	10.38
ST-475-SH	4-3/4	5-1/2	3/8	.374 ^{+0.004} / _{+0.000}	4.750 ^{-0.0017} / _{-0.0056}	5.243 ^{+0.010} / _{+0.000}	5.497 ^{+0.006} / _{+0.000}	10.99
ST-500-SH	5	5-3/4	3/8	.374 ^{+0.004} / _{+0.000}	5.000 ^{-0.0017} / _{-0.0056}	5.493 ^{+0.010} / _{+0.000}	5.747 ^{+0.006} / _{+0.000}	14.51
ST-525-SH	5-1/4	6	3/8	.374 ^{+0.004} / _{+0.000}	5.250 ^{-0.0017} / _{-0.0056}	5.743 ^{+0.010} / _{+0.000}	5.997 ^{+0.006} / _{+0.000}	17.91
ST-550-SH	5-1/2	6-1/4	3/8	.374 ^{+0.004} / _{+0.000}	5.500 ^{-0.0017} / _{-0.0056}	5.993 ^{+0.010} / _{+0.000}	6.247 ^{+0.006} / _{+0.000}	18.82
ST-600-SH	6	6-3/4	3/8	.374 ^{+0.004} / _{+0.000}	6.000 ^{-0.0017} / _{-0.0056}	6.493 ^{+0.010} / _{+0.000}	6.747 ^{+0.006} / _{+0.000}	21.33
ST-700-SH	7	7-3/4	3/8	.374 ^{+0.004} / _{+0.000}	7.000 ^{-0.0017} / _{-0.0056}	7.493 ^{+0.010} / _{+0.000}	7.747 ^{+0.006} / _{+0.000}	25.32
ST-725-SH	7-1/4	8	3/8	.374 ^{+0.004} / _{+0.000}	7.250 ^{-0.0020} / _{-0.0065}	7.743 ^{+0.010} / _{+0.000}	7.997 ^{+0.006} / _{+0.000}	25.73
ST-750-SH	7-1/2	8-1/4	3/8	.374 ^{+0.004} / _{+0.000}	7.500 ^{-0.0020} / _{-0.0065}	7.993 ^{+0.010} / _{+0.000}	8.247 ^{+0.006} / _{+0.000}	27.23
ST-800-SH	8	8-3/4	3/8	.374 ^{+0.004} / _{+0.000}	8.000 ^{-0.0020} / _{-0.0065}	8.493 ^{+0.010} / _{+0.000}	8.747 ^{+0.006} / _{+0.000}	28.43
ST-900-SH	9	9-3/4	3/8	.374 ^{+0.004} / _{+0.000}	9.000 ^{-0.0020} / _{-0.0065}	9.493 ^{+0.010} / _{+0.000}	9.747 ^{+0.006} / _{+0.000}	34.00

STYLE STXE ENERGIZED WIPER RINGS

STXE wipers are designed to retrofit the standard ST wiper groove while providing superior performance. The o-ring energizer limits dirt intrusion around the OD of the wiper. The energizer also makes this wiper more effective in applications with severe side deflections.

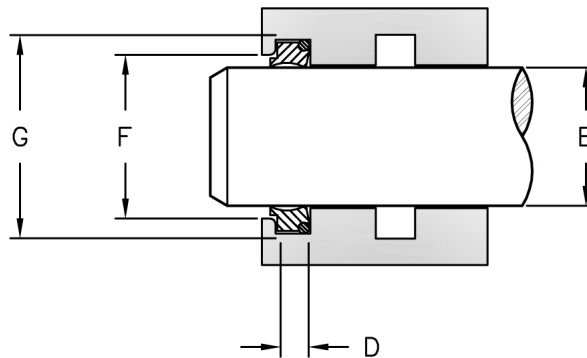


HERCULES PART NUMBERS

STXE - 150
Prefix Size

SEAL INFORMATION

MATERIAL	URETHANE WIPER RUBBER ENERGIZER
TEMPERATURE RANGE	-40° TO +200° F
SPEED	3 FT/SEC

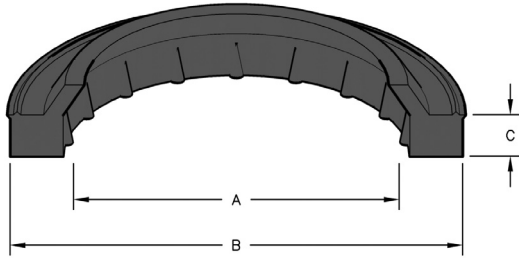


Part Number	A Nom. ID	B Nom. OD	C Nom. Ht	D GROOVE WIDTH	E ROD DIAMETER	F THROAT DIAMETER	G HOUSING DIAMETER	List Price
STXE-150	1-1/2	1-7/8	3/16	.187 +0.004 +0.000	1.500 -0.0010 -0.0034	1.745 +0.010 +0.000	1.872 +0.006 +0.000	\$13.95
STXE-175	1-3/4	2-1/8	3/16	.187 +0.004 +0.000	1.750 -0.0010 -0.0034	1.995 +0.010 +0.000	2.122 +0.006 +0.000	15.90
STXE-200	2	2-1/2	1/4	.249 +0.004 +0.000	2.000 -0.0012 -0.0041	2.327 +0.010 +0.000	2.497 +0.006 +0.000	17.89
STXE-250	2-1/2	3	1/4	.249 +0.004 +0.000	2.500 -0.0012 -0.0041	2.827 +0.010 +0.000	2.997 +0.006 +0.000	20.55
STXE-300	3	3-1/2	1/4	.249 +0.004 +0.000	3.000 -0.0012 -0.0041	3.327 +0.010 +0.000	3.497 +0.006 +0.000	23.60
STXE-350	3-1/2	4	1/4	.249 +0.004 +0.000	3.500 -0.0014 -0.0048	3.827 +0.010 +0.000	3.997 +0.006 +0.000	35.62
STXE-375	3-3/4	4-1/4	1/4	.249 +0.004 +0.000	3.750 -0.0014 -0.0048	4.077 +0.010 +0.000	4.247 +0.006 +0.000	36.05
STXE-400	4	4-1/2	1/4	.249 +0.004 +0.000	4.000 -0.0014 -0.0048	4.327 +0.010 +0.000	4.497 +0.006 +0.000	36.83
STXE-450	4-1/2	5-1/4	3/8	.374 +0.004 +0.000	4.500 -0.0014 -0.0048	4.993 +0.010 +0.000	5.247 +0.006 +0.000	52.75

Seal color may vary. Special order sizes are available. Sizes not shown and out of stock items can also be ordered for next day delivery through Seals On Demand, our custom seal program. Please call your regional sales team for assistance.

STYLE ST-XL URETHANE WIPER RINGS

Style ST-XL wipers are molded from premium urethane and are direct replacements for Style "ST" or "D" wipers. The outside diameter of the ring has a crush lip providing extra interference in the groove. A bead on the shoulder stops contaminants from entering through the groove. The inside diameter is ribbed to prevent pressure traps between the wiper and rod seal.

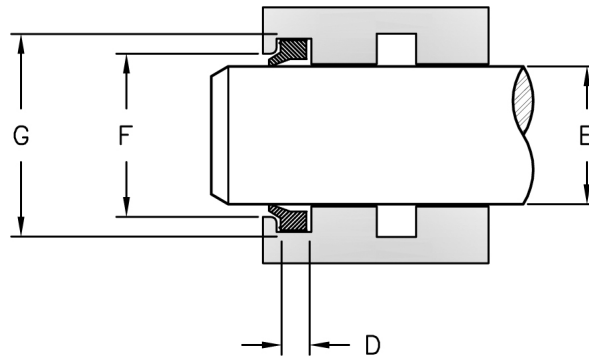


HERCULES PART NUMBERS

ST - 37 - XL
 Prefix Size Extra Lip

SEAL INFORMATION

MATERIAL	94A URETHANE
TEMPERATURE RANGE	-40° TO +230° F
SPEED	3 FT/SEC



Part Number	A Nom. ID	B Nom. OD	C Nom. Ht	D GROOVE WIDTH	E ROD DIAMETER	F THROAT DIAMETER	G HOUSING DIAMETER	List Price
ST-37-XL	3/8	5/8	1/8	.124 ^{+0.004} / _{+0.000}	.375 ^{-0.0005} / _{-0.0019}	.535 ^{+0.010} / _{+0.000}	.622 ^{+0.006} / _{+0.000}	\$2.95
ST-50-XL	1/2	3/4	1/8	.124 ^{+0.004} / _{+0.000}	.500 ^{-0.0006} / _{-0.0023}	.660 ^{+0.010} / _{+0.000}	.747 ^{+0.006} / _{+0.000}	2.95
ST-62-XL	5/8	7/8	1/8	.124 ^{+0.004} / _{+0.000}	.625 ^{-0.0006} / _{-0.0023}	.785 ^{+0.010} / _{+0.000}	.872 ^{+0.006} / _{+0.000}	1.76
ST-75-XL	3/4	1-1/8	3/16	.187 ^{+0.004} / _{+0.000}	.750 ^{-0.0008} / _{-0.0028}	.995 ^{+0.010} / _{+0.000}	1.122 ^{+0.006} / _{+0.000}	3.34
ST-87-XL	7/8	1-1/4	3/16	.187 ^{+0.004} / _{+0.000}	.875 ^{-0.0008} / _{-0.0028}	1.120 ^{+0.010} / _{+0.000}	1.247 ^{+0.006} / _{+0.000}	2.06
ST-100-XL	1	1-3/8	3/16	.187 ^{+0.004} / _{+0.000}	1.000 ^{-0.0008} / _{-0.0028}	1.245 ^{+0.010} / _{+0.000}	1.372 ^{+0.006} / _{+0.000}	4.45
ST-112-XL	1-1/8	1-1/2	3/16	.187 ^{+0.004} / _{+0.000}	1.125 ^{-0.0008} / _{-0.0028}	1.370 ^{+0.010} / _{+0.000}	1.497 ^{+0.006} / _{+0.000}	4.45
ST-118-XL	1-3/16	1-9/16	3/16	.187 ^{+0.004} / _{+0.000}	1.187 ^{-0.0010} / _{-0.0034}	1.4375 ^{+0.010} / _{+0.000}	1.5625 ^{+0.006} / _{+0.000}	3.92
ST-125-XL	1-1/4	1-5/8	3/16	.187 ^{+0.004} / _{+0.000}	1.250 ^{-0.0010} / _{-0.0034}	1.495 ^{+0.010} / _{+0.000}	1.622 ^{+0.006} / _{+0.000}	4.83
ST-137-XL	1-3/8	1-3/4	3/16	.187 ^{+0.004} / _{+0.000}	1.375 ^{-0.0010} / _{-0.0034}	1.620 ^{+0.010} / _{+0.000}	1.747 ^{+0.006} / _{+0.000}	5.11
ST-150-XL	1-1/2	1-7/8	3/16	.187 ^{+0.004} / _{+0.000}	1.500 ^{-0.0010} / _{-0.0034}	1.745 ^{+0.010} / _{+0.000}	1.872 ^{+0.006} / _{+0.000}	5.39
ST-162-XL	1-5/8	2	3/16	.187 ^{+0.004} / _{+0.000}	1.625 ^{-0.0010} / _{-0.0034}	1.870 ^{+0.010} / _{+0.000}	1.997 ^{+0.006} / _{+0.000}	5.87
ST-175-XL	1-3/4	2-1/8	3/16	.187 ^{+0.004} / _{+0.000}	1.750 ^{-0.0010} / _{-0.0034}	1.995 ^{+0.010} / _{+0.000}	2.122 ^{+0.006} / _{+0.000}	6.31
ST-187-XL	1-7/8	2-1/4	3/16	.187 ^{+0.004} / _{+0.000}	1.875 ^{-0.0010} / _{-0.0034}	2.120 ^{+0.010} / _{+0.000}	2.247 ^{+0.006} / _{+0.000}	6.94
ST-200-XL	2	2-1/2	1/4	.249 ^{+0.004} / _{+0.000}	2.000 ^{-0.0012} / _{-0.0041}	2.327 ^{+0.010} / _{+0.000}	2.497 ^{+0.006} / _{+0.000}	6.60
ST-225-XL	2-1/4	2-3/4	1/4	.249 ^{+0.004} / _{+0.000}	2.250 ^{-0.0012} / _{-0.0041}	2.577 ^{+0.010} / _{+0.000}	2.747 ^{+0.006} / _{+0.000}	6.96

STYLE ST-XL URETHANE WIPER RINGS

WIPER RINGS

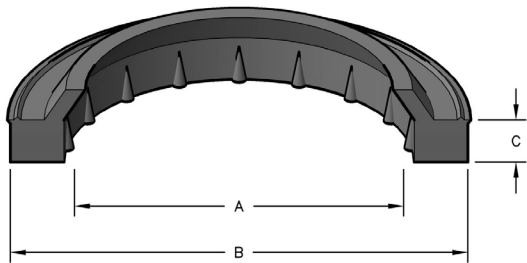
Part Number	A Nom. ID	B Nom. OD	C Nom. Ht	D GROOVE WIDTH	E ROD DIAMETER	F THROAT DIAMETER	G HOUSING DIAMETER	List Price
ST-237-XL	2-3/8	2-7/8	1/4	.249 ^{+0.04} / _{+0.00}	2.375 ^{-0.012} / _{-0.041}	2.702 ^{+0.010} / _{+0.00}	2.872 ^{+0.006} / _{+0.00}	7.35
ST-250-XL	2-1/2	3	1/4	.249 ^{+0.04} / _{+0.00}	2.500 ^{-0.012} / _{-0.041}	2.827 ^{+0.010} / _{+0.00}	2.997 ^{+0.006} / _{+0.00}	7.73
ST-275-XL	2-3/4	3-1/4	1/4	.249 ^{+0.04} / _{+0.00}	2.750 ^{-0.012} / _{-0.041}	3.077 ^{+0.010} / _{+0.00}	3.247 ^{+0.006} / _{+0.00}	8.05
ST-300-XL	3	3-1/2	1/4	.249 ^{+0.04} / _{+0.00}	3.000 ^{-0.012} / _{-0.041}	3.327 ^{+0.010} / _{+0.00}	3.497 ^{+0.006} / _{+0.00}	8.37
ST-325-XL	3-1/4	3-3/4	1/4	.249 ^{+0.04} / _{+0.00}	3.250 ^{-0.014} / _{-0.048}	3.577 ^{+0.010} / _{+0.00}	3.747 ^{+0.006} / _{+0.00}	9.24
ST-350-XL	3-1/2	4	1/4	.249 ^{+0.04} / _{+0.00}	3.500 ^{-0.014} / _{-0.048}	3.827 ^{+0.010} / _{+0.00}	3.997 ^{+0.006} / _{+0.00}	9.51
ST-375-XL	3-3/4	4-1/4	1/4	.249 ^{+0.04} / _{+0.00}	3.750 ^{-0.014} / _{-0.048}	4.077 ^{+0.010} / _{+0.00}	4.247 ^{+0.006} / _{+0.00}	10.97
ST-387-XL	3-7/8	4-3/8	1/4	.249 ^{+0.04} / _{+0.00}	3.875 ^{-0.001} / _{-0.005}	4.202 ^{+0.010} / _{+0.00}	4.372 ^{+0.006} / _{+0.00}	11.70
ST-400-XL	4	4-1/2	1/4	.249 ^{+0.04} / _{+0.00}	4.000 ^{-0.014} / _{-0.048}	4.327 ^{+0.010} / _{+0.00}	4.497 ^{+0.006} / _{+0.00}	12.43
ST-425-XL	4-1/4	4-3/4	1/4	.249 ^{+0.04} / _{+0.00}	4.250 ^{-0.014} / _{-0.048}	4.577 ^{+0.010} / _{+0.00}	4.747 ^{+0.006} / _{+0.00}	13.17
ST-450A-XL	4-1/2	5	1/4	.249 ^{+0.04} / _{+0.00}	4.500 ^{-0.001} / _{-0.005}	4.827 ^{+0.010} / _{+0.00}	4.997 ^{+0.006} / _{+0.00}	12.98
ST-450-XL	4-1/2	5-1/4	3/8	.374 ^{+0.04} / _{+0.00}	4.500 ^{-0.014} / _{-0.048}	4.993 ^{+0.010} / _{+0.00}	5.247 ^{+0.006} / _{+0.00}	13.88
ST-475-XL	4-3/4	5-1/2	3/8	.374 ^{+0.04} / _{+0.00}	4.750 ^{-0.017} / _{-0.056}	5.243 ^{+0.010} / _{+0.00}	5.497 ^{+0.006} / _{+0.00}	17.41
ST-500A-XL	5	5-1/2	1/4	.250 ^{+0.04} / _{+0.00}	5.000 ^{-0.002} / _{-0.006}	5.327 ^{+0.010} / _{+0.00}	4.997 ^{+0.006} / _{+0.00}	21.06
ST-500-XL	5	5-3/4	3/8	.374 ^{+0.04} / _{+0.00}	5.000 ^{-0.017} / _{-0.056}	5.493 ^{+0.010} / _{+0.00}	5.747 ^{+0.006} / _{+0.00}	20.93
ST-525-XL	5-1/4	6	3/8	.374 ^{+0.04} / _{+0.00}	5.250 ^{-0.017} / _{-0.056}	5.743 ^{+0.010} / _{+0.00}	5.997 ^{+0.006} / _{+0.00}	23.93
ST-550-XL	5-1/2	6-1/4	3/8	.374 ^{+0.04} / _{+0.00}	5.500 ^{-0.017} / _{-0.056}	5.993 ^{+0.010} / _{+0.00}	6.247 ^{+0.006} / _{+0.00}	24.10
ST-575-XL	5-3/4	6-1/2	3/8	.374 ^{+0.04} / _{+0.00}	5.750 ^{-0.017} / _{-0.056}	6.243 ^{+0.010} / _{+0.00}	6.497 ^{+0.006} / _{+0.00}	26.23
ST-600-XL	6	6-3/4	3/8	.374 ^{+0.04} / _{+0.00}	6.000 ^{-0.017} / _{-0.056}	6.493 ^{+0.010} / _{+0.00}	6.747 ^{+0.006} / _{+0.00}	28.38
ST-650-XL	6-1/2	7-1/4	3/8	.374 ^{+0.04} / _{+0.00}	6.500 ^{-0.017} / _{-0.056}	6.993 ^{+0.010} / _{+0.00}	7.247 ^{+0.006} / _{+0.00}	23.78
ST-700-XL	7	7-3/4	3/8	.374 ^{+0.04} / _{+0.00}	7.000 ^{-0.017} / _{-0.056}	7.493 ^{+0.010} / _{+0.00}	7.747 ^{+0.006} / _{+0.00}	26.17
ST-750-XL	7-1/2	8-1/4	3/8	.374 ^{+0.04} / _{+0.00}	7.500 ^{-0.020} / _{-0.065}	7.993 ^{+0.010} / _{+0.00}	8.247 ^{+0.006} / _{+0.00}	30.06
ST-800-XL	8	8-3/4	3/8	.374 ^{+0.04} / _{+0.00}	8.000 ^{-0.020} / _{-0.065}	8.493 ^{+0.010} / _{+0.00}	8.747 ^{+0.006} / _{+0.00}	31.76
ST-825-XL	8-1/4	9	3/8	.374 ^{+0.04} / _{+0.00}	8.250 ^{-0.020} / _{-0.065}	8.743 ^{+0.010} / _{+0.00}	8.997 ^{+0.006} / _{+0.00}	34.07
ST-850-XL	8-1/2	9-1/4	3/8	.374 ^{+0.04} / _{+0.00}	8.500 ^{-0.020} / _{-0.065}	8.993 ^{+0.010} / _{+0.00}	9.247 ^{+0.006} / _{+0.00}	34.76
ST-900-XL	9	9-3/4	3/8	.374 ^{+0.04} / _{+0.00}	9.000 ^{-0.002} / _{-0.006}	9.493 ^{+0.010} / _{+0.00}	9.747 ^{+0.006} / _{+0.00}	41.51
ST-1000-XL	10	11	1/2	.499 ^{+0.04} / _{+0.00}	10.000 ^{-0.022} / _{-0.073}	10.659 ^{+0.010} / _{+0.00}	10.997 ^{+0.006} / _{+0.00}	48.25
ST-1100-XL	11	12	1/2	.499 ^{+0.04} / _{+0.00}	11.000 ^{-0.002} / _{-0.007}	11.659 ^{+0.010} / _{+0.00}	11.997 ^{+0.006} / _{+0.00}	52.59
ST-1200-XL	12	13	1/2	.499 ^{+0.04} / _{+0.00}	12.000 ^{-0.002} / _{-0.007}	12.659 ^{+0.010} / _{+0.00}	12.997 ^{+0.006} / _{+0.00}	61.98

* Closeout item - Price Shown as Net. This item will no longer be available once stock has been depleted.

FORMERLY LISTED REPAIR PARTS ARE AVAILABLE ONLINE AT WWW.HERCULESUS.COM
OR BY CONTACTING YOUR REGIONAL HERCULES SALES TEAM.

STYLE ST-XL-PM URETHANE WIPER RINGS

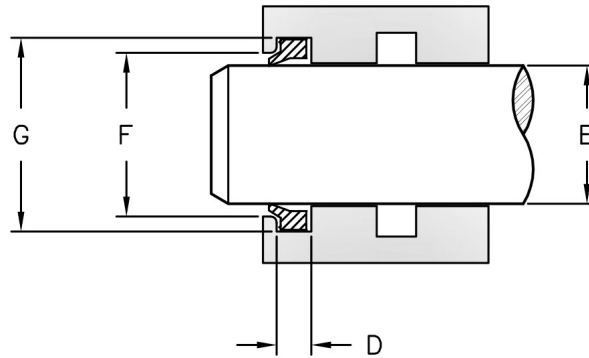
Style ST-XL-PM wipers are molded from 55D polyester and are direct replacements for Style "ST", "ST-XL" or "D" wipers. The polyester based material provides a tough abrasion resistant wiper for heavy contaminant environments. The outside diameter of the ring has a crush lip providing extra interference in the groove. A bead on the shoulder stops contaminants from entering through the groove. The inside diameter is ribbed to prevent pressure traps between the wiper and rod seal.



HERCULES PART NUMBERS

ST - 100 - XL - PM
 Prefix Size Extra Lip

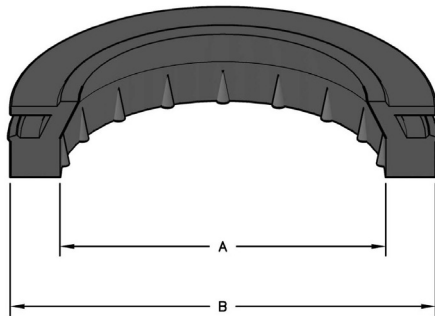
SEAL INFORMATION	
MATERIAL	55D POLYESTER
TEMPERATURE RANGE	-40° TO +250° F
SPEED	12 FT/SEC



Part Number	A Nom. ID	B Nom. OD	C Nom. Ht	D GROOVE WIDTH	E ROD DIAMETER	F THROAT DIAMETER	G HOUSING DIAMETER	List Price
ST-100-XL-PM	1	1-3/8	3/16	.187 ^{+0.004} / _{+0.000}	1.000 ^{-0.001} / _{-0.003}	1.245 ^{+0.010} / _{+0.000}	1.372 ^{+0.006} / _{+0.000}	\$5.34
ST-137-XL-PM	1-3/8	1-3/4	3/16	.187 ^{+0.004} / _{+0.000}	1.375 ^{-0.001} / _{-0.003}	1.620 ^{+0.010} / _{+0.000}	1.747 ^{+0.006} / _{+0.000}	6.14
ST-150-XL-PM	1-1/2	1-7/8	3/16	.187 ^{+0.004} / _{+0.000}	1.500 ^{-0.001} / _{-0.003}	1.745 ^{+0.010} / _{+0.000}	1.872 ^{+0.006} / _{+0.000}	6.48
ST-175-XL-PM	1-3/4	2-1/8	3/16	.187 ^{+0.004} / _{+0.000}	1.750 ^{-0.001} / _{-0.003}	1.995 ^{+0.010} / _{+0.000}	2.122 ^{+0.006} / _{+0.000}	7.57
ST-200-XL-PM	2	2-1/2	1/4	.249 ^{+0.004} / _{+0.000}	2.000 ^{-0.001} / _{-0.004}	2.327 ^{+0.010} / _{+0.000}	2.497 ^{+0.006} / _{+0.000}	7.93
ST-225-XL-PM	2-1/4	2-3/4	1/4	.249 ^{+0.004} / _{+0.000}	2.250 ^{-0.001} / _{-0.004}	2.577 ^{+0.010} / _{+0.000}	2.747 ^{+0.006} / _{+0.000}	8.36
ST-250-XL-PM	2-1/2	3	1/4	.249 ^{+0.004} / _{+0.000}	2.500 ^{-0.001} / _{-0.004}	2.827 ^{+0.010} / _{+0.000}	2.997 ^{+0.006} / _{+0.000}	9.28
ST-300-XL-PM	3	3-1/2	1/4	.249 ^{+0.004} / _{+0.000}	3.000 ^{-0.001} / _{-0.004}	3.327 ^{+0.010} / _{+0.000}	3.497 ^{+0.006} / _{+0.000}	10.04
ST-350-XL-PM	3-1/2	4	1/4	.249 ^{+0.004} / _{+0.000}	3.500 ^{-0.001} / _{-0.005}	3.827 ^{+0.010} / _{+0.000}	3.997 ^{+0.006} / _{+0.000}	11.41
ST-400-XL-PM	4	4-1/2	1/4	.249 ^{+0.004} / _{+0.000}	4.000 ^{-0.001} / _{-0.005}	4.327 ^{+0.010} / _{+0.000}	4.497 ^{+0.006} / _{+0.000}	14.92

STYLE ST-XLF URETHANE WIPER RINGS

The ST-XLF wipers are designed to fit the standard ST wiper groove. These wipers include a dust lip to prevent contaminants from entering through the groove. They also have a ribbed inside diameter for low friction operation and to prevent pressure traps between the wiper and rod seal.

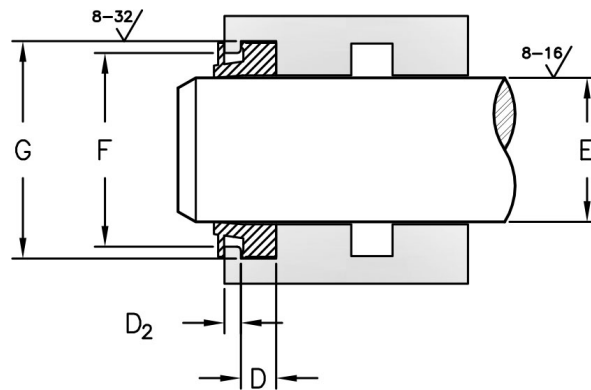


HERCULES PART NUMBERS

ST - 112 - XLF
 Prefix Size Extra Lip

SEAL INFORMATION

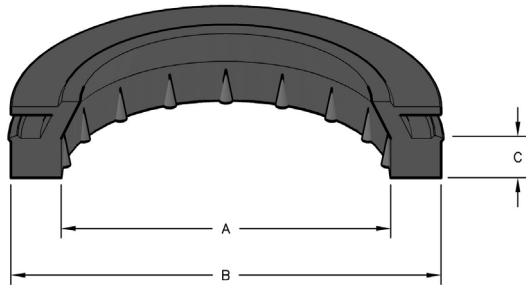
MATERIAL	URETHANE
TEMPERATURE RANGE	-50°F TO +230°F
SPEED	12 FT/SEC



Part Number	A Nom. ID	B Nom. OD	C Nom. Ht	D GROOVE WIDTH	E ROD DIAMETER	F THROAT DIAMETER	G HOUSING DIAMETER	D ₂ OUTER THROAT DEPTH	List Price
ST-112-XLF	1-1/8	1-1/2	.187	.187 ⁺⁰⁰⁴ / ₊₀₀₀	1.125 ⁻⁰⁰¹ / ₋₀₀₃	1.375 ±.005	1.500 ±.003	.094 ⁺⁰⁰⁴ / ₊₀₀₀	\$8.55
ST-125-XLF	1-1/4	1-5/8	.187	.187 ⁺⁰⁰⁴ / ₊₀₀₀	1.250 ⁻⁰⁰¹ / ₋₀₀₃	1.500 ±.005	1.625 ±.003	.094 ⁺⁰⁰⁴ / ₊₀₀₀	8.66
ST-137-XLF	1-3/8	1-3/4	.187	.187 ⁺⁰⁰⁴ / ₊₀₀₀	1.375 ⁻⁰⁰¹ / ₋₀₀₃	1.625 ±.005	1.750 ±.003	.094 ⁺⁰⁰⁴ / ₊₀₀₀	8.87
ST-150-XLF	1-1/2	1-7/8	.187	.187 ⁺⁰⁰⁴ / ₊₀₀₀	1.500 ⁻⁰⁰¹ / ₋₀₀₃	1.750 ±.005	1.875 ±.003	.094 ⁺⁰⁰⁴ / ₊₀₀₀	9.16
ST-175-XLF	1-3/4	2-1/8	.187	.187 ⁺⁰⁰⁴ / ₊₀₀₀	1.750 ⁻⁰⁰¹ / ₋₀₀₃	2.000 ±.005	2.125 ±.003	.094 ⁺⁰⁰⁴ / ₊₀₀₀	9.48
ST-200-XLF	2	2-1/2	1/4	.250 ⁺⁰⁰⁴ / ₊₀₀₀	2.000 ⁻⁰⁰¹ / ₋₀₀₄	2.332 ±.005	2.500 ±.003	.125 ⁺⁰⁰⁴ / ₊₀₀₀	10.76
ST-225-XLF	2-1/4	2-3/4	1/4	.250 ⁺⁰⁰⁴ / ₊₀₀₀	2.250 ⁻⁰⁰¹ / ₋₀₀₄	2.582 ±.005	2.750 ±.003	.125 ⁺⁰⁰⁴ / ₊₀₀₀	11.22
ST-250-XLF	2-1/2	3	1/4	.250 ⁺⁰⁰⁴ / ₊₀₀₀	2.500 ⁻⁰⁰¹ / ₋₀₀₄	2.832 ±.005	3.000 ±.003	.125 ⁺⁰⁰⁴ / ₊₀₀₀	11.76
ST-300-XLF	3	3-1/2	1/4	.250 ⁺⁰⁰⁴ / ₊₀₀₀	3.000 ⁻⁰⁰¹ / ₋₀₀₄	3.332 ±.005	3.500 ±.003	.125 ⁺⁰⁰⁴ / ₊₀₀₀	12.51
ST-350-XLF	3-1/2	4	1/4	.250 ⁺⁰⁰⁴ / ₊₀₀₀	3.500 ⁻⁰⁰¹ / ₋₀₀₅	3.832 ±.005	4.000 ±.003	.125 ⁺⁰⁰⁴ / ₊₀₀₀	13.24
ST-400-XLF	4	4-1/2	1/4	.250 ⁺⁰⁰⁴ / ₊₀₀₀	4.000 ⁻⁰⁰¹ / ₋₀₀₅	4.332 ±.005	4.500 ±.003	.125 ⁺⁰⁰⁴ / ₊₀₀₀	14.45
ST-450-XLF	4-1/2	5-1/4	3/8	.375 ⁺⁰⁰⁴ / ₊₀₀₀	4.500 ⁻⁰⁰¹ / ₋₀₀₅	4.832 ±.005	5.250 ±.003	.187 ⁺⁰⁰⁴ / ₊₀₀₀	16.24
ST-500-XLF	5	5-3/4	3/8	.375 ⁺⁰⁰⁴ / ₊₀₀₀	5.000 ⁻⁰⁰² / ₋₀₀₆	5.332 ±.005	5.750 ±.003	.187 ⁺⁰⁰⁴ / ₊₀₀₀	20.06
ST-600-XLF	6	6-3/4	3/8	.375 ⁺⁰⁰⁴ / ₊₀₀₀	6.000 ⁻⁰⁰² / ₋₀₀₆	6.498 ±.005	6.750 ±.003	.187 ⁺⁰⁰⁴ / ₊₀₀₀	24.20

STYLE ST-XLFT URETHANE WIPER RINGS

The ST-XLFT was developed for hard environments, particularly longwall mining. These wipers include a dust lip to prevent contaminants from entering through the groove. They also have a ribbed inside diameter for low friction operation and to prevent pressure traps between the wiper and rod seal.

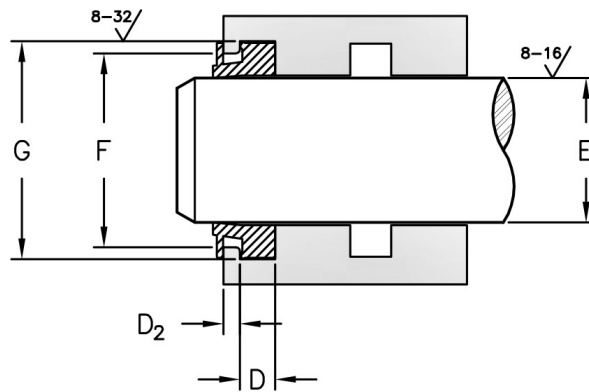


HERCULES PART NUMBERS

ST - 175 - XLFT
 Prefix Size Extra Lip

SEAL INFORMATION

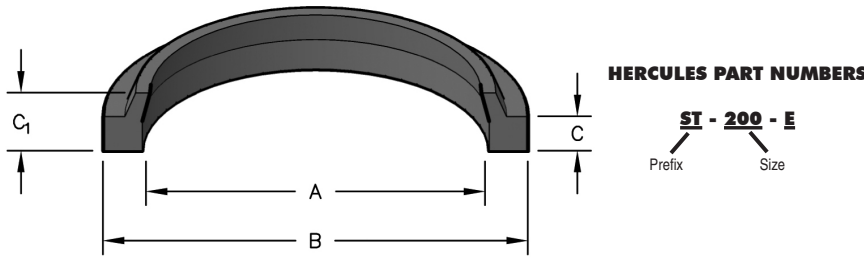
MATERIAL	93A URETHANE
TEMPERATURE RANGE	-50°F - +230°F
SPEED	12 FT/SEC



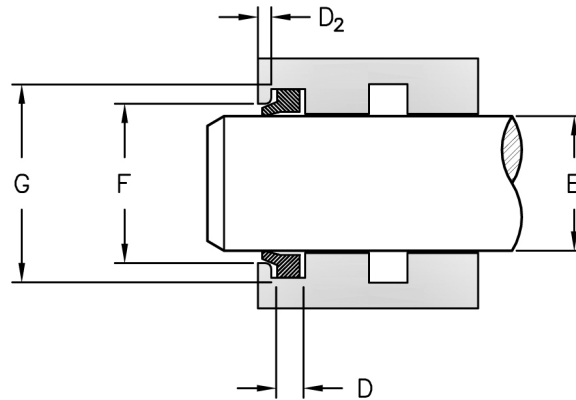
Part Number	A Nom. ID	B Nom. OD	C Nom. Ht	D GROOVE WIDTH	E ROD DIAMETER	F THROAT DIAMETER	G HOUSING DIAMETER	D ₂ OUTER THROAT DEPTH	List Price
ST-175-XLFT	1-3/4	2-1/8	.22	.220 ^{+0.008} / _{+0.000}	1.750 ^{-0.010} / _{-0.0034}	1.995 ^{+0.007} / _{+0.000}	2.125 ^{+0.007} / _{+0.000}	.079 ^{+0.004} / _{+0.000}	\$19.49
ST-200-XLFT	2	2-3/8	.22	.220 ^{+0.008} / _{+0.000}	2.000 ^{-0.012} / _{-0.0041}	2.245 ^{+0.008} / _{+0.000}	2.375 ^{+0.008} / _{+0.000}	.079 ^{+0.004} / _{+0.000}	19.29
ST-250-XLFT	2-1/2	2-7/8	.22	.220 ^{+0.008} / _{+0.000}	2.500 ^{-0.012} / _{-0.0041}	2.745 ^{+0.008} / _{+0.000}	2.875 ^{+0.008} / _{+0.000}	.079 ^{+0.004} / _{+0.000}	23.35
ST-300-XLFT	3	3-3/8	.22	.220 ^{+0.008} / _{+0.000}	3.000 ^{-0.012} / _{-0.0041}	3.245 ^{+0.009} / _{+0.000}	3.375 ^{+0.009} / _{+0.000}	.079 ^{+0.004} / _{+0.000}	25.79
ST-350-XLFT	3-1/2	3-7/8	.22	.220 ^{+0.008} / _{+0.000}	3.500 ^{-0.014} / _{-0.0048}	3.745 ^{+0.009} / _{+0.000}	3.875 ^{+0.009} / _{+0.000}	.079 ^{+0.004} / _{+0.000}	28.29
ST-362-XLFT	3-5/8	4	.22	.220 ^{+0.008} / _{+0.000}	3.625 ^{-0.014} / _{-0.0048}	3.870 ^{+0.009} / _{+0.000}	4.000 ^{+0.009} / _{+0.000}	.079 ^{+0.004} / _{+0.000}	31.94
ST-400-XLFT	4	4-3/8	.22	.220 ^{+0.008} / _{+0.000}	4.000 ^{-0.014} / _{-0.0048}	4.245 ^{+0.009} / _{+0.000}	4.375 ^{+0.009} / _{+0.000}	.079 ^{+0.004} / _{+0.000}	30.61
ST-500-XLFT	5	5-1/2	5/16	.312 ^{+0.008} / _{+0.000}	5.000 ^{-0.017} / _{-0.0056}	5.340 ^{+0.010} / _{+0.000}	5.500 ^{+0.010} / _{+0.000}	.080 ^{+0.004} / _{+0.000}	40.01
ST-525-XLFT	5-1/4	5-3/4	5/16	.312 ^{+0.008} / _{+0.000}	5.250 ^{-0.017} / _{-0.0056}	5.590 ^{+0.010} / _{+0.000}	5.750 ^{+0.010} / _{+0.000}	.080 ^{+0.004} / _{+0.000}	42.25
ST-600-XLFT	6	6-1/2	5/16	.312 ^{+0.008} / _{+0.000}	6.000 ^{-0.017} / _{-0.0056}	6.340 ^{+0.010} / _{+0.000}	6.500 ^{+0.010} / _{+0.000}	.080 ^{+0.004} / _{+0.000}	46.81
ST-700-XLFT	7	7-1/2	5/16	.312 ^{+0.008} / _{+0.000}	7.000 ^{-0.017} / _{-0.0056}	7.340 ^{+0.011} / _{+0.000}	7.500 ^{+0.011} / _{+0.000}	.080 ^{+0.004} / _{+0.000}	55.23
ST-703-XLFT	7	7-3/4	1/2	.500 ^{+0.008} / _{+0.000}	7.000 ^{-0.017} / _{-0.0056}	7.495 ^{+0.011} / _{+0.000}	7.750 ^{+0.011} / _{+0.000}	.100 ^{+0.004} / _{+0.000}	86.55
ST-800-XLFT	8	8-1/2	5/16	.312 ^{+0.008} / _{+0.000}	8.000 ^{-0.020} / _{-0.0065}	8.340 ^{+0.011} / _{+0.000}	8.500 ^{+0.011} / _{+0.000}	.080 ^{+0.004} / _{+0.000}	59.54

STYLE ST-E WIPER RINGS

Style ST-E is a light to medium duty urethane wiper ring with a square shoulder, similar to our standard ST style wipers but with different dimensions.



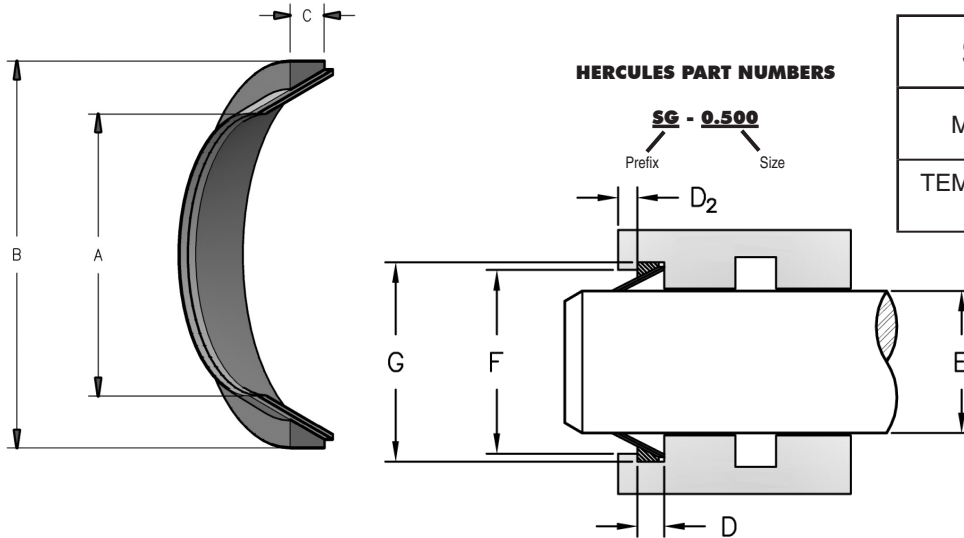
SEAL INFORMATION	
MATERIAL	URETHANE
TEMPERATURE RANGE	-31° TO +212° F
SPEED	3 FT/SEC



Part Number	A Nom. ID	B Nom. OD	C Nom. Ht	C ₁ OVERALL HEIGHT	D GROOVE WIDTH	E ROD DIAMETER	F THROAT DIAMETER	G HOUSING DIAMETER	D ₂ OUTER THROAT DEPTH	List Price
ST-200-E	2	2.46	3/16	.3125	.187 ^{+0.004} / _{+0.000}	2.000 ^{-0.0012} / _{-0.0041}	2.230 ^{+0.008} / _{+0.000}	2.460 ^{+0.008} / _{+0.000}	.250	\$43.24
ST-275-E	2-3/4	3-3/16	3/16	.3125	.187 ^{+0.004} / _{+0.000}	2.750 ^{-0.0012} / _{-0.0041}	2.980 ^{+0.008} / _{+0.000}	3.1875 ^{+0.008} / _{+0.000}	.250	16.57
ST-300-E	3	3-1/2	3/16	.3125	.187 ^{+0.004} / _{+0.000}	3.000 ^{-0.0012} / _{-0.0041}	3.278 ^{+0.008} / _{+0.000}	3.500 ^{+0.008} / _{+0.000}	.3125	21.21
ST-350-E	3-1/2	4-1/16	3/16	.3125	.187 ^{+0.004} / _{+0.000}	3.500 ^{-0.0014} / _{-0.0048}	3.850 ^{+0.008} / _{+0.000}	4.0625 ^{+0.008} / _{+0.000}	.395	22.53
ST-362-E	3-5/8	4-3/16	3/16	.3125	.187 ^{+0.004} / _{+0.000}	3.625 ^{-0.0014} / _{-0.0048}	3.950 ^{+0.008} / _{+0.000}	4.1875 ^{+0.008} / _{+0.000}	.375	23.51
ST-437-E	4-3/8	4.9	3/16	.3125	.187 ^{+0.004} / _{+0.000}	4.375 ^{-0.0014} / _{-0.0048}	4.697 ^{+0.008} / _{+0.000}	4.900 ^{+0.008} / _{+0.000}	.346	25.01
ST-525-E	5-1/4	5.84	3/16	.3125	.187 ^{+0.004} / _{+0.000}	5.250 ^{-0.0017} / _{-0.0056}	5.602 ^{+0.008} / _{+0.000}	5.840 ^{+0.008} / _{+0.000}	.407	28.16
ST-631-E	6-5/16	6.9	3/16	.3125	.187 ^{+0.004} / _{+0.000}	6.312 ^{-0.0017} / _{-0.0056}	6.665 ^{+0.008} / _{+0.000}	6.900 ^{+0.008} / _{+0.000}	.407	33.30
ST-731-E	7-5/16	7.9	3/16	.3125	.187 ^{+0.004} / _{+0.000}	7.312 ^{-0.0020} / _{-0.0065}	7.665 ^{+0.008} / _{+0.000}	7.900 ^{+0.008} / _{+0.000}	.407	36.61

STYLE SG - "SEAL GUARD" METALLIC ROD WIPERS

WIPER RINGS

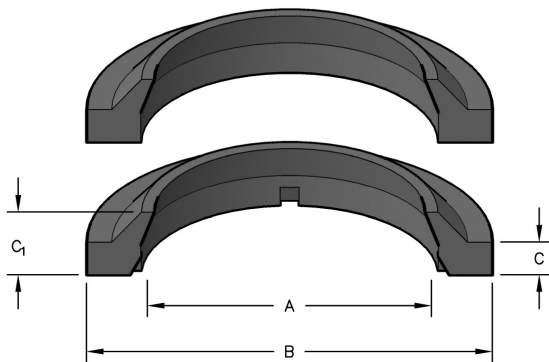


SEAL INFORMATION	
MATERIAL	660 BRONZE 70A NITRILE
TEMPERATURE RANGE	-40° TO +240° F

Part Number	A Nom. ID	B Nom. OD	C Nom. Ht	D GROOVE WIDTH	E ROD DIAMETER	F THROAT DIAMETER	G HOUSING DIAMETER	D ₂ OUTER THROAT DEPTH	List Price
SG-0.500	1/2	3/4	1/8	.124 ^{+0.04} / _{+0.00}	.500 ^{+0.01} / _{-.002}	.704 ^{+0.00} / _{-.010}	.747 ^{+0.06} / _{+0.00}	.018 ^{+0.015} / _{+0.00}	\$21.98
SG-0.625	5/8	7/8	1/8	.124 ^{+0.04} / _{+0.00}	.625 ^{+0.01} / _{-.002}	.829 ^{+0.00} / _{-.010}	.872 ^{+0.06} / _{+0.00}	.018 ^{+0.015} / _{+0.00}	26.12
SG-0.750	3/4	1-1/8	3/16	.187 ^{+0.04} / _{+0.00}	.750 ^{+0.01} / _{-.002}	1.072 ^{+0.00} / _{-.010}	1.122 ^{+0.06} / _{+0.00}	.022 ^{+0.015} / _{+0.00}	22.39
SG-0.875	7/8	1-1/4	3/16	.187 ^{+0.04} / _{+0.00}	.875 ^{+0.01} / _{-.002}	1.197 ^{+0.00} / _{-.010}	1.247 ^{+0.06} / _{+0.00}	.022 ^{+0.015} / _{+0.00}	23.32
SG-1.000	1	1-3/8	3/16	.187 ^{+0.04} / _{+0.00}	1.000 ^{+0.01} / _{-.002}	1.322 ^{+0.00} / _{-.010}	1.372 ^{+0.06} / _{+0.00}	.022 ^{+0.015} / _{+0.00}	24.49
SG-1.125	1-1/8	1-1/2	3/16	.187 ^{+0.04} / _{+0.00}	1.125 ^{+0.01} / _{-.002}	1.447 ^{+0.00} / _{-.010}	1.497 ^{+0.06} / _{+0.00}	.022 ^{+0.015} / _{+0.00}	27.51
SG-1.250	1-1/4	1-5/8	3/16	.187 ^{+0.04} / _{+0.00}	1.250 ^{+0.01} / _{-.002}	1.572 ^{+0.00} / _{-.010}	1.622 ^{+0.06} / _{+0.00}	.022 ^{+0.015} / _{+0.00}	30.54
SG-1.375	1-3/8	1-3/4	3/16	.187 ^{+0.04} / _{+0.00}	1.375 ^{+0.01} / _{-.002}	1.697 ^{+0.00} / _{-.010}	1.747 ^{+0.06} / _{+0.00}	.022 ^{+0.015} / _{+0.00}	33.56
SG-1.500	1-1/2	1-7/8	3/16	.187 ^{+0.04} / _{+0.00}	1.500 ^{+0.01} / _{-.002}	1.822 ^{+0.00} / _{-.010}	1.872 ^{+0.06} / _{+0.00}	.022 ^{+0.015} / _{+0.00}	36.67
SG-1.625	1-5/8	2	3/16	.187 ^{+0.04} / _{+0.00}	1.625 ^{+0.01} / _{-.002}	1.947 ^{+0.00} / _{-.010}	1.997 ^{+0.06} / _{+0.00}	.022 ^{+0.015} / _{+0.00}	41.63
SG-1.750	1-3/4	2-1/8	3/16	.187 ^{+0.04} / _{+0.00}	1.750 ^{+0.01} / _{-.002}	2.072 ^{+0.00} / _{-.010}	2.122 ^{+0.06} / _{+0.00}	.022 ^{+0.015} / _{+0.00}	42.68
SG-2.000	2	2-1/2	1/4	.249 ^{+0.04} / _{+0.00}	2.000 ^{+0.01} / _{-.002}	2.430 ^{+0.00} / _{-.010}	2.497 ^{+0.06} / _{+0.00}	.030 ^{+0.015} / _{+0.00}	49.81
SG-2.250	2-1/4	2-3/4	1/4	.249 ^{+0.04} / _{+0.00}	2.250 ^{+0.01} / _{-.002}	2.680 ^{+0.00} / _{-.010}	2.747 ^{+0.06} / _{+0.00}	.030 ^{+0.015} / _{+0.00}	55.81
SG-2.500	2-1/2	3	1/4	.249 ^{+0.04} / _{+0.00}	2.500 ^{+0.01} / _{-.002}	2.930 ^{+0.00} / _{-.010}	2.997 ^{+0.06} / _{+0.00}	.030 ^{+0.015} / _{+0.00}	61.97
SG-3.000	3	3-1/2	1/4	.249 ^{+0.04} / _{+0.00}	3.000 ^{+0.01} / _{-.002}	3.430 ^{+0.00} / _{-.010}	3.497 ^{+0.06} / _{+0.00}	.030 ^{+0.015} / _{+0.00}	74.97
SG-3.500	3-1/2	4	1/4	.249 ^{+0.04} / _{+0.00}	3.500 ^{+0.01} / _{-.002}	3.930 ^{+0.00} / _{-.010}	3.997 ^{+0.06} / _{+0.00}	.030 ^{+0.015} / _{+0.00}	125.01
SG-4.000	4	4-1/2	1/4	.249 ^{+0.04} / _{+0.00}	4.000 ^{+0.01} / _{-.002}	4.430 ^{+0.00} / _{-.010}	4.497 ^{+0.06} / _{+0.00}	.030 ^{+0.015} / _{+0.00}	149.27

STYLE AN URETHANE WIPER RINGS

Suffix "SH" designates slotted heel design, "V" designates fluorocarbon material, and "B" designates carboxilated nitrile material.

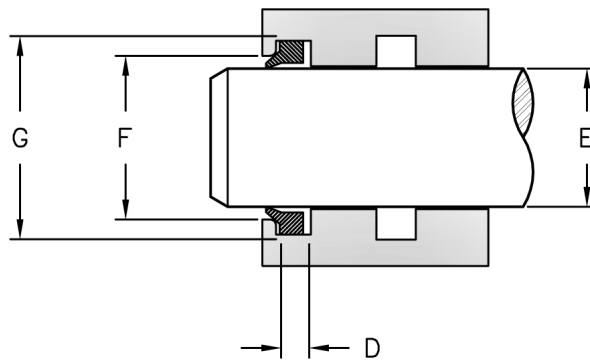


HERCULES PART NUMBERS

AN - 01
Prefix Size

SEAL INFORMATION

MATERIAL	90A URETHANE
TEMPERATURE RANGE	-40° TO +200° F
SPEED	3 FT/SEC



Part Number	A Nom. ID	B Nom. OD	C Nom. Ht	C ₁ OVERALL HEIGHT	D GROOVE WIDTH	E ROD DIAMETER	F THROAT DIAMETER	G HOUSING DIAMETER	th THICKNESS	List Price
AN-01	1/2	3/4	7/64	.187	.107 ±.003	.500 ^{+0.000} _{-.002}	.647 ^{+0.005} _{+.000}	.760 ^{+0.004} _{+.000}	.104	\$ 1.33
AN-01-SH	1/2	3/4	7/64	.187	.107 ±.003	.500 ^{+0.000} _{-.002}	.647 ^{+0.005} _{+.000}	.760 ^{+0.004} _{+.000}	.104	1.33
AN-02	9/16	13/16	7/64	.187	.107 ±.003	.562 ^{+0.000} _{-.002}	.710 ^{+0.005} _{+.000}	.823 ^{+0.004} _{+.000}	.104	1.33
AN-03	5/8	7/8	7/64	.187	.107 ±.003	.625 ^{+0.000} _{-.002}	.772 ^{+0.005} _{+.000}	.885 ^{+0.004} _{+.000}	.104	1.33
AN-03-SH	5/8	7/8	7/64	.187	.107 ±.003	.625 ^{+0.000} _{-.002}	.772 ^{+0.005} _{+.000}	.885 ^{+0.004} _{+.000}	.104	1.33
AN-04	11/16	15/16	7/64	.187	.107 ±.003	.687 ^{+0.000} _{-.002}	.834 ^{+0.005} _{+.000}	.948 ^{+0.004} _{+.000}	.104	1.33
AN-05	3/4	1	7/64	.187	.107 ±.003	.750 ^{+0.000} _{-.002}	.897 ^{+0.005} _{+.000}	1.010 ^{+0.004} _{+.000}	.104	1.33
AN-05-N	3/4	1	7/64	.187	.107 ±.003	.750 ^{+0.000} _{-.002}	.897 ^{+0.005} _{+.000}	1.010 ^{+0.004} _{+.000}	.104	3.78
AN-05-SH	3/4	1	7/64	.187	.107 ±.003	.750 ^{+0.000} _{-.002}	.897 ^{+0.005} _{+.000}	1.010 ^{+0.004} _{+.000}	.104	1.33
AN-05V	3/4	1	7/64	.187	.107 ±.003	.750 ^{+0.000} _{-.002}	.897 ^{+0.005} _{+.000}	1.010 ^{+0.004} _{+.000}	.104	11.58
AN-06	13/16	1-1/16	7/64	.187	.107 ±.003	.812 ^{+0.000} _{-.002}	.960 ^{+0.005} _{+.000}	1.084 ^{+0.004} _{+.000}	.104	1.42
AN-06-SH	13/16	1-1/16	7/64	.187	.107 ±.003	.812 ^{+0.000} _{-.002}	.960 ^{+0.005} _{+.000}	1.084 ^{+0.004} _{+.000}	.104	1.42
AN-07	7/8	1-1/8	7/64	.187	.107 ±.003	.875 ^{+0.000} _{-.002}	1.023 ^{+0.005} _{+.000}	1.147 ^{+0.004} _{+.000}	.104	1.42
AN-07-SH	7/8	1-1/8	7/64	.187	.107 ±.003	.875 ^{+0.000} _{-.002}	1.023 ^{+0.005} _{+.000}	1.147 ^{+0.004} _{+.000}	.104	1.42

STYLE AN URETHANE WIPER RINGS

WIPER RINGS

Part Number	A Nom. ID	B Nom. OD	C Nom. Ht	C ₁ OVERALL HEIGHT	D GROOVE WIDTH	E ROD DIAMETER	F THROAT DIAMETER	G HOUSING DIAMETER	th THICKNESS	List Price
AN-07A	7/8	1-1/8	7/64	.140	.107 ±.003	.875 ^{+0.00} _{-.002}	1.023 ^{+0.005} _{+0.000}	1.118 ^{+0.004} _{+0.000}	.104	2.84
AN-07A-T	7/8	1-1/8	7/64	.140	.107 ±.003	.875 ^{+0.00} _{-.002}	1.023 ^{+0.005} _{+0.000}	1.118 ^{+0.004} _{+0.000}	.104	17.02
AN-07-XL	7/8	1.147	.104	.187	.107 ^{+0.003} _{+0.000}	.875 ^{-0.0008} _{-.0028}	1.023 ^{+0.005} _{+0.000}	1.147 ^{+0.004} _{+0.000}	.104	1.42
AN-08	15/16	1-3/16	7/64	.187	.107 ±.003	.937 ^{+0.00} _{-.002}	1.085 ^{+0.005} _{+0.000}	1.209 ^{+0.004} _{+0.000}	.104	1.42
AN-09	1	1-1/4	7/64	.187	.107 ±.003	1.000 ^{+0.00} _{-.002}	1.148 ^{+0.005} _{+0.000}	1.272 ^{+0.004} _{+0.000}	.104	1.42
AN-09-SH	1	1-1/4	7/64	.187	.107 ±.003	1.000 ^{+0.00} _{-.002}	1.148 ^{+0.005} _{+0.000}	1.272 ^{+0.004} _{+0.000}	.104	1.42
AN-09B	1	1-1/4	7/64	.187	.107 ±.003	1.000 ^{+0.00} _{-.002}	.148 ^{+0.005} _{+0.000}	1.272 ^{+0.004} _{+0.000}	.104	3.90
AN-09V	1	1-1/4	7/64	.187	.107 ±.003	1.000 ^{+0.00} _{-.002}	1.148 ^{+0.005} _{+0.000}	1.272 ^{+0.004} _{+0.000}	.104	18.52
AN-10	1-1/16	1-5/16	7/64	.187	.107 ±.003	1.062 ^{+0.00} _{-.002}	1.210 ^{+0.005} _{+0.000}	1.334 ^{+0.004} _{+0.000}	.104	1.42
AN-11	1-1/8	1-3/8	7/64	.187	.107 ±.003	1.125 ^{+0.00} _{-.002}	1.273 ^{+0.005} _{+0.000}	1.397 ^{+0.004} _{+0.000}	.104	1.48
AN-11-SH	1-1/8	1-3/8	7/64	.187	.107 ±.003	1.125 ^{+0.00} _{-.002}	1.273 ^{+0.005} _{+0.000}	1.397 ^{+0.004} _{+0.000}	.104	1.48
AN-12	1-3/16	1-7/16	7/64	.187	.107 ±.003	1.187 ^{+0.00} _{-.002}	1.335 ^{+0.005} _{+0.000}	1.459 ^{+0.004} _{+0.000}	.104	1.48
AN-13B	1-1/4	1-1/2	.104	.150	.107 ±.003	1.250 ^{+0.00} _{-.002}	1.398 ^{+0.005} _{+0.000}	1.522 ^{+0.004} _{+0.000}	.104	8.60
AN-13	1-1/4	1-1/2	7/64	.187	.107 ±.003	1.250 ^{+0.00} _{-.002}	1.398 ^{+0.005} _{+0.000}	1.522 ^{+0.004} _{+0.000}	.104	1.53
AN-13-SH	1-1/4	1-1/2	7/64	.187	.107 ±.003	1.250 ^{+0.00} _{-.002}	1.398 ^{+0.005} _{+0.000}	1.522 ^{+0.004} _{+0.000}	.104	1.53
AN-13V	1-1/4	1-1/2	7/64	.187	.107 ±.003	1.250 ^{+0.00} _{-.002}	1.398 ^{+0.005} _{+0.000}	1.522 ^{+0.004} _{+0.000}	.104	13.36
AN-14	1-5/16	1-5/8	7/64	.187	.107 ±.003	1.312 ^{+0.00} _{-.002}	1.480 ^{+0.005} _{+0.000}	1.614 ^{+0.004} _{+0.000}	.104	1.53
AN-15	1-3/8	1-11/16	7/64	.187	.107 ±.003	1.375 ^{+0.00} _{-.002}	1.542 ^{+0.005} _{+0.000}	1.677 ^{+0.004} _{+0.000}	.104	2.04
AN-15-SH	1-3/8	1-11/16	7/64	.187	.107 ±.003	1.375 ^{+0.00} _{-.002}	1.542 ^{+0.005} _{+0.000}	1.677 ^{+0.004} _{+0.000}	.104	2.04
AN-15V	1-3/8	1-11/16	7/64	.187	.107 ±.003	1.375 ^{+0.00} _{-.002}	1.542 ^{+0.005} _{+0.000}	1.677 ^{+0.004} _{+0.000}	.104	19.79
AN-16	1-7/16	1-3/4	7/64	.187	.107 ±.003	1.437 ^{+0.00} _{-.002}	1.605 ^{+0.005} _{+0.000}	1.739 ^{+0.004} _{+0.000}	.104	2.26
AN-17A	1-1/2	1-3/4	7/64	.140	.107 ±.003	1.500 ^{+0.00} _{-.002}	1.668 ^{+0.005} _{+0.000}	1.738 ^{+0.005} _{+0.000}	.104	4.56
AN-17	1-1/2	1-13/16	7/64	.187	.107 ±.003	1.500 ^{+0.00} _{-.002}	1.668 ^{+0.005} _{+0.000}	1.802 ^{+0.004} _{+0.000}	.104	2.29
AN-17-SH	1-1/2	1-13/16	7/64	.187	.107 ±.003	1.500 ^{+0.00} _{-.002}	1.668 ^{+0.005} _{+0.000}	1.802 ^{+0.004} _{+0.000}	.104	2.29
AN-17V	1-1/2	1-13/16	7/64	.187	.107 ±.003	1.500 ^{+0.00} _{-.002}	1.668 ^{+0.005} _{+0.000}	1.802 ^{+0.004} _{+0.000}	.104	16.33
AN-18	1-5/8	1-15/16	7/64	.187	.107 ±.003	1.625 ^{+0.00} _{-.002}	1.793 ^{+0.005} _{+0.000}	1.927 ^{+0.004} _{+0.000}	.104	2.39
AN-18-SH	1-5/8	1-15/16	7/64	.187	.107 ±.003	1.625 ^{+0.00} _{-.002}	1.793 ^{+0.005} _{+0.000}	1.927 ^{+0.004} _{+0.000}	.104	2.39
AN-19-XL	1-3/4	2.052	.107	.187	.107 ^{+0.003} _{+0.000}	1.750 ^{-0.01} _{-.003}	1.918 ^{+0.005} _{+0.000}	2.052 ^{+0.004} _{+0.000}	.104	2.51
AN-19	1-3/4	2-1/16	7/64	.187	.107 ±.003	1.750 ^{+0.00} _{-.002}	1.918 ^{+0.005} _{+0.000}	2.052 ^{+0.004} _{+0.000}	.104	2.39
AN-19-SH	1-3/4	2-1/16	7/64	.187	.107 ±.003	1.750 ^{+0.00} _{-.002}	1.918 ^{+0.005} _{+0.000}	2.052 ^{+0.004} _{+0.000}	.104	2.39

STYLE AN URETHANE WIPER RINGS

WIPER RINGS

Part Number	A Nom. ID	B Nom. OD	C Nom. Ht	C ₁ OVERALL HEIGHT	D GROOVE WIDTH	E ROD DIAMETER	F THROAT DIAMETER	G HOUSING DIAMETER	th THICKNESS	List Price
AN-20	1-7/8	2-1/8	7/64	.187	.107 ±.003	1.875 ^{+0.00} _{-.002}	2.043 ^{+0.005} _{+0.000}	2.117 ^{+0.004} _{+0.000}	.104	2.44
AN-21	2	2-5/16	7/64	.187	.107 ±.003	2.000 ^{+0.00} _{-.002}	2.178 ^{+0.005} _{+0.000}	2.302 ^{+0.004} _{+0.000}	.104	2.44
AN-21-SH	2	2-5/16	7/64	.187	.107 ±.003	2.000 ^{+0.00} _{-.002}	2.178 ^{+0.005} _{+0.000}	2.302 ^{+0.004} _{+0.000}	.104	2.44
AN-21V	2	2-5/16	7/64	.187	.107 ±.003	2.000 ^{+0.00} _{-.002}	2.178 ^{+0.005} _{+0.000}	2.302 ^{+0.004} _{+0.000}	.104	20.56
AN-22	2-1/8	2-7/16	7/64	.187	.107 ±.003	2.125 ^{+0.00} _{-.003}	2.303 ^{+0.005} _{+0.000}	2.427 ^{+0.004} _{+0.000}	.104	2.50
AN-22-SH	2-1/8	2-7/16	7/64	.187	.107 ±.003	2.125 ^{+0.00} _{-.003}	2.303 ^{+0.005} _{+0.000}	2.427 ^{+0.004} _{+0.000}	.104	2.50
AN-23	2-1/4	2-9/16	7/64	.187	.107 ±.003	2.250 ^{+0.00} _{-.003}	2.428 ^{+0.005} _{+0.000}	2.552 ^{+0.004} _{+0.000}	.104	2.59
AN-23-SH	2-1/4	2-9/16	7/64	.187	.107 ±.003	2.250 ^{+0.00} _{-.003}	2.428 ^{+0.005} _{+0.000}	2.552 ^{+0.004} _{+0.000}	.104	2.59
AN-23B	2-1/4	2-9/16	7/64	.187	.107 ±.003	2.250 ^{+0.000} _{-.0029}	2.428 ^{+0.005} _{+0.000}	2.552 ^{+0.004} _{+0.000}	.104	14.28
AN-24	2-3/8	2-11/16	7/64	.187	.107 ±.003	2.375 ^{+0.00} _{-.003}	2.553 ^{+0.005} _{+0.000}	2.677 ^{+0.004} _{+0.000}	.104	2.68
AN-25	2-1/2	2-13/16	7/64	.187	.107 ±.003	2.500 ^{+0.00} _{-.003}	2.678 ^{+0.005} _{+0.000}	2.802 ^{+0.004} _{+0.000}	.104	2.93
AN-25-SH	2-1/2	2-13/16	7/64	.187	.107 ±.003	2.500 ^{+0.00} _{-.003}	2.678 ^{+0.005} _{+0.000}	2.802 ^{+0.004} _{+0.000}	.104	2.35
AN-25V	2-1/2	2-13/16	7/64	.187	.107 ±.003	2.500 ^{+0.00} _{-.003}	2.678 ^{+0.005} _{+0.000}	2.802 ^{+0.004} _{+0.000}	.104	18.54
AN-26	2-5/8	3	1/8	.211	.122 ±.003	2.625 ^{+0.00} _{-.003}	2.834 ^{+0.005} _{+0.000}	2.989 ^{+0.004} _{+0.000}	.119	3.00
AN-26-SH	2-5/8	3	1/8	.211	.122 ±.003	2.625 ^{+0.00} _{-.003}	2.834 ^{+0.005} _{+0.000}	2.989 ^{+0.004} _{+0.000}	.119	3.00
AN-27	2-3/4	3-1/8	1/8	.211	.122 ±.003	2.750 ^{+0.00} _{-.003}	2.959 ^{+0.005} _{+0.000}	3.114 ^{+0.004} _{+0.000}	.119	3.10
AN-27-SH	2-3/4	3-1/8	1/8	.211	.122 ±.003	2.750 ^{+0.00} _{-.003}	2.959 ^{+0.005} _{+0.000}	3.114 ^{+0.004} _{+0.000}	.119	3.10
AN-28	2-7/8	3-1/4	1/8	.211	.122 ±.003	2.875 ^{+0.00} _{-.003}	3.084 ^{+0.005} _{+0.000}	3.239 ^{+0.004} _{+0.000}	.119	3.61
AN-28-SH	2-7/8	3-1/4	1/8	.211	.122 ±.003	2.875 ^{+0.00} _{-.003}	3.084 ^{+0.005} _{+0.000}	3.239 ^{+0.004} _{+0.000}	.119	3.61
AN-29	3	3-3/8	1/8	.211	.122 ±.003	3.000 ^{+0.00} _{-.003}	3.209 ^{+0.005} _{+0.000}	3.364 ^{+0.004} _{+0.000}	.119	3.61
AN-29-SH	3	3-3/8	1/8	.211	.122 ±.003	3.000 ^{+0.00} _{-.003}	3.209 ^{+0.005} _{+0.000}	3.364 ^{+0.004} _{+0.000}	.119	3.61
AN-30	3-1/8	3-1/2	1/8	.211	.122 ±.003	3.125 ^{+0.00} _{-.003}	3.334 ^{+0.005} _{+0.000}	3.489 ^{+0.004} _{+0.000}	.119	3.61
AN-31	3-1/4	3-5/8	1/8	.211	.122 ±.003	3.250 ^{+0.00} _{-.003}	3.459 ^{+0.005} _{+0.000}	3.614 ^{+0.004} _{+0.000}	.119	4.24
AN-31-SH	3-1/4	3-5/8	1/8	.211	.122 ±.003	3.250 ^{+0.00} _{-.003}	3.459 ^{+0.005} _{+0.000}	3.614 ^{+0.004} _{+0.000}	.119	4.74
AN-32	3-3/8	3-3/4	1/8	.211	.122 ±.003	3.375 ^{+0.00} _{-.003}	3.584 ^{+0.005} _{+0.000}	3.739 ^{+0.004} _{+0.000}	.119	4.28
AN-33	3-1/2	3-7/8	1/8	.211	.122 ±.003	3.500 ^{+0.00} _{-.003}	3.709 ^{+0.005} _{+0.000}	3.864 ^{+0.004} _{+0.000}	.119	4.35
AN-33-SH	3-1/2	3-7/8	1/8	.211	.122 ±.003	3.500 ^{+0.00} _{-.003}	3.709 ^{+0.005} _{+0.000}	3.864 ^{+0.004} _{+0.000}	.119	4.35
AN-34	3-5/8	4	1/8	.211	.122 ±.003	3.625 ^{+0.00} _{-.003}	3.834 ^{+0.005} _{+0.000}	3.989 ^{+0.004} _{+0.000}	.119	4.42
AN-35	3-3/4	4-1/8	1/8	.211	.122 ±.003	3.750 ^{+0.00} _{-.003}	3.959 ^{+0.005} _{+0.000}	4.114 ^{+0.004} _{+0.000}	.119	4.60
AN-35-SH	3-3/4	4-1/8	1/8	.211	.122 ±.003	3.750 ^{+0.00} _{-.003}	3.959 ^{+0.005} _{+0.000}	4.114 ^{+0.004} _{+0.000}	.119	4.60

STYLE AN URETHANE WIPER RINGS

WIPER RINGS

Part Number	A Nom. ID	B Nom. OD	C Nom. Ht	C ₁ OVERALL HEIGHT	D GROOVE WIDTH	E ROD DIAMETER	F THROAT DIAMETER	G HOUSING DIAMETER	th THICKNESS	List Price
AN-36	3-7/8	4-1/4	1/8	.211	.122 ±.003	3.875 ^{+0.00} _{-.003}	4.084 ^{+0.005} _{+0.000}	4.239 ^{+0.004} _{+0.000}	.119	4.70
AN-37	4	4-7/16	9/64	.238	.138 ±.003	4.000 ^{+0.00} _{-.003}	4.240 ^{+0.005} _{+0.000}	4.427 ^{+0.004} _{+0.000}	.135	4.84
AN-37-SH	4	4-7/16	9/64	.238	.138 ±.003	4.000 ^{+0.00} _{-.003}	4.240 ^{+0.005} _{+0.000}	4.427 ^{+0.004} _{+0.000}	.135	4.84
AN-37V	4	4-7/16	9/64	.238	.138 ±.003	4.000 ^{+0.00} _{-.003}	4.240 ^{+0.005} _{+0.000}	4.427 ^{+0.004} _{+0.000}	.135	32.81
AN-38	4-1/8	4-9/16	9/64	.238	.138 ±.003	4.125 ^{+0.00} _{-.003}	4.365 ^{+0.005} _{+0.000}	4.552 ^{+0.004} _{+0.000}	.135	4.99
AN-39	4-1/4	4-11/16	9/64	.238	.138 ±.003	4.250 ^{+0.00} _{-.003}	4.490 ^{+0.005} _{+0.000}	4.677 ^{+0.004} _{+0.000}	.135	5.11
AN-40	4-3/8	4-3/8	9/64	.238	.138 ±.003	4.375 ^{+0.00} _{-.003}	4.615 ^{+0.005} _{+0.000}	4.372 ^{+0.004} _{+0.000}	.135	5.19
AN-41	4-1/2	4-15/16	9/64	.238	.138 ±.003	4.500 ^{+0.00} _{-.003}	4.740 ^{+0.005} _{+0.000}	4.927 ^{+0.004} _{+0.000}	.135	5.25
AN-41-SH	4-1/2	4-15/16	9/64	.238	.138 ±.003	4.500 ^{+0.00} _{-.003}	4.740 ^{+0.005} _{+0.000}	4.927 ^{+0.004} _{+0.000}	.135	7.33
AN-42	4-5/8	5-1/16	9/64	.238	.138 ±.003	4.625 ^{+0.00} _{-.003}	4.865 ^{+0.005} _{+0.000}	5.052 ^{+0.004} _{+0.000}	.135	5.29
AN-43	4-3/4	5-3/16	9/64	.238	.138 ±.003	4.750 ^{+0.00} _{-.003}	4.990 ^{+0.005} _{+0.000}	5.177 ^{+0.004} _{+0.000}	.135	5.46
AN-44	4-7/8	5-5/16	9/64	.238	.138 ±.003	4.875 ^{+0.00} _{-.003}	5.115 ^{+0.005} _{+0.000}	5.302 ^{+0.004} _{+0.000}	.135	5.58
AN-45	5	5-7/16	9/64	.238	.138 ±.003	5.000 ^{+0.00} _{-.003}	5.240 ^{+0.005} _{+0.000}	5.427 ^{+0.004} _{+0.000}	.135	6.44
AN-45-SH	5	5-7/16	9/64	.238	.138 ±.003	5.000 ^{+0.00} _{-.003}	5.240 ^{+0.005} _{+0.000}	5.427 ^{+0.004} _{+0.000}	.135	6.44
AN-46	5-1/8	5-9/16	9/64	.238	.138 ±.003	5.125 ^{+0.00} _{-.003}	5.365 ^{+0.005} _{+0.000}	5.552 ^{+0.004} _{+0.000}	.135	6.53
AN-47	5-1/4	5-11/16	9/64	.238	.138 ±.003	5.250 ^{+0.00} _{-.003}	5.490 ^{+0.005} _{+0.000}	5.677 ^{+0.004} _{+0.000}	.135	6.53
AN-48	5-3/8	5-13/16	9/64	.238	.138 ±.003	5.375 ^{+0.00} _{-.003}	5.615 ^{+0.005} _{+0.000}	5.802 ^{+0.004} _{+0.000}	.135	6.62
AN-49	5-1/2	5-15/16	9/64	.238	.138 ±.003	5.500 ^{+0.00} _{-.003}	5.740 ^{+0.005} _{+0.000}	5.927 ^{+0.004} _{+0.000}	.135	6.74
AN-50	5-5/8	6-1/8	5/32	.264	.154 ±.003	5.625 ^{+0.00} _{-.003}	5.896 ^{+0.005} _{+0.000}	6.114 ^{+0.004} _{+0.000}	.151	7.39
AN-51	5-3/4	6-1/4	5/32	.264	.154 ±.003	5.750 ^{+0.00} _{-.003}	6.022 ^{+0.005} _{+0.000}	6.239 ^{+0.004} _{+0.000}	.151	7.82
AN-52	5-7/8	6-3/8	5/32	.264	.154 ±.003	5.875 ^{+0.00} _{-.003}	6.146 ^{+0.005} _{+0.000}	6.364 ^{+0.004} _{+0.000}	.151	7.95
AN-53	6	6-1/2	5/32	.264	.154 ±.003	6.000 ^{+0.00} _{-.003}	6.272 ^{+0.005} _{+0.000}	6.489 ^{+0.004} _{+0.000}	.151	8.19
AN-54	6-1/4	6-3/4	5/32	.264	.154 ±.003	6.250 ^{+0.00} _{-.003}	6.522 ^{+0.005} _{+0.000}	6.739 ^{+0.004} _{+0.000}	.151	8.47
AN-55	6-1/2	7	5/32	.264	.154 ±.003	6.500 ^{+0.00} _{-.004}	6.772 ^{+0.005} _{+0.000}	6.989 ^{+0.005} _{+0.000}	.151	8.65
AN-56	6-3/4	7-1/4	5/32	.264	.154 ±.003	6.750 ^{+0.00} _{-.004}	7.022 ^{+0.005} _{+0.000}	7.239 ^{+0.005} _{+0.000}	.151	8.81
AN-57	7	7-1/2	5/32	.264	.154 ±.003	7.000 ^{+0.00} _{-.004}	7.272 ^{+0.005} _{+0.000}	7.489 ^{+0.005} _{+0.000}	.151	9.05
AN-58	7-1/4	7-3/4	5/32	.264	.154 ±.003	7.250 ^{+0.00} _{-.004}	7.522 ^{+0.005} _{+0.000}	7.739 ^{+0.005} _{+0.000}	.151	10.32
AN-59	7-1/2	8	5/32	.264	.154 ±.003	7.500 ^{+0.00} _{-.004}	7.772 ^{+0.005} _{+0.000}	7.989 ^{+0.005} _{+0.000}	.151	12.48
AN-60	7-3/4	8-1/4	5/32	.264	.154 ±.003	7.750 ^{+0.00} _{-.004}	8.022 ^{+0.005} _{+0.000}	8.239 ^{+0.005} _{+0.000}	.151	13.25
AN-61	8	8-1/2	5/32	.264	.154 ±.003	8.000 ^{+0.00} _{-.004}	8.272 ^{+0.005} _{+0.000}	8.489 ^{+0.005} _{+0.000}	.151	12.53

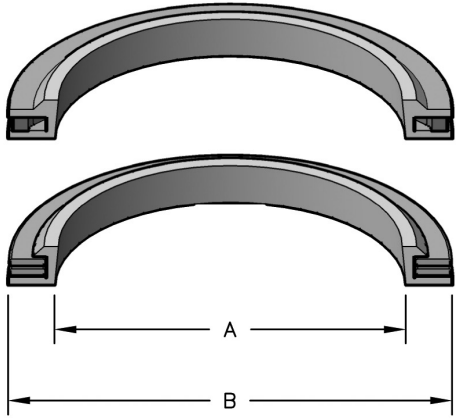
STYLE AN URETHANE WIPER RINGS

Part Number	A Nom. ID	B Nom. OD	C Nom. Ht	C ₁ OVERALL HEIGHT	D GROOVE WIDTH	E ROD DIAMETER	F THROAT DIAMETER	G HOUSING DIAMETER	th THICKNESS	List Price
AN-62	8-1/2	9	5/32	.264	.154 ±.003	8.500 ^{+0.000} _{-.004}	8.772 ^{+0.005} _{+0.000}	8.989 ^{+0.005} _{+0.000}	.151	12.53
AN-63	9	9-1/2	5/32	.264	.154 ±.003	9.000 ^{+0.000} _{-.005}	9.272 ^{+0.010} _{+0.000}	9.489 ^{+0.005} _{+0.000}	.151	14.95
AN-E9-1/4	9-1/4	9-3/4	5/32	.264	.154 ±.003	9.250 ^{+0.000} _{-.002}	9.522 ^{+0.005} _{+0.000}	9.739 ^{+0.004} _{+0.000}	.151	29.34
AN-64	9-1/2	10	5/32	.264	.154 ±.003	9.500 ^{+0.000} _{-.005}	9.772 ^{+0.010} _{+0.000}	9.989 ^{+0.005} _{+0.000}	.151	15.15
AN-65	10	10-1/2	5/32	.264	.154 ±.003	10.000 ^{+0.000} _{-.005}	10.272 ^{+0.010} _{+0.000}	10.489 ^{+0.005} _{+0.000}	.151	15.49
AN-66	10-1/2	11	5/32	.264	.154 ±.003	10.500 ^{+0.000} _{-.005}	10.772 ^{+0.010} _{+0.000}	10.989 ^{+0.005} _{+0.000}	.151	17.55
AN-67	11	11-1/2	5/32	.264	.154 ±.003	11.000 ^{+0.000} _{-.005}	11.272 ^{+0.010} _{+0.000}	11.489 ^{+0.005} _{+0.000}	.151	19.89
AN-69	12	12-1/2	11/64	.289	.169 ±.003	12.000 ^{+0.000} _{-.005}	12.272 ^{+0.010} _{+0.000}	12.489 ^{+0.005} _{+0.000}	.166	90.77

Seal color may vary. Special order sizes are available. Sizes not shown and out of stock items can also be ordered for next day delivery through Seals On Demand, our custom seal program. Please call your regional sales team for assistance.

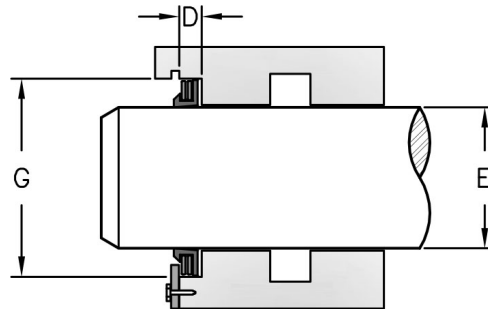
STYLE AN-M2 BRASS WIPER RINGS

Style AN-M2 scrapers conform to MS28776-M2 sizes and are manufactured in brass. The scrapers are suitable for extreme environments with aggressive contaminants. The unique spring-loaded construction and ductile material result in close rod contact even when coping with rod ovality and helix grinding patterns.



HERCULES PART NUMBERS

AN - 03 - M2
 Prefix Size



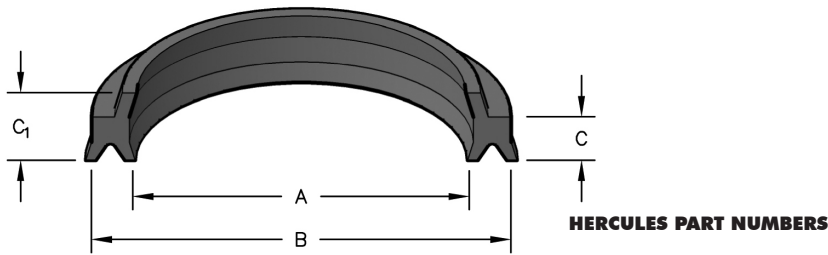
SEAL INFORMATION	
MATERIAL	BRASS
TEMPERATURE RANGE	-30° TO +300° F

WIPER RINGS

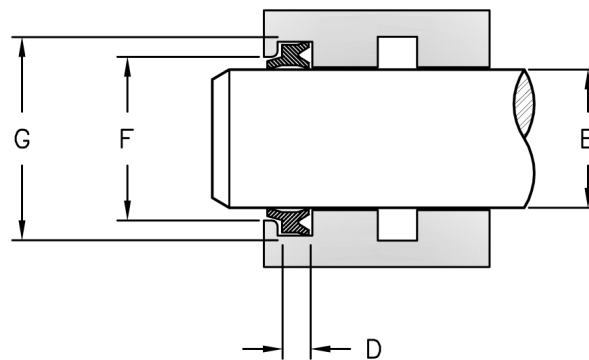
Part Number	A Nom. ID	B Nom. OD	C Nom. Ht	D GROOVE WIDTH	E ROD DIAMETER	G HOUSING DIAMETER	List Price
AN-03-M2	5/8	7/8	7/64	.104	.625	.885	\$19.24
AN-05-M2	3/4	1	7/64	.104	.750	1.010	19.32
AN-09-M2	1	1-7/32	7/64	.104	1.000	1.272	21.15
AN-13-M2	1-1/4	1-15/32	7/64	.104	1.250	1.522	23.63
AN-15-M2	1-3/8	1-21/32	7/64	.104	1.375	1.677	27.49
AN-17-M2	1-1/2	1-25/32	7/64	.104	1.500	1.802	28.08
AN-19-M2	1-3/4	2-1/32	7/64	.104	1.750	2.052	28.38
AN-21-M2	2	2-9/32	7/64	.104	2.000	2.302	32.03
AN-23-M2	2-1/4	2-17/32	7/64	.104	2.250	2.552	32.60
AN-25-M2	2-1/2	2-25/32	7/64	.104	2.500	2.802	39.57
AN-27-M2	2-3/4	3-3/32	1/8	.119	2.750	3.114	44.17
AN-29-M2	3	3-11/32	1/8	.119	3.000	3.364	48.28
AN-33-M2	3-1/2	3-27/32	1/8	.119	3.500	3.864	55.40
AN-37-M2	4	4-13/32	9/64	.135	4.000	4.427	71.91
AN-41-M2	4-1/2	4-29/32	9/64	.135	4.500	4.927	74.91
AN-45-M2	5	5-13/32	9/64	.135	5.000	5.427	84.47

STYLE HW URETHANE WIPER RINGS

Suffix "V" designates fluorocarbon material, "N" designates nitrile material, and "HT" designates high temperature urethane.



HW - 0500
Prefix Size



SEAL INFORMATION	
MATERIAL	90A URETHANE
TEMPERATURE RANGE	-40° TO +200° F N: -40° TO +225° F V: -20° TO +350° F HT: -40° TO +225° F
SPEED	3 FT/SEC

WIPER RINGS

Part Number	A Nom. ID	B Nom. OD	C Nom. Ht	C ₁ OVERALL HEIGHT	D GROOVE WIDTH	E ROD DIAMETER	F THROAT DIAMETER	G HOUSING DIAMETER	th THICKNESS	List Price
HW-0500	1/2	13/16	.194	.245	.203 ^{+0.05} / _{+0.00}	.500 ^{+0.00} / _{-0.002}	.620 ^{+0.002} / _{+0.000}	.802 ^{+0.002} / _{+0.000}	.194	\$3.34
HW-0500N	1/2	13/16	.194	.245	.203 ^{+0.05} / _{+0.00}	.500 ^{+0.00} / _{-0.002}	.620 ^{+0.002} / _{+0.000}	.802 ^{+0.002} / _{+0.000}	.194	3.11
HW-0500V	1/2	13/16	.194	.245	.203 ^{+0.05} / _{+0.00}	.500 ^{+0.00} / _{-0.002}	.620 ^{+0.002} / _{+0.000}	.802 ^{+0.002} / _{+0.000}	.194	11.90
HW-0625N	5/8	15/16	.189	.245	.198 ^{+0.05} / _{+0.00}	.625 ^{+0.00} / _{-0.002}	.745 ^{+0.002} / _{+0.000}	.927 ^{+0.002} / _{+0.000}	.189	3.71
HW-0625	5/8	15/16	.194	.245	.203 ^{+0.05} / _{+0.00}	.625 ^{+0.00} / _{-0.002}	.745 ^{+0.002} / _{+0.000}	.927 ^{+0.002} / _{+0.000}	.194	3.71
HW-0625-2N	5/8	15/16	.194	.311	.203 ^{+0.05} / _{+0.00}	.625 ^{+0.00} / _{-0.002}		.927 ^{+0.002} / _{+0.000}	.194	3.71
HW-0625V	5/8	15/16	.194	.245	.203 ^{+0.05} / _{+0.00}	.625 ^{+0.00} / _{-0.002}	.745 ^{+0.002} / _{+0.000}	.927 ^{+0.002} / _{+0.000}	.194	13.15
HW-0625-1	5/8	1	.194	.245	.203 ^{+0.05} / _{+0.00}	.625 ^{+0.00} / _{-0.002}		.990 ^{+0.002} / _{+0.000}	.194	15.29
HW-0625-1N	5/8	1	.194	.245	.203 ^{+0.05} / _{+0.00}	.625 ^{+0.00} / _{-0.002}		.990 ^{+0.002} / _{+0.000}	.194	3.71
HW-0750	3/4	1-1/16	.194	.245	.203 ^{+0.05} / _{+0.00}	.750 ^{+0.00} / _{-0.002}	.870 ^{+0.002} / _{+0.000}	1.052 ^{+0.002} / _{+0.000}	.194	3.71
HW-0750N	3/4	1-1/16	.194	.245	.203 ^{+0.05} / _{+0.00}	.750 ^{+0.00} / _{-0.002}	.870 ^{+0.002} / _{+0.000}	1.052 ^{+0.002} / _{+0.000}	.194	3.71
HW-0750V	3/4	1-1/16	.194	.245	.203 ^{+0.05} / _{+0.00}	.750 ^{+0.00} / _{-0.002}	.870 ^{+0.002} / _{+0.000}	1.052 ^{+0.002} / _{+0.000}	.194	11.54
HW-0875	7/8	1-1/4	.212	.275	.218 ^{+0.05} / _{+0.00}	.875 ^{+0.00} / _{-0.002}	1.010 ^{+0.002} / _{+0.000}	1.240 ^{+0.002} / _{+0.000}	.212	3.79
HW-0875N	7/8	1-1/4	.212	.275	.218 ^{+0.05} / _{+0.00}	.875 ^{+0.00} / _{-0.002}	1.010 ^{+0.002} / _{+0.000}	1.240 ^{+0.002} / _{+0.000}	.212	3.79
HW-0937	15/16	1-5/16	.212	.275	.218 ^{+0.05} / _{+0.00}	.937 ^{+0.00} / _{-0.002}	1.072 ^{+0.002} / _{+0.000}	1.302 ^{+0.002} / _{+0.000}	.212	8.05

STYLE HW URETHANE WIPER RINGS

WIPER RINGS

Part Number	A Nom. ID	B Nom. OD	C Nom. Ht	C ₁ OVERALL HEIGHT	D GROOVE WIDTH	E ROD DIAMETER	F THROAT DIAMETER	G HOUSING DIAMETER	th THICKNESS	List Price
HW-1000	1	1-3/8	.212	.275	.218 ^{+0.005} / _{+0.000}	1.000 ^{+0.000} / _{-0.002}	1.135 ^{+0.002} / _{+0.000}	1.365 ^{+0.002} / _{+0.000}	.212	3.85
HW-1000N	1	1-3/8	.212	.275	.218 ^{+0.005} / _{+0.000}	1.000 ^{+0.000} / _{-0.002}	1.135 ^{+0.002} / _{+0.000}	1.365 ^{+0.002} / _{+0.000}	.212	3.85
HW-1000U	1	1-3/8	.212	.275	.218 ^{+0.005} / _{+0.000}	1.000 ^{+0.000} / _{-0.002}	1.135 ^{+0.002} / _{+0.000}	1.365 ^{+0.002} / _{+0.000}	.212	3.09
HW-1000V	1	1-3/8	.212	.275	.218 ^{+0.005} / _{+0.000}	1.000 ^{+0.000} / _{-0.002}	1.135 ^{+0.002} / _{+0.000}	1.365 ^{+0.002} / _{+0.000}	.212	14.13
HW-1125	1-1/8	1-1/2	.212	.275	.218 ^{+0.005} / _{+0.000}	1.125 ^{+0.000} / _{-0.002}	1.260 ^{+0.002} / _{+0.000}	1.490 ^{+0.002} / _{+0.000}	.212	4.04
HW-1250	1-1/4	1-5/8	.212	.275	.218 ^{+0.005} / _{+0.000}	1.250 ^{+0.000} / _{-0.002}	1.385 ^{+0.002} / _{+0.000}	1.615 ^{+0.002} / _{+0.000}	.212	4.32
HW-1250N	1-1/4	1-5/8	.212	.275	.218 ^{+0.005} / _{+0.000}	1.250 ^{+0.000} / _{-0.002}	1.385 ^{+0.002} / _{+0.000}	1.615 ^{+0.002} / _{+0.000}	.212	4.32
HW-1375	1-3/8	1-3/4	.212	.275	.218 ^{+0.005} / _{+0.000}	1.375 ^{+0.000} / _{-0.002}	1.510 ^{+0.002} / _{+0.000}	1.740 ^{+0.002} / _{+0.000}	.212	4.66
HW-1375HT	1-3/8	1-3/4	.212	.275	.218 ^{+0.005} / _{+0.000}	1.375 ^{+0.000} / _{-0.002}	1.510 ^{+0.002} / _{+0.000}	1.740 ^{+0.002} / _{+0.000}	.212	8.64
HW-1375N	1-3/8	1-3/4	.212	.275	.218 ^{+0.005} / _{+0.000}	1.375 ^{+0.000} / _{-0.002}	1.510 ^{+0.002} / _{+0.000}	1.740 ^{+0.002} / _{+0.000}	.212	4.40
HW-1375V	1-3/8	1-3/4	.212	.275	.218 ^{+0.005} / _{+0.000}	1.375 ^{+0.000} / _{-0.002}	1.510 ^{+0.002} / _{+0.000}	1.740 ^{+0.002} / _{+0.000}	.212	25.83
HW-1500	1-1/2	1-7/8	.212	.275	.218 ^{+0.005} / _{+0.000}	1.500 ^{+0.000} / _{-0.002}	1.635 ^{+0.002} / _{+0.000}	1.865 ^{+0.002} / _{+0.000}	.212	4.96
HW-1500N	1-1/2	1-7/8	.212	.275	.218 ^{+0.005} / _{+0.000}	1.500 ^{+0.000} / _{-0.002}	1.635 ^{+0.002} / _{+0.000}	1.865 ^{+0.002} / _{+0.000}	.212	4.96
HW-1625	1-5/8	2	.212	.275	.218 ^{+0.005} / _{+0.000}	1.625 ^{+0.000} / _{-0.002}	1.760 ^{+0.002} / _{+0.000}	1.990 ^{+0.002} / _{+0.000}	.212	5.06
HW-1751	1-3/4	2-1/8	.168	.285	.174 ^{+0.005} / _{+0.000}	1.750 ^{+0.000} / _{-0.002}		2.115 ^{+0.002} / _{+0.000}	.168	10.86
HW-1750	1-3/4	2-1/8	.212	.275	.218 ^{+0.005} / _{+0.000}	1.750 ^{+0.000} / _{-0.002}	1.885 ^{+0.002} / _{+0.000}	2.115 ^{+0.002} / _{+0.000}	.212	5.29
HW-1750N	1-3/4	2-1/8	.212	.275	.218 ^{+0.005} / _{+0.000}	1.750 ^{+0.000} / _{-0.002}	1.885 ^{+0.002} / _{+0.000}	2.115 ^{+0.002} / _{+0.000}	.212	5.29
HW-1750V	1-3/4	2-1/8	.212	.275	.218 ^{+0.005} / _{+0.000}	1.750 ^{+0.000} / _{-0.002}	1.885 ^{+0.002} / _{+0.000}	2.115 ^{+0.002} / _{+0.000}	.212	38.62
HW-1875	1-7/8	2-1/4	.212	.275	.218 ^{+0.005} / _{+0.000}	1.875 ^{+0.000} / _{-0.002}	2.010 ^{+0.002} / _{+0.000}	2.240 ^{+0.002} / _{+0.000}	.212	5.78
HW-1875N	1-7/8	2-1/4	.212	.275	.218 ^{+0.005} / _{+0.000}	1.875 ^{+0.000} / _{-0.002}	2.010 ^{+0.002} / _{+0.000}	2.240 ^{+0.002} / _{+0.000}	.212	18.38
HW-2000	2	2-3/8	.212	.275	.218 ^{+0.005} / _{+0.000}	2.000 ^{+0.000} / _{-0.002}	2.135 ^{+0.002} / _{+0.000}	2.365 ^{+0.002} / _{+0.000}	.212	6.01
HW-2000N	2	2-3/8	.212	.275	.218 ^{+0.005} / _{+0.000}	2.000 ^{+0.000} / _{-0.002}	2.135 ^{+0.002} / _{+0.000}	2.365 ^{+0.002} / _{+0.000}	.212	6.01
HW-2000V	2	2-3/8	.212	.275	.218 ^{+0.005} / _{+0.000}	2.000 ^{+0.000} / _{-0.002}	2.135 ^{+0.002} / _{+0.000}	2.365 ^{+0.002} / _{+0.000}	.212	19.96
HW-2125N	2-1/8	2.49	.212		.218 ^{+0.005} / _{+0.000}	2.125 ^{+0.000} / _{-0.003}	2.260 ^{+0.363} / _{+0.000}	2.490 ^{+0.003} / _{+0.000}	.212	22.70
HW-2125	2-1/8	2-1/2	.212	.275	.218 ^{+0.005} / _{+0.000}	2.125 ^{+0.000} / _{-0.003}	2.260 ^{+0.003} / _{+0.000}	2.490 ^{+0.003} / _{+0.000}	.212	6.24
HW-2250	2-1/4	2-3/4	.275	.351	.281 ^{+0.005} / _{+0.000}	2.250 ^{+0.000} / _{-0.003}	2.385 ^{+0.003} / _{+0.000}	2.745 ^{+0.003} / _{+0.000}	.275	6.33
HW-2375N	2-3/8	2-7/8	.275	.351	.281 ^{+0.005} / _{+0.000}	2.375 ^{+0.000} / _{-0.003}	2.510 ^{+0.003} / _{+0.000}	2.870 ^{+0.003} / _{+0.000}	.275	5.64
HW-2500	2-1/2	3	.275	.351	.281 ^{+0.005} / _{+0.000}	2.500 ^{+0.000} / _{-0.003}	2.635 ^{+0.003} / _{+0.000}	2.995 ^{+0.003} / _{+0.000}	.275	6.67
HW-2500N	2-1/2	3	.275	.351	.281 ^{+0.005} / _{+0.000}	2.500 ^{+0.000} / _{-0.003}	2.635 ^{+0.003} / _{+0.000}	2.995 ^{+0.003} / _{+0.000}	.275	5.27
HW-2500V	2-1/2	3	.275	.351	.281 ^{+0.005} / _{+0.000}	2.500 ^{+0.000} / _{-0.003}	2.635 ^{+0.003} / _{+0.000}	2.995 ^{+0.003} / _{+0.000}	.275	22.12

STYLE HW URETHANE WIPER RINGS

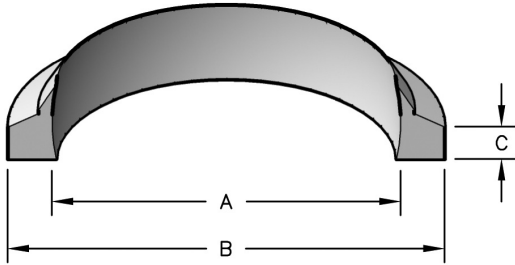
WIPER RINGS

Part Number	A Nom. ID	B Nom. OD	C Nom. Ht	C ₁ OVERALL HEIGHT	D GROOVE WIDTH	E ROD DIAMETER	F THROAT DIAMETER	G HOUSING DIAMETER	th THICKNESS	List Price
HW-2625	2-5/8	3-1/8	.275	.351	.281 ^{+0.005} / _{+0.000}	2.625 ^{+0.000} / _{-.003}	2.760 ^{+0.003} / _{+0.000}	3.120 ^{+0.003} / _{+0.000}	.275	7.08
HW-2750N	2-3/4	3.245	.275	.351	.281 ^{+0.005} / _{+0.000}	2.750 ^{+0.000} / _{-.003}	2.885 ^{+0.003} / _{+0.000}	3.245 ^{+0.003} / _{+0.000}	.275	22.44
HW-2750	2-3/4	3-1/4	.275	.351	.281 ^{+0.005} / _{+0.000}	2.750 ^{+0.000} / _{-.003}	2.885 ^{+0.003} / _{+0.000}	3.245 ^{+0.003} / _{+0.000}	.275	7.61
HW-3000	3	3-1/2	.275	.351	.281 ^{+0.005} / _{+0.000}	3.000 ^{+0.000} / _{-.003}	3.135 ^{+0.003} / _{+0.000}	3.495 ^{+0.003} / _{+0.000}	.275	8.53
HW-3000N	3	3-1/2	.275	.351	.281 ^{+0.005} / _{+0.000}	3.000 ^{+0.000} / _{-.003}	3.135 ^{+0.003} / _{+0.000}	3.495 ^{+0.003} / _{+0.000}	.275	8.53
HW-3000V	3	3-1/2	.275	.351	.281 ^{+0.005} / _{+0.000}	3.000 ^{+0.000} / _{-.003}	3.135 ^{+0.003} / _{+0.000}	3.495 ^{+0.003} / _{+0.000}	.275	28.06
HW-3250	3-1/4	3-3/4	.275	.351	.281 ^{+0.005} / _{+0.000}	3.250 ^{+0.000} / _{-.003}	3.385 ^{+0.003} / _{+0.000}	3.745 ^{+0.003} / _{+0.000}	.275	9.65
HW-3500	3-1/2	4	.275	.351	.281 ^{+0.005} / _{+0.000}	3.500 ^{+0.000} / _{-.003}	3.635 ^{+0.003} / _{+0.000}	3.995 ^{+0.003} / _{+0.000}	.275	10.12
HW-3500N	3-1/2	4	.275	.351	.281 ^{+0.005} / _{+0.000}	3.500 ^{+0.000} / _{-.003}	3.635 ^{+0.003} / _{+0.000}	3.995 ^{+0.003} / _{+0.000}	.275	10.21
HW-3500V	3-1/2	4	.275	.351	.281 ^{+0.005} / _{+0.000}	3.500 ^{+0.000} / _{-.003}	3.635 ^{+0.003} / _{+0.000}	3.995 ^{+0.003} / _{+0.000}	.275	35.39
HW-3750	3-3/4	4-1/4	.275	.351	.281 ^{+0.005} / _{+0.000}	3.750 ^{+0.000} / _{-.003}	3.885 ^{+0.003} / _{+0.000}	4.245 ^{+0.003} / _{+0.000}	.275	20.73
HW-4000	4	4-1/2	.275	.351	.281 ^{+0.005} / _{+0.000}	4.000 ^{+0.000} / _{-.003}	4.135 ^{+0.003} / _{+0.000}	4.495 ^{+0.003} / _{+0.000}	.275	11.18
HW-4000N	4	4-1/2	.275	.351	.281 ^{+0.005} / _{+0.000}	4.000 ^{+0.000} / _{-.003}	4.135 ^{+0.003} / _{+0.000}	4.495 ^{+0.003} / _{+0.000}	.275	11.21
HW-4000V	4	4-1/2	.275	.351	.281 ^{+0.005} / _{+0.000}	4.000 ^{+0.000} / _{-.003}	4.135 ^{+0.003} / _{+0.000}	4.495 ^{+0.003} / _{+0.000}	.275	39.10
HW-4250	4-1/4	4-3/4	.275	.351	.281 ^{+0.005} / _{+0.000}	4.250 ^{+0.000} / _{-.003}	4.385 ^{+0.003} / _{+0.000}	4.745 ^{+0.003} / _{+0.000}	.275	17.30
HW-4430	4-7/16	4-15/16	.275	.351	.281 ^{+0.005} / _{+0.000}	4.437 ^{+0.000} / _{-.003}		4.932 ^{+0.003} / _{+0.000}	.275	23.73
HW-4500	4-1/2	5	.275	.351	.281 ^{+0.005} / _{+0.000}	4.500 ^{+0.000} / _{-.003}	4.635 ^{+0.003} / _{+0.000}	4.995 ^{+0.003} / _{+0.000}	.275	12.43
HW-4500N	4-1/2	5	.275	.351	.281 ^{+0.005} / _{+0.000}	4.500 ^{+0.000} / _{-.003}	4.635 ^{+0.003} / _{+0.000}	4.995 ^{+0.003} / _{+0.000}	.275	9.03
HW-4500V	4-1/2	5	.275	.351	.281 ^{+0.005} / _{+0.000}	4.500 ^{+0.000} / _{-.003}	4.635 ^{+0.003} / _{+0.000}	4.995 ^{+0.003} / _{+0.000}	.275	40.17
HW-4750	4-3/4	5-1/4	.275	.351	.281 ^{+0.005} / _{+0.000}	4.750 ^{+0.000} / _{-.003}	4.885 ^{+0.003} / _{+0.000}	5.245 ^{+0.003} / _{+0.000}	.275	29.45
HW-5000	5	5-1/2	.275	.351	.281 ^{+0.005} / _{+0.000}	5.000 ^{+0.000} / _{-.003}	5.135 ^{+0.003} / _{+0.000}	5.495 ^{+0.003} / _{+0.000}	.275	14.70
HW-5000N	5	5-1/2	.275	.351	.281 ^{+0.005} / _{+0.000}	5.000 ^{+0.000} / _{-.003}	5.135 ^{+0.003} / _{+0.000}	5.495 ^{+0.003} / _{+0.000}	.275	11.85
HW-5000V	5	5-1/2	.275	.351	.281 ^{+0.005} / _{+0.000}	5.000 ^{+0.000} / _{-.003}	5.135 ^{+0.003} / _{+0.000}	5.495 ^{+0.003} / _{+0.000}	.275	42.43
HW-5500	5-1/2	6	.275	.351	.281 ^{+0.005} / _{+0.000}	5.500 ^{+0.000} / _{-.003}	5.635 ^{+0.003} / _{+0.000}	5.995 ^{+0.003} / _{+0.000}	.275	20.42
HW-5500N	5-1/2	6	.275	.351	.281 ^{+0.005} / _{+0.000}	5.500 ^{+0.000} / _{-.003}	5.635 ^{+0.003} / _{+0.000}	5.995 ^{+0.003} / _{+0.000}	.275	10.25
HW-5500V	5-1/2	6	.275	.351	.281 ^{+0.005} / _{+0.000}	5.500 ^{+0.000} / _{-.003}	5.635 ^{+0.003} / _{+0.000}	5.995 ^{+0.003} / _{+0.000}	.275	46.46
HW-6000N	6	6-1/2	.275	.351	.281 ^{+0.005} / _{+0.000}	6.000 ^{+0.000} / _{-.003}	6.135 ^{+0.003} / _{+0.000}	6.495 ^{+0.003} / _{+0.000}	.275	12.57
HW-6000V	6	6-1/2	.275	.351	.281 ^{+0.005} / _{+0.000}	6.000 ^{+0.000} / _{-.003}	6.135 ^{+0.003} / _{+0.000}	6.495 ^{+0.003} / _{+0.000}	.275	50.49
HW-7000	7	7-1/2	.275	.351	.281 ^{+0.005} / _{+0.000}	7.000 ^{+0.000} / _{-.004}	7.135 ^{+0.003} / _{+0.000}	7.495 ^{+0.003} / _{+0.000}	.275	26.41
HW-7000N	7	7-1/2	.275	.351	.281 ^{+0.005} / _{+0.000}	7.000 ^{+0.000} / _{-.004}	7.135 ^{+0.003} / _{+0.000}	7.495 ^{+0.003} / _{+0.000}	.275	26.49

STYLE HW URETHANE WIPER RINGS

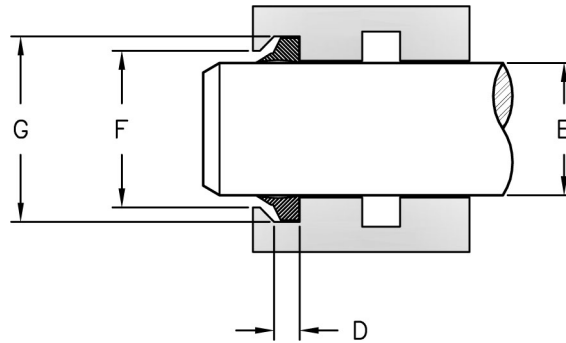
Part Number	A Nom. ID	B Nom. OD	C Nom. Ht	C ₁ OVERALL HEIGHT	D GROOVE WIDTH	E ROD DIAMETER	F THROAT DIAMETER	G HOUSING DIAMETER	th THICKNESS	List Price
HW-7000V	7	7-1/2	.275	.351	.281 ^{+0.005} / _{+0.000}	7.000 ^{+0.000} / _{-.004}	7.135 ^{+0.003} / _{+0.000}	7.495 ^{+0.003} / _{+0.000}	.275	55.65
HW-8000	8	8-1/2	.275	.351	.281 ^{+0.005} / _{+0.000}	8.000 ^{+0.000} / _{-.004}	8.135 ^{+0.003} / _{+0.000}	8.495 ^{+0.003} / _{+0.000}	.275	46.14

STYLE BT URETHANE WIPER RINGS



HERCULES PART NUMBERS

BT 01050
Prefix Size



SEAL INFORMATION	
MATERIAL	90A URETHANE
TEMPERATURE RANGE	-40° TO +200° F
SPEED	3 FT/SEC

WIPER RINGS

Part Number	A Nom. ID	B Nom. OD	C Nom. Ht	D GROOVE WIDTH	E ROD DIAMETER	F THROAT DIAMETER	G HOUSING DIAMETER	List Price
BT01050	5/8	7/8	5/32	.176 ^{+0.005} / _{+0.000}	.625	.781 ^{+0.005} / _{+0.000}	.885 ^{+0.005} / _{+0.000}	\$3.13
BT01260	3/4	1-1/8	3/16	.195 ^{+0.005} / _{+0.000}	.750	.860 ^{+0.005} / _{+0.000}	1.135 ^{+0.005} / _{+0.000}	3.13
BT01460	7/8	1-1/4	3/16	.195 ^{+0.005} / _{+0.000}	.875	.985 ^{+0.005} / _{+0.000}	1.260 ^{+0.005} / _{+0.000}	3.13
BT11580	15/16	2-7/16	1/4	.255 ^{+0.005} / _{+0.000}	.937	2.090 ^{+0.005} / _{+0.000}	2.447 ^{+0.005} / _{+0.000}	3.90
BT10060	1	1-3/8	3/16	.195 ^{+0.005} / _{+0.000}	1.000	1.110 ^{+0.005} / _{+0.000}	1.385 ^{+0.005} / _{+0.000}	3.44
BT10260	1-1/8	1-1/2	3/16	.195 ^{+0.005} / _{+0.000}	1.125	1.235 ^{+0.005} / _{+0.000}	1.510 ^{+0.005} / _{+0.000}	3.47
BT10460	1-1/4	1-5/8	3/16	.195 ^{+0.005} / _{+0.000}	1.250	1.360 ^{+0.005} / _{+0.000}	1.635 ^{+0.005} / _{+0.000}	3.47
BT10660	1-3/8	1-3/4	3/16	.195 ^{+0.005} / _{+0.000}	1.375	1.485 ^{+0.005} / _{+0.000}	1.760 ^{+0.005} / _{+0.000}	3.49
BT10860	1-1/2	1-7/8	3/16	.195 ^{+0.005} / _{+0.000}	1.500	1.610 ^{+0.005} / _{+0.000}	1.885 ^{+0.005} / _{+0.000}	3.61
BT11260	1-3/4	2-1/8	3/16	.195 ^{+0.005} / _{+0.000}	1.750	1.860 ^{+0.005} / _{+0.000}	2.135 ^{+0.005} / _{+0.000}	3.75
BT20060	2	2-3/8	3/16	.195 ^{+0.005} / _{+0.000}	2.000	2.110 ^{+0.005} / _{+0.000}	2.385 ^{+0.005} / _{+0.000}	3.98
BT20460	2-1/4	2-5/8	3/16	.195 ^{+0.005} / _{+0.000}	2.250	2.360 ^{+0.005} / _{+0.000}	2.635 ^{+0.005} / _{+0.000}	4.34
BT20791	2-7/16	3	.284	.286 ^{+0.005} / _{+0.000}	2.437	2.633 ^{+0.005} / _{+0.000}	3.010 ^{+0.005} / _{+0.000}	4.56
BT20860	2-1/2	2-7/8	3/16	.195 ^{+0.005} / _{+0.000}	2.500	2.610 ^{+0.005} / _{+0.000}	2.885 ^{+0.005} / _{+0.000}	4.81
BT20880	2-1/2	3	1/4	.255 ^{+0.005} / _{+0.000}	2.500	2.700 ^{+0.005} / _{+0.000}	3.010 ^{+0.005} / _{+0.000}	5.09
BT21080	2-5/8	3-1/8	1/4	.255 ^{+0.005} / _{+0.000}	2.625	2.777 ^{+0.005} / _{+0.000}	3.135 ^{+0.005} / _{+0.000}	5.27
BT21260	2-3/4	3-1/8	3/16	.195 ^{+0.005} / _{+0.000}	2.750	2.827 ^{+0.005} / _{+0.000}	3.135 ^{+0.005} / _{+0.000}	5.34

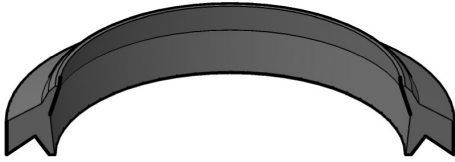
STYLE BT URETHANE WIPER RINGS

WIPER RINGS

Part Number	A Nom. ID	B Nom. OD	C Nom. Ht	D GROOVE WIDTH	E ROD DIAMETER	F THROAT DIAMETER	G HOUSING DIAMETER	List Price
BT30090	2.95	3-1/2	.275	.286 ^{+0.005} / _{+0.000}	2.950	3.146 ^{+0.005} / _{+0.000}	3.510 ^{+0.005} / _{+0.000}	6.42
BT30060	3	3-3/8	3/16	.195 ^{+0.005} / _{+0.000}	3.000	3.110 ^{+0.005} / _{+0.000}	3.385 ^{+0.005} / _{+0.000}	5.87
BT30080	3	3-1/2	1/4	.255 ^{+0.005} / _{+0.000}	3.000	3.200 ^{+0.005} / _{+0.000}	3.510 ^{+0.005} / _{+0.000}	6.17
BT30391	3.165	3.734	.284	.289 ^{+0.005} / _{+0.000}	3.165	3.317 ^{+0.005} / _{+0.000}	3.744 ^{+0.005} / _{+0.000}	6.73
BT30480	3-1/4	3-3/4	1/4	.255 ^{+0.005} / _{+0.000}	3.250	3.450 ^{+0.005} / _{+0.000}	3.760 ^{+0.005} / _{+0.000}	6.85
BT30890	3.45	4	.275	.280 ^{+0.005} / _{+0.000}	3.450	3.646 ^{+0.005} / _{+0.000}	4.010 ^{+0.005} / _{+0.000}	7.13
BT30860	3-1/2	3-7/8	3/16	.195 ^{+0.005} / _{+0.000}	3.500	3.610 ^{+0.005} / _{+0.000}	3.885 ^{+0.005} / _{+0.000}	6.96
BT30880	3-1/2	4	1/4	.255 ^{+0.005} / _{+0.000}	3.500	3.700 ^{+0.005} / _{+0.000}	4.010 ^{+0.005} / _{+0.000}	6.96
BT31080	3-5/8	4-1/8	1/4	.255 ^{+0.005} / _{+0.000}	3.625	3.777 ^{+0.005} / _{+0.000}	4.135 ^{+0.005} / _{+0.000}	7.35
BT31280	3-3/4	4-1/4	1/4	.255 ^{+0.005} / _{+0.000}	3.750	3.950 ^{+0.005} / _{+0.000}	4.260 ^{+0.005} / _{+0.000}	7.46
BT40080	4	4-1/2	1/4	.255 ^{+0.005} / _{+0.000}	4.000	4.200 ^{+0.005} / _{+0.000}	4.510 ^{+0.005} / _{+0.000}	7.72
BT40480	4-1/4	4-3/4	1/4	.255 ^{+0.005} / _{+0.000}	4.250	4.402 ^{+0.005} / _{+0.000}	4.760 ^{+0.005} / _{+0.000}	8.25
BT40880	4-1/2	5	1/4	.255 ^{+0.005} / _{+0.000}	4.500	4.700 ^{+0.005} / _{+0.000}	5.010 ^{+0.005} / _{+0.000}	8.64
BT41280	4-3/4	5-1/4	1/4	.255 ^{+0.005} / _{+0.000}	4.750	4.950 ^{+0.005} / _{+0.000}	5.260 ^{+0.005} / _{+0.000}	9.03
BT50080	5	5-1/2	1/4	.255 ^{+0.005} / _{+0.000}	5.000	5.152 ^{+0.005} / _{+0.000}	5.510 ^{+0.005} / _{+0.000}	9.93
BT50880	5-1/2	6	1/4	.255 ^{+0.005} / _{+0.000}	5.500	5.652 ^{+0.005} / _{+0.000}	6.010 ^{+0.005} / _{+0.000}	12.04
BT60080	6	6-1/2	1/4	.255 ^{+0.005} / _{+0.000}	6.000	6.200 ^{+0.005} / _{+0.000}	6.510 ^{+0.005} / _{+0.000}	12.73

Seal color may vary. Special order sizes are available. Sizes not shown and out of stock items can also be ordered for next day delivery through Seals On Demand, our custom seal program. Please call your regional sales team for assistance.

BUNA-N WIPER CORD



STYLE KW WIPER
7580C



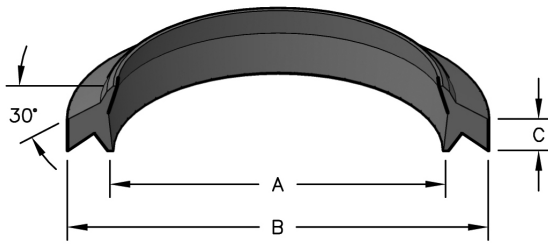
STYLE ST WIPER
7581

Part Number	C Nom. Ht	Nom. Cross Section	List Price
7580C 3/16"	3/16	3/16	\$3.68
7581C 3/16"	3/16	3/16	2.66
7580C 1/4"	1/4	1/4	3.08

WIPER RINGS

STYLE KW URETHANE WIPER RINGS

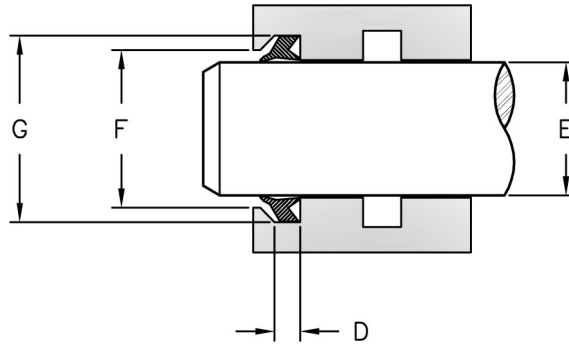
Suffix "N" designates nitrile material.



HERCULES PART NUMBERS

HW - 0500
 Prefix Size

SEAL INFORMATION	
MATERIAL	90A URETHANE
TEMPERATURE RANGE	-40° TO +200° F
SPEED	3 FT/SEC



WIPER RINGS

Part Number	A Nom. ID	B Nom. OD	C Nom. Ht	D GROOVE WIDTH	E ROD DIAMETER	F THROAT DIAMETER	G HOUSING DIAMETER	th THICKNESS	List Price
KW-0500	1/2	3/4	.156	.155 ^{+0.015} / _{+0.000}	.500	.625 ^{+0.015} / _{+0.000}	.760 ^{+0.005} / _{+0.000}	.156	\$6.57
KW-0625	5/8	7/8	.156	.155 ^{+0.015} / _{+0.000}	.625	.750 ^{+0.015} / _{+0.000}	.885 ^{+0.005} / _{+0.000}	.156	5.34
KW-0750	3/4	1-1/8	.19	.195 ^{+0.015} / _{+0.000}	.750	.832 ^{+0.015} / _{+0.000}	1.135 ^{+0.005} / _{+0.000}	.190	5.34
KW-0875	7/8	1-1/4	.19	.195 ^{+0.015} / _{+0.000}	.875	.957 ^{+0.015} / _{+0.000}	1.260 ^{+0.005} / _{+0.000}	.190	5.42
KW-1000	1	1-3/8	.19	.195 ^{+0.015} / _{+0.000}	1.000	1.082 ^{+0.015} / _{+0.000}	1.385 ^{+0.005} / _{+0.000}	.190	5.53
KW-1125	1-1/8	1-1/2	.19	.195 ^{+0.015} / _{+0.000}	1.125	1.207 ^{+0.015} / _{+0.000}	1.510 ^{+0.005} / _{+0.000}	.190	5.75
KW-1250	1-1/4	1-5/8	.19	.195 ^{+0.015} / _{+0.000}	1.250	1.332 ^{+0.015} / _{+0.000}	1.635 ^{+0.005} / _{+0.000}	.190	6.14
KW-1250N	1-1/4	1-5/8	.19	.195 ^{+0.015} / _{+0.000}	1.250	1.332 ^{+0.015} / _{+0.000}	1.635 ^{+0.005} / _{+0.000}	.190	7.49
KW-1375	1-3/8	1-3/4	.19	.195 ^{+0.015} / _{+0.000}	1.375	1.457 ^{+0.015} / _{+0.000}	1.760 ^{+0.005} / _{+0.000}	.190	6.64
KW-1500	1-1/2	1-7/8	.19	.195 ^{+0.015} / _{+0.000}	1.500	1.582 ^{+0.015} / _{+0.000}	1.885 ^{+0.005} / _{+0.000}	.190	7.07
KW-1625	1-5/8	2	.19	.195 ^{+0.015} / _{+0.000}	1.625	1.707 ^{+0.015} / _{+0.000}	2.010 ^{+0.005} / _{+0.000}	.190	7.19
KW-1750	1-3/4	2-1/8	.19	.195 ^{+0.015} / _{+0.000}	1.750	1.832 ^{+0.015} / _{+0.000}	2.135 ^{+0.005} / _{+0.000}	.190	7.51
KW-2000	2	2-3/8	.19	.195 ^{+0.015} / _{+0.000}	2.000	2.082 ^{+0.015} / _{+0.000}	2.385 ^{+0.005} / _{+0.000}	.190	8.58
KW-2125	2-1/8	2-1/2	.19	.195 ^{+0.015} / _{+0.000}	2.125	2.207 ^{+0.015} / _{+0.000}	2.510 ^{+0.005} / _{+0.000}	.190	11.50

STYLE KW URETHANE WIPER RINGS

WIPER RINGS

Part Number	A Nom. ID	B Nom. OD	C Nom. Ht	D GROOVE WIDTH	E ROD DIAMETER	F THROAT DIAMETER	G HOUSING DIAMETER	th THICKNESS	List Price
KW-2250-1	2-1/4	2-5/8	.187	.192 ⁺⁰¹⁵ / ₊₀₀₀	2.250		2.635 ⁺⁰⁰⁵ / ₊₀₀₀	.187	8.96
KW-2250	2-1/4	2-3/4	1/4	.255 ⁺⁰¹⁵ / ₊₀₀₀	2.250	2.407 ⁺⁰¹⁵ / ₊₀₀₀	2.760 ⁺⁰⁰⁵ / ₊₀₀₀	.250	9.02
KW-2450N	2.45	3	.281	.286 ⁺⁰¹⁵ / ₊₀₀₀	2.450		3.010 ⁺⁰⁰⁵ / ₊₀₀₀	.281	30.26
KW-2500	2-1/2	3	1/4	.255 ⁺⁰¹⁵ / ₊₀₀₀	2.500	2.657 ⁺⁰¹⁵ / ₊₀₀₀	3.010 ⁺⁰⁰⁵ / ₊₀₀₀	.250	9.49
KW-2500N	2-1/2	3	1/4	.255 ⁺⁰¹⁵ / ₊₀₀₀	2.500	2.657 ⁺⁰¹⁵ / ₊₀₀₀	3.010 ⁺⁰⁰⁵ / ₊₀₀₀	.250	10.33
KW-2625	2-5/8	3-1/8	1/4	.255 ⁺⁰¹⁵ / ₊₀₀₀	2.625	2.782 ⁺⁰¹⁵ / ₊₀₀₀	3.135 ⁺⁰⁰⁵ / ₊₀₀₀	.250	10.11
KW-2750	2-3/4	3-1/4	1/4	.255 ⁺⁰¹⁵ / ₊₀₀₀	2.750	2.907 ⁺⁰¹⁵ / ₊₀₀₀	3.260 ⁺⁰⁰⁵ / ₊₀₀₀	.250	10.86
KW-3000	3	3-1/2	1/4	.255 ⁺⁰¹⁵ / ₊₀₀₀	3.000	3.157 ⁺⁰¹⁵ / ₊₀₀₀	3.510 ⁺⁰⁰⁵ / ₊₀₀₀	.250	12.19
KW-3000N	3	3-1/2	1/4	.255 ⁺⁰¹⁵ / ₊₀₀₀	3.000	3.157 ⁺⁰¹⁵ / ₊₀₀₀	3.510 ⁺⁰⁰⁵ / ₊₀₀₀	.250	13.52
KW-3125N	3-1/8	3-5/8	1/4	.255 ⁺⁰¹⁵ / ₊₀₀₀	3.125	3.282 ⁺⁰¹⁵ / ₊₀₀₀	3.635 ⁺⁰⁰⁵ / ₊₀₀₀	.250	25.01
KW-3250	3-1/4	3-3/4	1/4	.255 ⁺⁰¹⁵ / ₊₀₀₀	3.250	3.407 ⁺⁰¹⁵ / ₊₀₀₀	3.760 ⁺⁰⁰⁵ / ₊₀₀₀	.250	13.09
KW-3375	3-3/8	3-7/8	1/4	.255 ⁺⁰¹⁵ / ₊₀₀₀	3.375	3.532 ⁺⁰¹⁵ / ₊₀₀₀	3.885 ⁺⁰⁰⁵ / ₊₀₀₀	.250	14.46
KW-3450N	3.45	4	.243	.248 ⁺⁰¹⁵ / ₊₀₀₀	3.450		4.010 ⁺⁰⁰⁵ / ₊₀₀₀	.243	34.14
KW-3500-2	3-1/2	3-7/8	.19	.195 ⁺⁰¹⁵ / ₊₀₀₀	3.500		3.885 ⁺⁰⁰⁵ / ₊₀₀₀	.190	17.78
KW-3500	3-1/2	4	1/4	.255 ⁺⁰¹⁵ / ₊₀₀₀	3.500	3.657 ⁺⁰¹⁵ / ₊₀₀₀	4.010 ⁺⁰⁰⁵ / ₊₀₀₀	.250	14.46
KW-3750	3-3/4	4-1/4	1/4	.255 ⁺⁰¹⁵ / ₊₀₀₀	3.750	3.907 ⁺⁰¹⁵ / ₊₀₀₀	4.260 ⁺⁰⁰⁵ / ₊₀₀₀	.250	15.60
KW-3950N	3.95	4.45	1/4	.255 ⁺⁰¹⁵ / ₊₀₀₀	3.950		4.460 ⁺⁰⁰⁵ / ₊₀₀₀	.250	18.33
KW-4000	4	4-1/2	1/4	.255 ⁺⁰¹⁵ / ₊₀₀₀	4.000	4.157 ⁺⁰¹⁵ / ₊₀₀₀	4.510 ⁺⁰⁰⁵ / ₊₀₀₀	.250	18.86
KW-4060	4-1/16	4-9/16	1/4	.255 ⁺⁰¹⁵ / ₊₀₀₀	4.062		4.5725 ⁺⁰⁰⁵ / ₊₀₀₀	.250	19.78
KW-4500	4-1/2	5	1/4	.255 ⁺⁰¹⁵ / ₊₀₀₀	4.500	4.657 ⁺⁰¹⁵ / ₊₀₀₀	5.010 ⁺⁰⁰⁵ / ₊₀₀₀	.250	21.98
KW-4500N	4-1/2	5	1/4	.255 ⁺⁰¹⁵ / ₊₀₀₀	4.500	4.657 ⁺⁰¹⁵ / ₊₀₀₀	5.010 ⁺⁰⁰⁵ / ₊₀₀₀	.250	40.12
KW-4750N	4-3/4	5-1/4	1/4	.255 ⁺⁰¹⁵ / ₊₀₀₀	4.750	4.907 ⁺⁰¹⁵ / ₊₀₀₀	5.260 ⁺⁰⁰⁵ / ₊₀₀₀	.250	34.83
KW-4875	4-7/8	5-3/8	1/4	.255 ⁺⁰¹⁵ / ₊₀₀₀	4.875	5.032 ⁺⁰¹⁵ / ₊₀₀₀	5.385 ⁺⁰⁰⁵ / ₊₀₀₀	.250	22.20
KW-5000	5	5-1/2	1/4	.255 ⁺⁰¹⁵ / ₊₀₀₀	5.000	5.157 ⁺⁰¹⁵ / ₊₀₀₀	5.510 ⁺⁰⁰⁵ / ₊₀₀₀	.250	24.59
KW-5250N	5-1/4	5-3/4	1/4	.255 ⁺⁰¹⁵ / ₊₀₀₀	5.250	5.407 ⁺⁰¹⁵ / ₊₀₀₀	5.760 ⁺⁰⁰⁵ / ₊₀₀₀	.250	38.63
KW-5375	5-3/8	5-7/8	1/4	.255 ⁺⁰¹⁵ / ₊₀₀₀	5.375		5.885 ⁺⁰⁰⁵ / ₊₀₀₀	.250	27.91
KW-6000	6	6-1/2	1/4	.255 ⁺⁰¹⁵ / ₊₀₀₀	6.000	6.157 ⁺⁰¹⁵ / ₊₀₀₀	6.510 ⁺⁰⁰⁵ / ₊₀₀₀	.250	27.49
KW-7000	7	7-1/2	1/4	.255 ⁺⁰¹⁵ / ₊₀₀₀	7.000	7.157 ⁺⁰¹⁵ / ₊₀₀₀	7.510 ⁺⁰⁰⁵ / ₊₀₀₀	.250	29.78
KW-8000	8	8-1/2	1/4	.255 ⁺⁰¹⁵ / ₊₀₀₀	8.000	8.157 ⁺⁰¹⁵ / ₊₀₀₀	8.510 ⁺⁰⁰⁵ / ₊₀₀₀	.250	65.39
KW-8125	8-1/8	8.63	1/4	.255 ⁺⁰¹⁵ / ₊₀₀₀	8.125		8.640 ⁺⁰⁰⁵ / ₊₀₀₀	.250	56.51
KW-9125	9-1/8	9.63	1/4	.255 ⁺⁰¹⁵ / ₊₀₀₀	9.125		9.640 ⁺⁰⁰⁵ / ₊₀₀₀	.250	98.49
KW-9375	9-3/8	9.89	1/4	.255 ⁺⁰¹⁵ / ₊₀₀₀	9.375		9.900 ⁺⁰⁰⁵ / ₊₀₀₀	.250	104.82