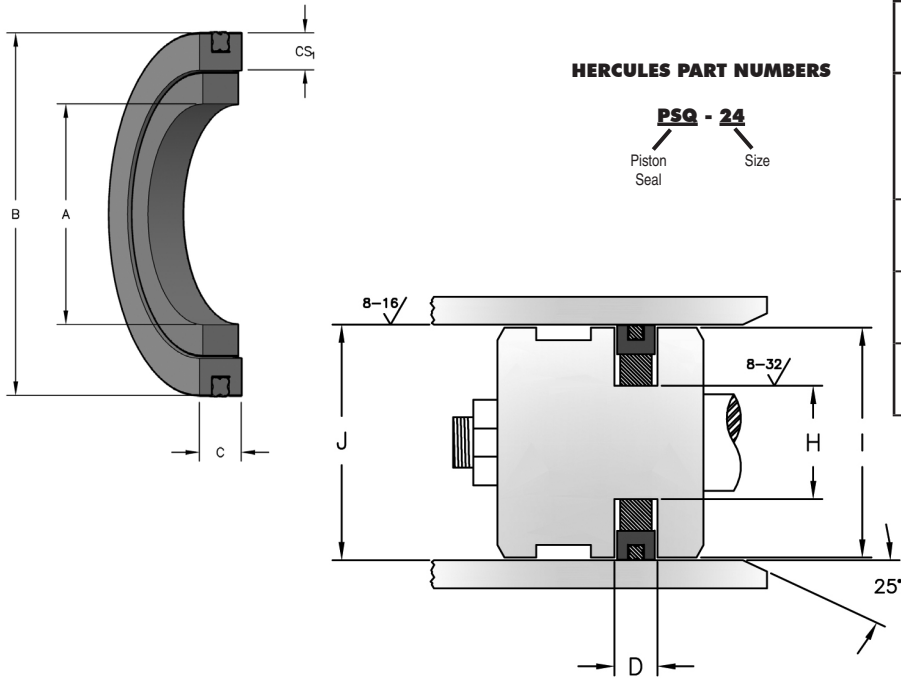


# STYLE PSQ BRONZE FILLED PISTON SEALS

These piston seals provide bi-directional, low friction sealing with increased stability and superior leakage control. The square cut energizer provides low pressure sealing and eliminates backside leakage. This seal also effectively seals between different fluids on each side of the piston seal, making gas/liquid sealing combinations possible.

**NOTE:** Piston diameter "I" dimensions are given for pistons without wear rings.



SEAL INFORMATION	
MATERIAL	40% BRONZE FILLED PTFE SEAL RUBBER ENERGIZER AND QUAD® RING
TEMPERATURE RANGE	-40° TO +250° F
PRESSURE RANGE	0 TO 5,000 PSI
SPEED	6 FT/SEC

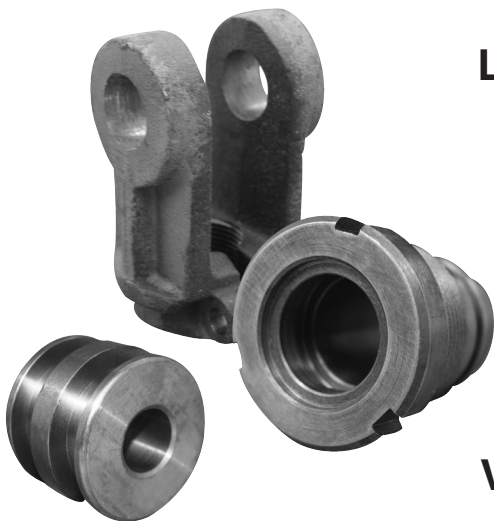
MAXIMUM EXTRUSION GAP			
PRESSURE	1000 PSI	3000 PSI	5000 PSI
MAX DIAM. GAP BORE 1-1/2" - 5"	0.024"	0.008"	0.005"
MAX DIAM. GAP BORE 6" - 10"	0.030"	0.010"	0.006"

Part Number	A Nom. ID	B Nom. OD	C Nom. Ht	C WIDTH	D GROOVE WIDTH	H GROOVE DIAMETER	I PISTON DIAMETER	J BORE DIAMETER	CS <sub>1</sub> RING CROSS SECTION	List Price
PSQ-24	.884	1-1/2	.271	.270 ±.005	.288 +.005 +.000	.884 +.000 -.003	1.499 +.000 -.002	1.500 +.002 +.000	.130 ±.005	\$41.93
PSQ-28	1.134	1-3/4	.27	.270 ±.005	.290 ±.002	1.134 ±.003	1.749 +.000 -.002	1.750 +.002 +.000	.130 ±.005	48.65
PSQ-32	1.384	2	.271	.270 ±.005	.288 +.005 +.000	1.384 +.000 -.003	1.999 +.000 -.002	2.000 +.002 +.000	.130 ±.005	54.53
PSQ-36	1.634	2-1/4	.271	.270 ±.005	.288 +.005 +.000	1.634 +.000 -.003	2.249 +.000 -.002	2.250 +.002 +.000	.130 ±.005	56.42
PSQ-40	1.884	2-1/2	.271	.270 ±.005	.288 +.005 +.000	1.884 +.000 -.003	2.499 +.000 -.002	2.500 +.002 +.000	.130 ±.005	59.44
PSQ-44	2.134	2-3/4	.271	.270 ±.005	.288 +.005 +.000	2.134 +.000 -.003	2.749 +.000 -.002	2.750 +.002 +.000	.130 ±.005	61.79
PSQ-48	2.384	3	.271	.270 ±.005	.288 +.005 +.000	2.384 +.000 -.003	2.999 +.000 -.002	3.000 +.002 +.000	.130 ±.005	64.16
PSQ-52	2.634	3-1/4	.271	.270 ±.005	.288 +.005 +.000	2.634 +.000 -.003	3.249 +.000 -.002	3.250 +.002 +.000	.130 ±.005	67.80
PSQ-56	2.884	3-1/2	.271	.270 ±.005	.288 +.005 +.000	2.884 +.000 -.003	3.499 +.000 -.002	3.500 +.002 +.000	.130 ±.005	69.17

# STYLE PSQ BRONZE FILLED PISTON SEALS

Part Number	A Nom. ID	B Nom. OD	C Nom. Ht	C WIDTH	D GROOVE WIDTH	H GROOVE DIAMETER	I PISTON DIAMETER	J BORE DIAMETER	CS <sub>1</sub> RING CROSS SECTION	List Price
PSQ-64	3.384	4	.271	.270 ±.005	.288 <sup>+.005</sup> / <sub>+.000</sub>	3.384 <sup>+.000</sup> / <sub>-.003</sub>	3.999 <sup>+.000</sup> / <sub>-.002</sub>	4.000 <sup>+.002</sup> / <sub>+.000</sub>	.130 ±.005	69.42
PSQ-68	3.634	4-1/4	.271	.270 ±.005	.288 <sup>+.005</sup> / <sub>+.000</sub>	3.634 <sup>+.000</sup> / <sub>-.003</sub>	4.249 <sup>+.000</sup> / <sub>-.002</sub>	4.250 <sup>+.002</sup> / <sub>+.000</sub>	.130 ±.005	74.15
PSQ-72	3.884	4-1/2	.271	.270 ±.005	.288 <sup>+.005</sup> / <sub>+.000</sub>	3.884 <sup>+.000</sup> / <sub>-.003</sub>	4.499 <sup>+.000</sup> / <sub>-.002</sub>	4.500 <sup>+.002</sup> / <sub>+.000</sub>	.130 ±.005	78.88
PSQ-80	4.384	5	.271	.270 ±.005	.288 <sup>+.005</sup> / <sub>+.000</sub>	4.384 <sup>+.000</sup> / <sub>-.006</sub>	4.998 <sup>+.000</sup> / <sub>-.004</sub>	5.000 <sup>+.004</sup> / <sub>+.000</sub>	.130 ±.005	85.44
PSQ-88	4.66	5-1/2	.362	.362 ±.005	.375 <sup>+.005</sup> / <sub>+.000</sub>	4.660 <sup>+.000</sup> / <sub>-.006</sub>	5.498 <sup>+.000</sup> / <sub>-.004</sub>	5.500 <sup>+.004</sup> / <sub>+.000</sub>	.195 ±.005	104.04
PSQ-92	4.91	5-3/4	.362	.362 ±.005	.378 ±.002	4.910 <sup>+.000</sup> / <sub>-.005</sub>	5.748 <sup>+.000</sup> / <sub>-.004</sub>	5.750 <sup>+.005</sup> / <sub>+.000</sub>	.195 ±.005	112.00
PSQ-96	5.16	6	.362	.362 ±.005	.375 <sup>+.005</sup> / <sub>+.000</sub>	5.160 <sup>+.000</sup> / <sub>-.006</sub>	5.998 <sup>+.000</sup> / <sub>-.004</sub>	6.000 <sup>+.004</sup> / <sub>+.000</sub>	.195 ±.005	112.01
PSQ-104	5.66	6-1/2	.362	.362 ±.005	.375 <sup>+.005</sup> / <sub>+.000</sub>	5.660 <sup>+.000</sup> / <sub>-.006</sub>	6.498 <sup>+.000</sup> / <sub>-.004</sub>	6.500 <sup>+.004</sup> / <sub>+.000</sub>	.195 ±.005	136.13
PSQ-112	6.16	7	.362	.362 ±.005	.375 <sup>+.005</sup> / <sub>+.000</sub>	6.160 <sup>+.000</sup> / <sub>-.006</sub>	6.998 <sup>+.000</sup> / <sub>-.004</sub>	7.000 <sup>+.004</sup> / <sub>+.000</sub>	.195 ±.005	120.72
PSQ-128	7.16	8	.362	.362 ±.005	.375 <sup>+.005</sup> / <sub>+.000</sub>	7.160 <sup>+.000</sup> / <sub>-.006</sub>	7.998 <sup>+.000</sup> / <sub>-.004</sub>	8.000 <sup>+.004</sup> / <sub>+.000</sub>	.195 ±.005	132.45
PSQ-144	8.16	9	.362	.362 ±.005	.375 <sup>+.005</sup> / <sub>+.000</sub>	8.160 <sup>+.000</sup> / <sub>-.006</sub>	8.998 <sup>+.000</sup> / <sub>-.004</sub>	9.000 <sup>+.004</sup> / <sub>+.000</sub>	.195 ±.005	90.55
PSQ-160	9.16	10	.362	.362 ±.005	.375 <sup>+.005</sup> / <sub>+.000</sub>	9.160 <sup>+.000</sup> / <sub>-.006</sub>	9.998 <sup>+.000</sup> / <sub>-.004</sub>	10.000 <sup>+.004</sup> / <sub>+.000</sub>	.195 ±.005	154.67

Seal color may vary. Special order sizes are available. Sizes not shown and out of stock items can also be ordered for next day delivery through Seals On Demand, our custom seal program. Please call your regional sales team for assistance.



**Hercules Offers a Complete Line of Cylinder Repair Parts for Mobile and Industrial Applications.**

**Stock Includes Cylinder Glands, Caps, Heads and Pistons.**

**View the Complete Inventory in the Cylinder and Repair Parts Catalog or Online at [www.HerculesUS.com](http://www.HerculesUS.com)**