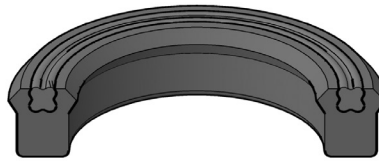
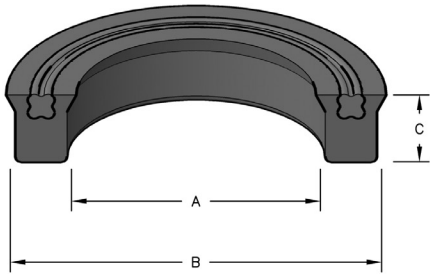


STYLE 800 POLYURETHANE U-SEALS

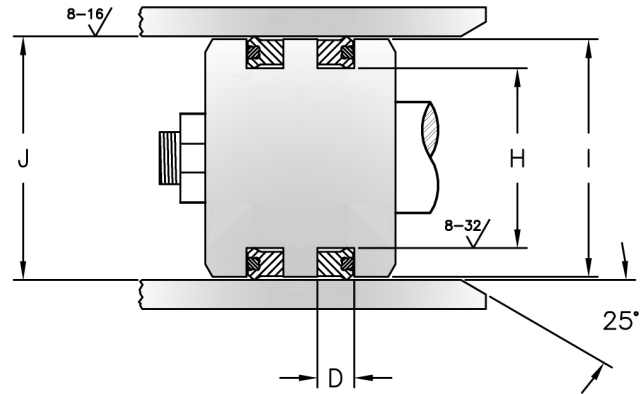
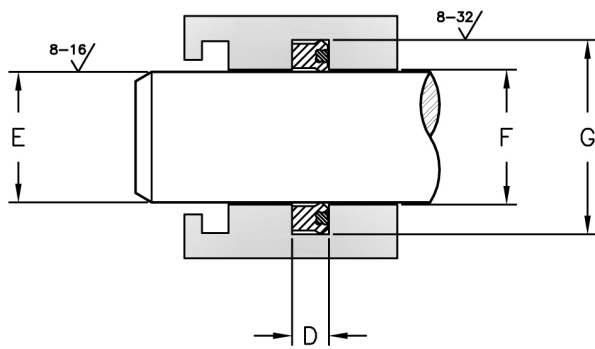
Style 800 U-seals are molded from tough, abrasion-resistant polyurethane. The four lobed expander ring energizes the sealing lips, even at zero pressure, to help prevent "weeping" when the system is idle.



HERCULES PART NUMBERS

U 12 - 0.18 - 25B
 Type of Seal Cross Section Inside Diameter Height

SEAL INFORMATION	
MATERIAL	95A URETHANE
TEMPERATURE RANGE	-65° TO +220° F
PRESSURE RANGE	0 TO 5,000 PSI
SPEED	3 FT/SEC



Standard -
 Height and cross section are equal, thus giving a square seal. Utilizes type "D" lip
 Typical Part Number U25-2.50



Deep -
 Utilizes the same "D" lip, but the seal height is greater than the cross section, thus giving a rectangular shape.
 Typical Part Number U25-2.50-37D



Type SQB -
 Same dimensions as the Standard seal. Beveled lip design provides better film breaking. Utilizes type "B" lip.
 Typical Part Number U25-2.50-SQB



Type B -
 Same dimensions as the Deep seal. Beveled lip design provides better film breaking. Utilizes type "B" lip.
 Typical Part Number U25-2.50-37B

Part Number	A Nom. ID	B Nom. OD	C Nom. Ht	D GROOVE WIDTH	E ROD DIAMETER	F THROAT DIAMETER	G HOUSING DIAMETER	H GROOVE DIAMETER	I PISTON DIAMETER	J BORE DIAMETER	List Price
1/8" C/S											
U12-0.12	1/8	3/8	1/8	.138 +.015 +.000	.125 +.000 -.001	.126 +.002 +.000	.375 +.002 +.000	.125 +.000 -.002	.374 +.000 -.001	.375 +.002 +.000	\$4.54
U12-0.14	9/64	25/64	1/8	.138 +.015 +.000	.140 +.000 -.001	.142 +.002 +.000	.391 +.002 +.000	.140 +.000 -.002	.390 +.000 -.001	.391 +.002 +.000	4.54
U12-0.18	3/16	7/16	1/8	.138 +.015 +.000	.187 +.000 -.001	.189 +.002 +.000	.438 +.002 +.000	.187 +.000 -.002	.436 +.000 -.001	.438 +.002 +.000	4.54
U12-0.18-SQB	3/16	7/16	1/8	.138 +.015 +.000	.187 +.000 -.001	.189 +.002 +.000	.438 +.002 +.000	.187 +.000 -.002	.436 +.000 -.001	.438 +.002 +.000	4.54
U12-0.18-25B	3/16	7/16	1/4	.275 +.015 +.000	.187 +.000 -.001	.189 +.002 +.000	.438 +.002 +.000	.187 +.000 -.002	.436 +.000 -.001	.438 +.002 +.000	4.69
U12-0.25	1/4	1/2	1/8	.138 +.015 +.000	.250 +.000 -.001	.251 +.002 +.000	.500 +.002 +.000	.250 +.000 -.002	.499 +.000 -.001	.500 +.002 +.000	4.73
U12-0.25-SQB	1/4	1/2	1/8	.138 +.015 +.000	.250 +.000 -.001	.251 +.002 +.000	.500 +.002 +.000	.250 +.000 -.002	.499 +.000 -.001	.500 +.002 +.000	4.54
U12-0.25-25B	1/4	1/2	1/4	.275 +.015 +.000	.250 +.000 -.001	.251 +.002 +.000	.500 +.002 +.000	.250 +.000 -.002	.499 +.000 -.001	.500 +.002 +.000	4.82

STYLE 800 POLYURETHANE U-SEALS

U-SEALS

Part Number	A Nom. ID	B Nom. OD	C Nom. Ht	D GROOVE WIDTH	E ROD DIAMETER	F THROAT DIAMETER	G HOUSING DIAMETER	H GROOVE DIAMETER	I PISTON DIAMETER	J BORE DIAMETER	List Price
U12-0.28-25B	9/32	17/32	1/4	.275 ^{+0.015} / _{+0.000}	.281 ^{+0.000} / _{-0.001}	.282 ^{+0.002} / _{+0.000}	.532 ^{+0.002} / _{+0.000}	.281 ^{+0.000} / _{-0.002}	.530 ^{+0.000} / _{-0.001}	.532 ^{+0.002} / _{+0.000}	5.08
U12-0.31	5/16	9/16	1/8	.138 ^{+0.015} / _{+0.000}	.312 ^{+0.000} / _{-0.001}	.313 ^{+0.002} / _{+0.000}	.563 ^{+0.002} / _{+0.000}	.312 ^{+0.000} / _{-0.002}	.562 ^{+0.000} / _{-0.001}	.563 ^{+0.002} / _{+0.000}	4.89
U12-0.31-SQB	5/16	9/16	1/8	.138 ^{+0.015} / _{+0.000}	.312 ^{+0.000} / _{-0.001}	.313 ^{+0.002} / _{+0.000}	.563 ^{+0.002} / _{+0.000}	.312 ^{+0.000} / _{-0.002}	.562 ^{+0.000} / _{-0.001}	.563 ^{+0.002} / _{+0.000}	4.54
U12-0.31-25B	5/16	9/16	1/4	.275 ^{+0.015} / _{+0.000}	.312 ^{+0.000} / _{-0.001}	.313 ^{+0.002} / _{+0.000}	.563 ^{+0.002} / _{+0.000}	.312 ^{+0.000} / _{-0.002}	.562 ^{+0.000} / _{-0.001}	.563 ^{+0.002} / _{+0.000}	5.13
U12-0.37	3/8	5/8	1/8	.138 ^{+0.015} / _{+0.000}	.375 ^{+0.000} / _{-0.001}	.376 ^{+0.002} / _{+0.000}	.625 ^{+0.002} / _{+0.000}	.375 ^{+0.000} / _{-0.002}	.624 ^{+0.000} / _{-0.001}	.625 ^{+0.002} / _{+0.000}	5.08
U12-0.37-SQB	3/8	5/8	1/8	.138 ^{+0.015} / _{+0.000}	.375 ^{+0.000} / _{-0.001}	.376 ^{+0.002} / _{+0.000}	.625 ^{+0.002} / _{+0.000}	.375 ^{+0.000} / _{-0.002}	.624 ^{+0.000} / _{-0.001}	.625 ^{+0.002} / _{+0.000}	4.54
U12-0.37-25B	3/8	5/8	1/4	.275 ^{+0.015} / _{+0.000}	.375 ^{+0.000} / _{-0.001}	.376 ^{+0.002} / _{+0.000}	.625 ^{+0.002} / _{+0.000}	.375 ^{+0.000} / _{-0.002}	.624 ^{+0.000} / _{-0.001}	.625 ^{+0.002} / _{+0.000}	5.15
U12-0.43	7/16	11/16	1/8	.138 ^{+0.015} / _{+0.000}	.437 ^{+0.000} / _{-0.001}	.439 ^{+0.002} / _{+0.000}	.688 ^{+0.002} / _{+0.000}	.437 ^{+0.000} / _{-0.002}	.687 ^{+0.000} / _{-0.001}	.688 ^{+0.002} / _{+0.000}	5.08
U12-0.43-SQB	7/16	11/16	1/8	.138 ^{+0.015} / _{+0.000}	.437 ^{+0.000} / _{-0.001}	.439 ^{+0.002} / _{+0.000}	.688 ^{+0.002} / _{+0.000}	.437 ^{+0.000} / _{-0.002}	.687 ^{+0.000} / _{-0.001}	.688 ^{+0.002} / _{+0.000}	4.54
U12-0.43-25B	7/16	11/16	1/4	.275 ^{+0.015} / _{+0.000}	.437 ^{+0.000} / _{-0.001}	.439 ^{+0.002} / _{+0.000}	.688 ^{+0.002} / _{+0.000}	.437 ^{+0.000} / _{-0.002}	.687 ^{+0.000} / _{-0.001}	.688 ^{+0.002} / _{+0.000}	5.16
U12-0.50	1/2	3/4	1/8	.138 ^{+0.015} / _{+0.000}	.500 ^{+0.000} / _{-0.001}	.501 ^{+0.002} / _{+0.000}	.750 ^{+0.002} / _{+0.000}	.500 ^{+0.000} / _{-0.002}	.749 ^{+0.000} / _{-0.001}	.750 ^{+0.002} / _{+0.000}	4.54
U12-0.50-SQB	1/2	3/4	1/8	.138 ^{+0.015} / _{+0.000}	.500 ^{+0.000} / _{-0.001}	.501 ^{+0.002} / _{+0.000}	.750 ^{+0.002} / _{+0.000}	.500 ^{+0.000} / _{-0.002}	.749 ^{+0.000} / _{-0.001}	.750 ^{+0.002} / _{+0.000}	4.54
U12-0.50CN	1/2	3/4	1/8	.138 ^{+0.015} / _{+0.000}	.500 ^{+0.000} / _{-0.001}	.501 ^{+0.002} / _{+0.000}	.750 ^{+0.002} / _{+0.000}	.500 ^{+0.000} / _{-0.002}	.749 ^{+0.000} / _{-0.001}	.750 ^{+0.002} / _{+0.000}	7.46
U12-0.50-25B	1/2	3/4	1/4	.275 ^{+0.015} / _{+0.000}	.500 ^{+0.000} / _{-0.001}	.501 ^{+0.002} / _{+0.000}	.750 ^{+0.002} / _{+0.000}	.500 ^{+0.000} / _{-0.002}	.749 ^{+0.000} / _{-0.001}	.750 ^{+0.002} / _{+0.000}	5.29
U12-0.56	9/16	13/16	1/8	.138 ^{+0.015} / _{+0.000}	.562 ^{+0.000} / _{-0.001}	.564 ^{+0.002} / _{+0.000}	.813 ^{+0.002} / _{+0.000}	.562 ^{+0.000} / _{-0.002}	.812 ^{+0.000} / _{-0.001}	.813 ^{+0.002} / _{+0.000}	5.37
U12-0.56-SQB	9/16	13/16	1/8	.138 ^{+0.015} / _{+0.000}	.562 ^{+0.000} / _{-0.001}	.564 ^{+0.002} / _{+0.000}	.813 ^{+0.002} / _{+0.000}	.562 ^{+0.000} / _{-0.002}	.812 ^{+0.000} / _{-0.001}	.813 ^{+0.002} / _{+0.000}	4.59
U12-0.56-25B	9/16	13/16	1/4	.275 ^{+0.015} / _{+0.000}	.562 ^{+0.000} / _{-0.001}	.564 ^{+0.002} / _{+0.000}	.813 ^{+0.002} / _{+0.000}	.562 ^{+0.000} / _{-0.002}	.812 ^{+0.000} / _{-0.001}	.813 ^{+0.002} / _{+0.000}	6.09
U12-0.62	5/8	7/8	1/8	.138 ^{+0.015} / _{+0.000}	.625 ^{+0.000} / _{-0.001}	.626 ^{+0.002} / _{+0.000}	.875 ^{+0.002} / _{+0.000}	.625 ^{+0.000} / _{-0.002}	.874 ^{+0.000} / _{-0.001}	.875 ^{+0.002} / _{+0.000}	4.67
U12-0.62-SQB	5/8	7/8	1/8	.138 ^{+0.015} / _{+0.000}	.625 ^{+0.000} / _{-0.001}	.626 ^{+0.002} / _{+0.000}	.875 ^{+0.002} / _{+0.000}	.625 ^{+0.000} / _{-0.002}	.874 ^{+0.000} / _{-0.001}	.875 ^{+0.002} / _{+0.000}	4.67
U12-0.62CN	5/8	7/8	1/8	.138 ^{+0.015} / _{+0.000}	.625 ^{+0.000} / _{-0.001}	.626 ^{+0.002} / _{+0.000}	.875 ^{+0.002} / _{+0.000}	.625 ^{+0.000} / _{-0.002}	.874 ^{+0.000} / _{-0.001}	.875 ^{+0.002} / _{+0.000}	9.46
U12-0.62-17B	5/8	7/8	.178	.196 ^{+0.010} / _{+0.000}	.625 ^{+0.000} / _{-0.001}	.626 ^{+0.002} / _{+0.000}	.875 ^{+0.002} / _{+0.000}	.625 ^{+0.000} / _{-0.002}	.874 ^{+0.000} / _{-0.001}	.875 ^{+0.002} / _{+0.000}	5.48
U12-0.62-25B	5/8	7/8	1/4	.275 ^{+0.015} / _{+0.000}	.625 ^{+0.000} / _{-0.001}	.626 ^{+0.002} / _{+0.000}	.875 ^{+0.002} / _{+0.000}	.625 ^{+0.000} / _{-0.002}	.874 ^{+0.000} / _{-0.001}	.875 ^{+0.002} / _{+0.000}	5.49
U12-0.62-25D	5/8	7/8	1/4	.275 ^{+0.015} / _{+0.000}	.625 ^{+0.000} / _{-0.001}	.626 ^{+0.002} / _{+0.000}	.875 ^{+0.002} / _{+0.000}	.625 ^{+0.000} / _{-0.002}	.874 ^{+0.000} / _{-0.001}	.875 ^{+0.002} / _{+0.000}	6.09
U12-0.68	11/16	15/16	1/8	.138 ^{+0.015} / _{+0.000}	.687 ^{+0.000} / _{-0.001}	.689 ^{+0.002} / _{+0.000}	.938 ^{+0.002} / _{+0.000}	.687 ^{+0.000} / _{-0.002}	.937 ^{+0.000} / _{-0.001}	.938 ^{+0.002} / _{+0.000}	4.94
U12-0.68-SQB	11/16	15/16	1/8	.138 ^{+0.015} / _{+0.000}	.687 ^{+0.000} / _{-0.001}	.689 ^{+0.002} / _{+0.000}	.938 ^{+0.002} / _{+0.000}	.687 ^{+0.000} / _{-0.002}	.937 ^{+0.000} / _{-0.001}	.938 ^{+0.002} / _{+0.000}	4.94
U12-0.68-25B	11/16	15/16	1/4	.275 ^{+0.015} / _{+0.000}	.687 ^{+0.000} / _{-0.001}	.689 ^{+0.002} / _{+0.000}	.938 ^{+0.002} / _{+0.000}	.687 ^{+0.000} / _{-0.002}	.937 ^{+0.000} / _{-0.001}	.938 ^{+0.002} / _{+0.000}	5.53
U12-0.75	3/4	1	1/8	.138 ^{+0.015} / _{+0.000}	.750 ^{+0.000} / _{-0.001}	.751 ^{+0.002} / _{+0.000}	1.000 ^{+0.002} / _{+0.000}	.750 ^{+0.000} / _{-0.002}	.999 ^{+0.000} / _{-0.001}	1.000 ^{+0.002} / _{+0.000}	4.82
U12-0.75-SQB	3/4	1	1/8	.138 ^{+0.015} / _{+0.000}	.750 ^{+0.000} / _{-0.001}	.751 ^{+0.002} / _{+0.000}	1.000 ^{+0.002} / _{+0.000}	.750 ^{+0.000} / _{-0.002}	.999 ^{+0.000} / _{-0.001}	1.000 ^{+0.002} / _{+0.000}	4.82
U12-0.75-18B	3/4	1	3/16	.206 ^{+0.015} / _{+0.000}	.750 ^{+0.000} / _{-0.001}	.751 ^{+0.002} / _{+0.000}	1.000 ^{+0.002} / _{+0.000}	.750 ^{+0.000} / _{-0.002}	.999 ^{+0.000} / _{-0.001}	1.000 ^{+0.002} / _{+0.000}	5.29
U12-0.75-25B	3/4	1	1/4	.275 ^{+0.015} / _{+0.000}	.750 ^{+0.000} / _{-0.001}	.751 ^{+0.002} / _{+0.000}	1.000 ^{+0.002} / _{+0.000}	.750 ^{+0.000} / _{-0.002}	.999 ^{+0.000} / _{-0.001}	1.000 ^{+0.002} / _{+0.000}	5.68
U12-0.75-25D	3/4	1	1/4	.275 ^{+0.015} / _{+0.000}	.750 ^{+0.000} / _{-0.001}	.751 ^{+0.002} / _{+0.000}	1.000 ^{+0.002} / _{+0.000}	.750 ^{+0.000} / _{-0.002}	.999 ^{+0.000} / _{-0.001}	1.000 ^{+0.002} / _{+0.000}	5.68
U12-0.81	13/16	1-1/16	1/8	.138 ^{+0.015} / _{+0.000}	.812 ^{+0.000} / _{-0.001}	.814 ^{+0.002} / _{+0.000}	1.063 ^{+0.002} / _{+0.000}	.812 ^{+0.000} / _{-0.002}	1.061 ^{+0.000} / _{-0.001}	1.063 ^{+0.002} / _{+0.000}	5.01
U12-0.81-SQB	13/16	1-1/16	1/8	.138 ^{+0.015} / _{+0.000}	.812 ^{+0.000} / _{-0.001}	.814 ^{+0.002} / _{+0.000}	1.063 ^{+0.002} / _{+0.000}	.812 ^{+0.000} / _{-0.002}	1.062 ^{+0.000} / _{-0.001}	1.063 ^{+0.002} / _{+0.000}	5.01

STYLE 800 POLYURETHANE U-SEALS

U-SEALS

Part Number	A Nom. ID	B Nom. OD	C Nom. Ht	D GROOVE WIDTH	E ROD DIAMETER	F THROAT DIAMETER	G HOUSING DIAMETER	H GROOVE DIAMETER	I PISTON DIAMETER	J BORE DIAMETER	List Price
U12-0.81-25B	13/16	1-1/16	1/4	.275 +.015 +0.000	.812 +.000 -.001	.814 +.002 +0.000	1.063 +.002 +0.000	.812 +.000 -.002	1.061 +.000 -.001	1.063 +.002 +0.000	5.78
U12-0.87	7/8	1-1/8	1/8	.138 +.015 +0.000	.875 +.000 -.001	.876 +.002 +0.000	1.125 +.002 +0.000	.875 +.000 -.002	1.124 +.000 -.001	1.125 +.002 +0.000	5.01
U12-0.87-SQB	7/8	1-1/8	1/8	.138 +.015 +0.000	.875 +.000 -.001	.876 +.002 +0.000	1.125 +.002 +0.000	.875 +.000 -.002	1.124 +.000 -.001	1.125 +.002 +0.000	5.01
U12-0.87-25B	7/8	1-1/8	1/4	.275 +.015 +0.000	.875 +.000 -.001	.876 +.002 +0.000	1.125 +.002 +0.000	.875 +.000 -.002	1.124 +.000 -.001	1.125 +.002 +0.000	5.88
U12-0.87-25D	7/8	1-1/8	1/4	.275 +.015 +0.000	.875 +.000 -.001	.876 +.002 +0.000	1.125 +.002 +0.000	.875 +.000 -.002	1.124 +.000 -.001	1.125 +.002 +0.000	6.88
U12-0.93	15/16	1-3/16	1/8	.138 +.015 +0.000	.937 +.000 -.001	.939 +.002 +0.000	1.188 +.002 +0.000	.937 +.000 -.002	1.187 +.000 -.001	1.188 +.002 +0.000	5.16
U12-0.93-25B	15/16	1-3/16	1/4	.275 +.015 +0.000	.937 +.000 -.001	.939 +.002 +0.000	1.188 +.002 +0.000	.937 +.000 -.002	1.187 +.000 -.001	1.188 +.002 +0.000	6.09
U12-1.00	1	1-1/4	1/8	.138 +.015 +0.000	1.000 +.000 -.001	1.001 +.002 +0.000	1.250 +.002 +0.000	1.000 +.000 -.002	1.249 +.000 -.001	1.250 +.002 +0.000	5.16
U12-1.00-SQB	1	1-1/4	1/8	.138 +.015 +0.000	1.000 +.000 -.001	1.001 +.002 +0.000	1.250 +.002 +0.000	1.000 +.000 -.002	1.249 +.000 -.001	1.250 +.002 +0.000	5.29
U12-1.00-18B	1	1-1/4	3/16	.206 +.015 +0.000	1.000 +.000 -.001	1.001 +.002 +0.000	1.250 +.002 +0.000	1.000 +.000 -.002	1.249 +.000 -.001	1.250 +.002 +0.000	7.84
U12-1.00-25B	1	1-1/4	1/4	.275 +.015 +0.000	1.000 +.000 -.001	1.001 +.002 +0.000	1.250 +.002 +0.000	1.000 +.000 -.002	1.249 +.000 -.001	1.250 +.002 +0.000	6.13
U12-1.00-25D	1	1-1/4	1/4	.275 +.015 +0.000	1.000 +.000 -.001	1.001 +.002 +0.000	1.250 +.002 +0.000	1.000 +.000 -.002	1.249 +.000 -.001	1.250 +.002 +0.000	6.13
U12-1.06	1.062	1.312	1/8	.138 +.015 +0.000	1.062 +.000 -.001	1.063 +.002 +0.000	1.313 +.002 +0.000	1.062 +.000 -.002	1.311 +.000 -.001	1.313 +.002 +0.000	4.62
U12-1.06-SQB	1-1/16	1-5/16	1/8	.138 +.015 +0.000	1.062 +.000 -.001	1.063 +.002 +0.000	1.313 +.002 +0.000	1.062 +.000 -.002	1.311 +.000 -.001	1.313 +.002 +0.000	5.41
U12-1.06-25B	1-1/16	1-5/16	1/4	.275 +.015 +0.000	1.062 +.000 -.001	1.063 +.002 +0.000	1.313 +.002 +0.000	1.062 +.000 -.002	1.311 +.000 -.001	1.313 +.002 +0.000	6.22
U12-1.12	1-1/8	1-3/8	1/8	.138 +.015 +0.000	1.125 +.000 -.001	1.126 +.002 +0.000	1.375 +.002 +0.000	1.125 +.000 -.002	1.374 +.000 -.001	1.375 +.002 +0.000	5.50
U12-1.12-SQB	1-1/8	1-3/8	1/8	.138 +.015 +0.000	1.125 +.000 -.001	1.126 +.002 +0.000	1.375 +.002 +0.000	1.125 +.000 -.002	1.374 +.000 -.001	1.375 +.002 +0.000	5.50
U12-1.12-18D	1-1/8	1-3/8	3/16	.206 +.015 +0.000	1.125 +.000 -.001	1.126 +.002 +0.000	1.375 +.002 +0.000	1.125 +.000 -.002	1.374 +.000 -.001	1.375 +.002 +0.000	9.33
U12-1.12-25B	1-1/8	1-3/8	1/4	.275 +.015 +0.000	1.125 +.000 -.001	1.126 +.002 +0.000	1.375 +.002 +0.000	1.125 +.000 -.002	1.374 +.000 -.001	1.375 +.002 +0.000	6.38
U12-1.12-25D	1-1/8	1-3/8	1/4	.275 +.015 +0.000	1.125 +.000 -.001	1.126 +.002 +0.000	1.375 +.002 +0.000	1.125 +.000 -.002	1.374 +.000 -.001	1.375 +.002 +0.000	6.38
U12-1.18	1-3/16	1-7/16	1/8	.138 +.015 +0.000	1.187 +.000 -.001	1.189 +.002 +0.000	1.438 +.002 +0.000	1.187 +.000 -.002	1.436 +.000 -.001	1.438 +.002 +0.000	5.53
U12-1.18-18B	1-3/16	1-7/16	3/16	.206 +.015 +0.000	1.187 +.000 -.001	1.189 +.002 +0.000	1.438 +.002 +0.000	1.187 +.000 -.002	1.436 +.000 -.001	1.438 +.002 +0.000	6.74
U12-1.18-25B	1-3/16	1-7/16	1/4	.275 +.015 +0.000	1.187 +.000 -.001	1.189 +.002 +0.000	1.438 +.002 +0.000	1.187 +.000 -.002	1.436 +.000 -.001	1.438 +.002 +0.000	6.74
U12-1.25	1-1/4	1-1/2	1/8	.138 +.015 +0.000	1.250 +.000 -.001	1.251 +.002 +0.000	1.500 +.002 +0.000	1.250 +.000 -.002	1.499 +.000 -.001	1.500 +.002 +0.000	5.71
U12-1.25-SQB	1-1/4	1-1/2	1/8	.138 +.015 +0.000	1.250 +.000 -.001	1.251 +.002 +0.000	1.500 +.002 +0.000	1.250 +.000 -.002	1.499 +.000 -.001	1.500 +.002 +0.000	5.71
U12-1.25-18B	1-1/4	1-1/2	3/16	.206 +.015 +0.000	1.250 +.000 -.001	1.251 +.002 +0.000	1.500 +.002 +0.000	1.250 +.000 -.002	1.499 +.000 -.001	1.500 +.002 +0.000	6.88
U12-1.25-25B	1-1/4	1-1/2	1/4	.275 +.015 +0.000	1.250 +.000 -.001	1.251 +.002 +0.000	1.500 +.002 +0.000	1.250 +.000 -.002	1.499 +.000 -.001	1.500 +.002 +0.000	6.88
U12-1.25-25D	1-1/4	1-1/2	1/4	.275 +.015 +0.000	1.250 +.000 -.001	1.251 +.002 +0.000	1.500 +.002 +0.000	1.250 +.000 -.002	1.499 +.000 -.001	1.500 +.002 +0.000	6.88
U12-1.31	1-5/16	1-9/16	1/8	.138 +.015 +0.000	1.312 +.000 -.001	1.313 +.002 +0.000	1.563 +.002 +0.000	1.312 +.000 -.002	1.561 +.000 -.001	1.563 +.002 +0.000	6.07
U12-1.31-SQB	1-5/16	1-9/16	1/8	.138 +.015 +0.000	1.312 +.000 -.001	1.313 +.002 +0.000	1.563 +.002 +0.000	1.312 +.000 -.002	1.561 +.000 -.001	1.563 +.002 +0.000	6.07
U12-1.31-18B	1-5/16	1-9/16	3/16	.206 +.015 +0.000	1.312 +.000 -.001	1.313 +.002 +0.000	1.563 +.002 +0.000	1.312 +.000 -.002	1.561 +.000 -.001	1.563 +.002 +0.000	6.85
U12-1.37-SQB	1-3/8	1-5/8	1/8	.138 +.015 +0.000	1.375 +.000 -.001	1.376 +.002 +0.000	1.625 +.002 +0.000	1.375 +.000 -.002	1.624 +.000 -.001	1.625 +.002 +0.000	6.09
U12-1.37-18D	1-3/8	1-5/8	3/16	.206 +.015 +0.000	1.375 +.000 -.001	1.376 +.002 +0.000	1.625 +.002 +0.000	1.375 +.000 -.002	1.624 +.000 -.001	1.625 +.002 +0.000	6.85

STYLE 800 POLYURETHANE U-SEALS

U-SEALS

Part Number	A Nom. ID	B Nom. OD	C Nom. Ht	D GROOVE WIDTH	E ROD DIAMETER	F THROAT DIAMETER	G HOUSING DIAMETER	H GROOVE DIAMETER	I PISTON DIAMETER	J BORE DIAMETER	List Price
U12-1.37-25B	1-3/8	1-5/8	1/4	.275 ^{+0.015} / _{+0.000}	1.375 ^{+0.000} / _{-.001}	1.376 ^{+0.002} / _{+0.000}	1.625 ^{+0.002} / _{+0.000}	1.375 ^{+0.000} / _{-.002}	1.624 ^{+0.000} / _{-.001}	1.625 ^{+0.002} / _{+0.000}	6.85
U12-1.43-SQB	1-7/16	1-11/16	1/8	.138 ^{+0.015} / _{+0.000}	1.437 ^{+0.000} / _{-.001}	1.439 ^{+0.002} / _{+0.000}	1.688 ^{+0.002} / _{+0.000}	1.437 ^{+0.000} / _{-.002}	1.686 ^{+0.000} / _{-.001}	1.688 ^{+0.002} / _{+0.000}	7.11
U12-1.43-25B	1-7/16	1-11/16	1/4	.275 ^{+0.015} / _{+0.000}	1.437 ^{+0.000} / _{-.001}	1.439 ^{+0.002} / _{+0.000}	1.688 ^{+0.002} / _{+0.000}	1.437 ^{+0.000} / _{-.002}	1.686 ^{+0.000} / _{-.001}	1.688 ^{+0.002} / _{+0.000}	7.04
U12-1.50	1-1/2	1-3/4	1/8	.138 ^{+0.015} / _{+0.000}	1.500 ^{+0.000} / _{-.001}	1.501 ^{+0.002} / _{+0.000}	1.750 ^{+0.002} / _{+0.000}	1.500 ^{+0.000} / _{-.002}	1.749 ^{+0.000} / _{-.001}	1.750 ^{+0.002} / _{+0.000}	6.13
U12-1.50-SQB	1-1/2	1-3/4	1/8	.138 ^{+0.015} / _{+0.000}	1.500 ^{+0.000} / _{-.001}	1.501 ^{+0.002} / _{+0.000}	1.750 ^{+0.002} / _{+0.000}	1.500 ^{+0.000} / _{-.002}	1.749 ^{+0.000} / _{-.001}	1.750 ^{+0.002} / _{+0.000}	6.13
U12-1.50-18B	1-1/2	1-3/4	3/16	.206 ^{+0.015} / _{+0.000}	1.500 ^{+0.000} / _{-.001}	1.501 ^{+0.002} / _{+0.000}	1.750 ^{+0.002} / _{+0.000}	1.500 ^{+0.000} / _{-.002}	1.749 ^{+0.000} / _{-.001}	1.750 ^{+0.002} / _{+0.000}	7.34
U12-1.50-25B	1-1/2	1-3/4	1/4	.275 ^{+0.015} / _{+0.000}	1.500 ^{+0.000} / _{-.001}	1.501 ^{+0.002} / _{+0.000}	1.750 ^{+0.002} / _{+0.000}	1.500 ^{+0.000} / _{-.002}	1.749 ^{+0.000} / _{-.001}	1.750 ^{+0.002} / _{+0.000}	7.18
U12-1.56	1-9/16	1-13/16	1/8	.138 ^{+0.015} / _{+0.000}	1.562 ^{+0.000} / _{-.001}	1.564 ^{+0.002} / _{+0.000}	1.813 ^{+0.002} / _{+0.000}	1.562 ^{+0.000} / _{-.002}	1.811 ^{+0.000} / _{-.001}	1.813 ^{+0.002} / _{+0.000}	6.36
U12-1.62	1-5/8	1-7/8	1/8	.138 ^{+0.015} / _{+0.000}	1.625 ^{+0.000} / _{-.001}	1.626 ^{+0.002} / _{+0.000}	1.875 ^{+0.002} / _{+0.000}	1.625 ^{+0.000} / _{-.002}	1.874 ^{+0.000} / _{-.001}	1.875 ^{+0.002} / _{+0.000}	6.67
U12-1.62-SQB	1-5/8	1-7/8	1/8	.138 ^{+0.015} / _{+0.000}	1.625 ^{+0.000} / _{-.001}	1.626 ^{+0.002} / _{+0.000}	1.875 ^{+0.002} / _{+0.000}	1.625 ^{+0.000} / _{-.002}	1.874 ^{+0.000} / _{-.001}	1.875 ^{+0.002} / _{+0.000}	6.67
U12-1.68	1-11/16	1-15/16	1/8	.138 ^{+0.015} / _{+0.000}	1.687 ^{+0.000} / _{-.001}	1.689 ^{+0.002} / _{+0.000}	1.938 ^{+0.002} / _{+0.000}	1.687 ^{+0.000} / _{-.002}	1.936 ^{+0.000} / _{-.001}	1.938 ^{+0.002} / _{+0.000}	14.68
U12-1.75	1-3/4	2	1/8	.138 ^{+0.015} / _{+0.000}	1.750 ^{+0.000} / _{-.001}	1.751 ^{+0.002} / _{+0.000}	2.000 ^{+0.002} / _{+0.000}	1.750 ^{+0.000} / _{-.002}	1.999 ^{+0.000} / _{-.001}	2.000 ^{+0.002} / _{+0.000}	6.54
U12-1.75-SQB	1-3/4	2	1/8	.138 ^{+0.015} / _{+0.000}	1.750 ^{+0.000} / _{-.001}	1.751 ^{+0.002} / _{+0.000}	2.000 ^{+0.002} / _{+0.000}	1.750 ^{+0.000} / _{-.002}	1.999 ^{+0.000} / _{-.001}	2.000 ^{+0.002} / _{+0.000}	6.54
U12-1.75-25B	1-3/4	2	1/4	.275 ^{+0.015} / _{+0.000}	1.750 ^{+0.000} / _{-.001}	1.751 ^{+0.002} / _{+0.000}	2.000 ^{+0.002} / _{+0.000}	1.750 ^{+0.000} / _{-.002}	1.999 ^{+0.000} / _{-.001}	2.000 ^{+0.002} / _{+0.000}	7.84
U12-1.75-25D	1-3/4	2	1/4	.275 ^{+0.015} / _{+0.000}	1.750 ^{+0.000} / _{-.001}	1.751 ^{+0.002} / _{+0.000}	2.000 ^{+0.002} / _{+0.000}	1.750 ^{+0.000} / _{-.002}	1.999 ^{+0.000} / _{-.001}	2.000 ^{+0.002} / _{+0.000}	7.84
U12-1.87	1-7/8	2-1/8	1/8	.138 ^{+0.015} / _{+0.000}	1.875 ^{+0.000} / _{-.001}	1.876 ^{+0.002} / _{+0.000}	2.125 ^{+0.002} / _{+0.000}	1.875 ^{+0.000} / _{-.002}	2.124 ^{+0.000} / _{-.001}	2.125 ^{+0.002} / _{+0.000}	6.99
U12-2.00	2	2-1/4	1/8	.138 ^{+0.015} / _{+0.000}	2.000 ^{+0.000} / _{-.001}	2.001 ^{+0.002} / _{+0.000}	2.250 ^{+0.002} / _{+0.000}	2.000 ^{+0.000} / _{-.002}	2.249 ^{+0.000} / _{-.001}	2.250 ^{+0.002} / _{+0.000}	7.17
U12-2.00-25B	2	2-1/4	1/4	.275 ^{+0.015} / _{+0.000}	2.000 ^{+0.000} / _{-.001}	2.001 ^{+0.002} / _{+0.000}	2.250 ^{+0.002} / _{+0.000}	2.000 ^{+0.000} / _{-.002}	2.249 ^{+0.000} / _{-.001}	2.250 ^{+0.002} / _{+0.000}	7.29
U12-2.00-25D	2	2-1/4	1/4	.275 ^{+0.015} / _{+0.000}	2.000 ^{+0.000} / _{-.001}	2.001 ^{+0.002} / _{+0.000}	2.250 ^{+0.002} / _{+0.000}	2.000 ^{+0.000} / _{-.002}	2.249 ^{+0.000} / _{-.001}	2.250 ^{+0.002} / _{+0.000}	11.47
U12-2.12	2-1/8	2-3/8	1/8	.138 ^{+0.015} / _{+0.000}	2.125 ^{+0.000} / _{-.001}	2.126 ^{+0.002} / _{+0.000}	2.375 ^{+0.002} / _{+0.000}	2.125 ^{+0.000} / _{-.002}	2.374 ^{+0.000} / _{-.001}	2.375 ^{+0.002} / _{+0.000}	7.34
U12-2.12-25D	2-1/8	2-3/8	1/4	.275 ^{+0.015} / _{+0.000}	2.125 ^{+0.000} / _{-.001}	2.126 ^{+0.002} / _{+0.000}	2.375 ^{+0.002} / _{+0.000}	2.125 ^{+0.000} / _{-.002}	2.374 ^{+0.000} / _{-.001}	2.375 ^{+0.002} / _{+0.000}	11.52
U12-2.25	2-1/4	2-1/2	1/8	.138 ^{+0.015} / _{+0.000}	2.250 ^{+0.000} / _{-.001}	2.251 ^{+0.002} / _{+0.000}	2.500 ^{+0.002} / _{+0.000}	2.250 ^{+0.000} / _{-.002}	2.499 ^{+0.000} / _{-.001}	2.500 ^{+0.002} / _{+0.000}	7.52
U12-2.25-37D	2-1/4	2-1/2	3/8	.413 ^{+0.015} / _{+0.000}	2.250 ^{+0.000} / _{-.001}	2.251 ^{+0.002} / _{+0.000}	2.500 ^{+0.002} / _{+0.000}	2.250 ^{+0.000} / _{-.002}	2.499 ^{+0.000} / _{-.001}	2.500 ^{+0.002} / _{+0.000}	9.63
U12-2.37	2-3/8	2-5/8	1/8	.138 ^{+0.015} / _{+0.000}	2.375 ^{+0.000} / _{-.001}	2.376 ^{+0.002} / _{+0.000}	2.625 ^{+0.002} / _{+0.000}	2.375 ^{+0.000} / _{-.002}	2.624 ^{+0.000} / _{-.001}	2.625 ^{+0.002} / _{+0.000}	7.35
U12-2.37-18B	2-3/8	2-5/8	3/16	.206 ^{+0.015} / _{+0.000}	2.375 ^{+0.000} / _{-.001}	2.376 ^{+0.002} / _{+0.000}	2.625 ^{+0.002} / _{+0.000}	2.375 ^{+0.000} / _{-.002}	2.624 ^{+0.000} / _{-.001}	2.625 ^{+0.002} / _{+0.000}	7.75
U12-2.50	2-1/2	2-3/4	1/8	.138 ^{+0.015} / _{+0.000}	2.500 ^{+0.000} / _{-.001}	2.501 ^{+0.002} / _{+0.000}	2.750 ^{+0.002} / _{+0.000}	2.500 ^{+0.000} / _{-.002}	2.749 ^{+0.000} / _{-.001}	2.750 ^{+0.002} / _{+0.000}	7.90
U12-2.50-SQB	2-1/2	2-3/4	1/8	.138 ^{+0.015} / _{+0.000}	2.500 ^{+0.000} / _{-.001}	2.501 ^{+0.002} / _{+0.000}	2.750 ^{+0.002} / _{+0.000}	2.500 ^{+0.000} / _{-.002}	2.749 ^{+0.000} / _{-.001}	2.750 ^{+0.002} / _{+0.000}	7.90
U12-2.50-25B	2-1/2	2-3/4	1/4	.275 ^{+0.015} / _{+0.000}	2.500 ^{+0.000} / _{-.001}	2.501 ^{+0.002} / _{+0.000}	2.750 ^{+0.002} / _{+0.000}	2.500 ^{+0.000} / _{-.002}	2.749 ^{+0.000} / _{-.001}	2.750 ^{+0.002} / _{+0.000}	7.79
U12-2.75	2-3/4	3	1/8	.138 ^{+0.015} / _{+0.000}	2.750 ^{+0.000} / _{-.001}	2.751 ^{+0.002} / _{+0.000}	3.000 ^{+0.002} / _{+0.000}	2.750 ^{+0.000} / _{-.002}	2.999 ^{+0.000} / _{-.001}	3.000 ^{+0.002} / _{+0.000}	8.43
U12-2.75-25B	2-3/4	3	1/4	.275 ^{+0.015} / _{+0.000}	2.750 ^{+0.000} / _{-.001}	2.751 ^{+0.002} / _{+0.000}	3.000 ^{+0.002} / _{+0.000}	2.750 ^{+0.000} / _{-.002}	2.999 ^{+0.000} / _{-.001}	3.000 ^{+0.002} / _{+0.000}	9.56
U12-2.75-37B	2-3/4	3	3/8	.413 ^{+0.015} / _{+0.000}	2.750 ^{+0.000} / _{-.001}	2.751 ^{+0.002} / _{+0.000}	3.000 ^{+0.002} / _{+0.000}	2.750 ^{+0.000} / _{-.002}	2.999 ^{+0.000} / _{-.001}	3.000 ^{+0.002} / _{+0.000}	9.87
U12-2.87	2-7/8	3-1/8	1/8	.138 ^{+0.015} / _{+0.000}	2.875 ^{+0.000} / _{-.001}	2.876 ^{+0.002} / _{+0.000}	3.125 ^{+0.002} / _{+0.000}	2.875 ^{+0.000} / _{-.002}	3.124 ^{+0.000} / _{-.001}	3.125 ^{+0.002} / _{+0.000}	9.56
U12-3.00	3	3-1/4	1/8	.138 ^{+0.015} / _{+0.000}	3.000 ^{+0.000} / _{-.001}	3.001 ^{+0.002} / _{+0.000}	3.250 ^{+0.002} / _{+0.000}	3.000 ^{+0.000} / _{-.002}	3.249 ^{+0.000} / _{-.001}	3.250 ^{+0.002} / _{+0.000}	8.97

STYLE 800 POLYURETHANE U-SEALS

U-SEALS

Part Number	A Nom. ID	B Nom. OD	C Nom. Ht	D GROOVE WIDTH	E ROD DIAMETER	F THROAT DIAMETER	G HOUSING DIAMETER	H GROOVE DIAMETER	I PISTON DIAMETER	J BORE DIAMETER	List Price
U12-3.12	3-1/8	3-3/8	1/8	.138 ^{+0.015} / _{+0.000}	3.125 ^{+0.000} / _{-0.001}	3.126 ^{+0.002} / _{+0.000}	3.375 ^{+0.002} / _{+0.000}	3.125 ^{+0.000} / _{-0.002}	3.374 ^{+0.000} / _{-0.001}	3.375 ^{+0.002} / _{+0.000}	14.98
U12-3.25	3-1/4	3-1/2	1/8	.138 ^{+0.015} / _{+0.000}	3.250 ^{+0.000} / _{-0.001}	3.251 ^{+0.002} / _{+0.000}	3.500 ^{+0.002} / _{+0.000}	3.250 ^{+0.000} / _{-0.002}	3.499 ^{+0.000} / _{-0.001}	3.500 ^{+0.002} / _{+0.000}	9.40
U12-3.50	3-1/2	3-3/4	1/8	.138 ^{+0.015} / _{+0.000}	3.500 ^{+0.000} / _{-0.001}	3.501 ^{+0.002} / _{+0.000}	3.750 ^{+0.002} / _{+0.000}	3.500 ^{+0.000} / _{-0.002}	3.749 ^{+0.000} / _{-0.001}	3.750 ^{+0.002} / _{+0.000}	10.29
U12-3.62-18B	3-5/8	3-7/8	3/16	.206 ^{+0.015} / _{+0.000}	3.625 ^{+0.000} / _{-0.001}	3.626 ^{+0.002} / _{+0.000}	3.875 ^{+0.002} / _{+0.000}	3.625 ^{+0.000} / _{-0.002}	3.874 ^{+0.000} / _{-0.001}	3.875 ^{+0.002} / _{+0.000}	12.61
U12-3.75	3-3/4	4	1/8	.138 ^{+0.015} / _{+0.000}	3.750 ^{+0.000} / _{-0.001}	3.751 ^{+0.002} / _{+0.000}	4.000 ^{+0.002} / _{+0.000}	3.750 ^{+0.000} / _{-0.002}	3.999 ^{+0.000} / _{-0.001}	4.000 ^{+0.002} / _{+0.000}	14.82
U12-4.00	4	4-1/4	1/8	.138 ^{+0.015} / _{+0.000}	4.000 ^{+0.000} / _{-0.001}	4.001 ^{+0.002} / _{+0.000}	4.250 ^{+0.002} / _{+0.000}	4.000 ^{+0.000} / _{-0.002}	4.249 ^{+0.000} / _{-0.001}	4.250 ^{+0.002} / _{+0.000}	15.31
U12-4.25	4-1/4	4-1/2	1/8	.138 ^{+0.015} / _{+0.000}	4.250 ^{+0.000} / _{-0.001}	4.251 ^{+0.002} / _{+0.000}	4.500 ^{+0.002} / _{+0.000}	4.250 ^{+0.000} / _{-0.002}	4.499 ^{+0.000} / _{-0.001}	4.500 ^{+0.002} / _{+0.000}	15.37
U12-4.37	4-3/8	4-5/8	1/8	.138 ^{+0.015} / _{+0.000}	4.375 ^{+0.000} / _{-0.001}	4.376 ^{+0.002} / _{+0.000}	4.625 ^{+0.002} / _{+0.000}	4.375 ^{+0.000} / _{-0.002}	4.624 ^{+0.000} / _{-0.001}	4.625 ^{+0.002} / _{+0.000}	15.55
U12-4.50	4-1/2	4-3/4	1/8	.138 ^{+0.015} / _{+0.000}	4.500 ^{+0.000} / _{-0.001}	4.501 ^{+0.002} / _{+0.000}	4.750 ^{+0.002} / _{+0.000}	4.500 ^{+0.000} / _{-0.002}	4.749 ^{+0.000} / _{-0.001}	4.750 ^{+0.002} / _{+0.000}	19.45
U12-4.75	4-3/4	5	1/8	.138 ^{+0.015} / _{+0.000}	4.750 ^{+0.000} / _{-0.001}	4.751 ^{+0.002} / _{+0.000}	5.000 ^{+0.002} / _{+0.000}	4.750 ^{+0.000} / _{-0.002}	4.999 ^{+0.000} / _{-0.001}	5.000 ^{+0.002} / _{+0.000}	20.08
5/32" C/S											
U15-1.00	1	1-5/16	5/32	.172 ^{+0.015} / _{+0.000}	1.000 ^{+0.000} / _{-0.002}	1.001 ^{+0.002} / _{+0.000}	1.313 ^{+0.002} / _{+0.000}	1.000 ^{+0.000} / _{-0.002}	1.311 ^{+0.000} / _{-0.001}	1.313 ^{+0.002} / _{+0.000}	\$6.14
U15-1.00-SQB	1	1-5/16	5/32	.172 ^{+0.015} / _{+0.000}	1.000 ^{+0.000} / _{-0.002}	1.001 ^{+0.002} / _{+0.000}	1.313 ^{+0.002} / _{+0.000}	1.000 ^{+0.000} / _{-0.002}	1.311 ^{+0.000} / _{-0.001}	1.313 ^{+0.002} / _{+0.000}	7.91
U15-1.00CN	1	1-5/16	5/32	.172 ^{+0.015} / _{+0.000}	1.000 ^{+0.000} / _{-0.002}	1.001 ^{+0.002} / _{+0.000}	1.313 ^{+0.002} / _{+0.000}	1.000 ^{+0.000} / _{-0.002}	1.311 ^{+0.000} / _{-0.001}	1.313 ^{+0.002} / _{+0.000}	13.25
U15-1.00-23B	1	1-5/16	.23	.253 ^{+0.015} / _{+0.000}	1.000 ^{+0.000} / _{-0.002}	1.001 ^{+0.002} / _{+0.000}	1.313 ^{+0.002} / _{+0.000}	1.000 ^{+0.000} / _{-0.002}	1.311 ^{+0.000} / _{-0.001}	1.313 ^{+0.002} / _{+0.000}	7.16
U15-1.12	1-1/8	1-7/16	5/32	.172 ^{+0.015} / _{+0.000}	1.125 ^{+0.000} / _{-0.002}	1.126 ^{+0.002} / _{+0.000}	1.438 ^{+0.002} / _{+0.000}	1.125 ^{+0.000} / _{-0.002}	1.436 ^{+0.000} / _{-0.001}	1.438 ^{+0.002} / _{+0.000}	6.41
U15-1.18	1-3/16	1-1/2	5/32	.172 ^{+0.015} / _{+0.000}	1.187 ^{+0.000} / _{-0.002}	1.189 ^{+0.002} / _{+0.000}	1.500 ^{+0.002} / _{+0.000}	1.187 ^{+0.000} / _{-0.002}	1.499 ^{+0.000} / _{-0.001}	1.500 ^{+0.002} / _{+0.000}	6.29
U15-1.25	1-1/4	1-9/16	5/32	.172 ^{+0.015} / _{+0.000}	1.250 ^{+0.000} / _{-0.002}	1.251 ^{+0.002} / _{+0.000}	1.563 ^{+0.002} / _{+0.000}	1.250 ^{+0.000} / _{-0.002}	1.561 ^{+0.000} / _{-0.001}	1.563 ^{+0.002} / _{+0.000}	7.50
U15-1.37	1-3/8	1-11/16	5/32	.172 ^{+0.015} / _{+0.000}	1.375 ^{+0.000} / _{-0.002}	1.376 ^{+0.002} / _{+0.000}	1.688 ^{+0.002} / _{+0.000}	1.375 ^{+0.000} / _{-0.002}	1.686 ^{+0.000} / _{-0.001}	1.688 ^{+0.002} / _{+0.000}	8.03
U15-1.37-SQB	1-3/8	1-11/16	5/32	.172 ^{+0.015} / _{+0.000}	1.375 ^{+0.000} / _{-0.002}	1.376 ^{+0.002} / _{+0.000}	1.688 ^{+0.002} / _{+0.000}	1.375 ^{+0.000} / _{-0.002}	1.686 ^{+0.000} / _{-0.001}	1.688 ^{+0.002} / _{+0.000}	7.70
U15-1.37CN	1-3/8	1-11/16	5/32	.172 ^{+0.015} / _{+0.000}	1.375 ^{+0.000} / _{-0.002}	1.376 ^{+0.002} / _{+0.000}	1.688 ^{+0.002} / _{+0.000}	1.375 ^{+0.000} / _{-0.002}	1.686 ^{+0.000} / _{-0.001}	1.688 ^{+0.002} / _{+0.000}	14.94
U15-1.50-31B	1-1/2	1-13/16	5/16	.344 ^{+0.015} / _{+0.000}	1.500 ^{+0.000} / _{-0.002}	1.501 ^{+0.002} / _{+0.000}	1.813 ^{+0.002} / _{+0.000}	1.500 ^{+0.000} / _{-0.002}	1.811 ^{+0.000} / _{-0.001}	1.813 ^{+0.002} / _{+0.000}	8.56
3/16" C/S											
U18-0.18-SQB	3/16	9/16	3/16	.207 ^{+0.015} / _{+0.000}	.187 ^{+0.000} / _{-0.002}	.189 ^{+0.002} / _{+0.000}	.563 ^{+0.002} / _{+0.000}	.187 ^{+0.000} / _{-0.002}	.562 ^{+0.000} / _{-0.002}	.563 ^{+0.002} / _{+0.000}	\$8.03
U18-0.25-SQB	1/4	5/8	3/16	.207 ^{+0.015} / _{+0.000}	.250 ^{+0.000} / _{-0.002}	.251 ^{+0.002} / _{+0.000}	.625 ^{+0.002} / _{+0.000}	.250 ^{+0.000} / _{-0.002}	.624 ^{+0.000} / _{-0.002}	.625 ^{+0.002} / _{+0.000}	4.76
U18-0.31-SQB	5/16	11/16	3/16	.207 ^{+0.015} / _{+0.000}	.312 ^{+0.000} / _{-0.002}	.313 ^{+0.002} / _{+0.000}	.688 ^{+0.002} / _{+0.000}	.312 ^{+0.000} / _{-0.002}	.687 ^{+0.000} / _{-0.002}	.688 ^{+0.002} / _{+0.000}	4.73
U18-0.37	3/8	3/4	3/16	.207 ^{+0.015} / _{+0.000}	.375 ^{+0.000} / _{-0.002}	.376 ^{+0.002} / _{+0.000}	.750 ^{+0.002} / _{+0.000}	.375 ^{+0.000} / _{-0.002}	.749 ^{+0.000} / _{-0.002}	.750 ^{+0.002} / _{+0.000}	4.73
U18-0.37-SQB	3/8	3/4	3/16	.207 ^{+0.015} / _{+0.000}	.375 ^{+0.000} / _{-0.002}	.376 ^{+0.002} / _{+0.000}	.750 ^{+0.002} / _{+0.000}	.375 ^{+0.000} / _{-0.002}	.749 ^{+0.000} / _{-0.002}	.750 ^{+0.002} / _{+0.000}	4.73
U18-0.37-31B	3/8	3/4	5/16	.344 ^{+0.015} / _{+0.000}	.375 ^{+0.000} / _{-0.002}	.376 ^{+0.002} / _{+0.000}	.750 ^{+0.002} / _{+0.000}	.375 ^{+0.000} / _{-0.002}	.749 ^{+0.000} / _{-0.002}	.750 ^{+0.002} / _{+0.000}	5.49
U18-0.43	7/16	13/16	3/16	.207 ^{+0.015} / _{+0.000}	.437 ^{+0.000} / _{-0.002}	.439 ^{+0.002} / _{+0.000}	.813 ^{+0.002} / _{+0.000}	.437 ^{+0.000} / _{-0.002}	.812 ^{+0.000} / _{-0.002}	.813 ^{+0.002} / _{+0.000}	4.96
U18-0.50	1/2	7/8	3/16	.207 ^{+0.015} / _{+0.000}	.500 ^{+0.000} / _{-0.002}	.501 ^{+0.002} / _{+0.000}	.875 ^{+0.002} / _{+0.000}	.500 ^{+0.000} / _{-0.002}	.874 ^{+0.000} / _{-0.002}	.875 ^{+0.002} / _{+0.000}	4.96
U18-0.50-31B	1/2	7/8	5/16	.344 ^{+0.015} / _{+0.000}	.500 ^{+0.000} / _{-0.002}	.501 ^{+0.002} / _{+0.000}	.875 ^{+0.002} / _{+0.000}	.500 ^{+0.000} / _{-0.002}	.874 ^{+0.000} / _{-0.002}	.875 ^{+0.002} / _{+0.000}	4.81
U18-0.56	9/16	15/16	3/16	.207 ^{+0.015} / _{+0.000}	.562 ^{+0.000} / _{-0.002}	.564 ^{+0.002} / _{+0.000}	.938 ^{+0.002} / _{+0.000}	.562 ^{+0.000} / _{-0.002}	.937 ^{+0.000} / _{-0.002}	.938 ^{+0.002} / _{+0.000}	9.59

STYLE 800 POLYURETHANE U-SEALS

U-SEALS

Part Number	A Nom. ID	B Nom. OD	C Nom. Ht	D GROOVE WIDTH	E ROD DIAMETER	F THROAT DIAMETER	G HOUSING DIAMETER	H GROOVE DIAMETER	I PISTON DIAMETER	J BORE DIAMETER	List Price
U18-0.62	5/8	1	3/16	.207 ^{+0.015} / _{+0.000}	.625 ^{+0.000} / _{-0.002}	.626 ^{+0.002} / _{+0.000}	1.000 ^{+0.002} / _{+0.000}	.625 ^{+0.000} / _{-0.002}	.999 ^{+0.000} / _{-0.002}	1.000 ^{+0.002} / _{+0.000}	5.01
U18-0.62-SQB	5/8	1	3/16	.207 ^{+0.015} / _{+0.000}	.625 ^{+0.000} / _{-0.002}	.626 ^{+0.002} / _{+0.000}	1.000 ^{+0.002} / _{+0.000}	.625 ^{+0.000} / _{-0.002}	.999 ^{+0.000} / _{-0.002}	1.000 ^{+0.002} / _{+0.000}	5.01
U18-0.62-31B	5/8	1	5/16	.344 ^{+0.015} / _{+0.000}	.625 ^{+0.000} / _{-0.002}	.626 ^{+0.002} / _{+0.000}	1.000 ^{+0.002} / _{+0.000}	.625 ^{+0.000} / _{-0.002}	.999 ^{+0.000} / _{-0.002}	1.000 ^{+0.002} / _{+0.000}	5.63
U18-0.62-31D	5/8	1	5/16	.344 ^{+0.015} / _{+0.000}	.625 ^{+0.000} / _{-0.002}	.626 ^{+0.002} / _{+0.000}	1.000 ^{+0.002} / _{+0.000}	.625 ^{+0.000} / _{-0.002}	.999 ^{+0.000} / _{-0.002}	1.000 ^{+0.002} / _{+0.000}	10.51
U18-0.68	11/16	1-1/16	3/16	.207 ^{+0.015} / _{+0.000}	.687 ^{+0.000} / _{-0.002}	.689 ^{+0.002} / _{+0.000}	1.063 ^{+0.002} / _{+0.000}	.687 ^{+0.000} / _{-0.002}	1.061 ^{+0.000} / _{-0.002}	1.063 ^{+0.002} / _{+0.000}	5.22
U18-0.75	3/4	1-1/8	3/16	.207 ^{+0.015} / _{+0.000}	.750 ^{+0.000} / _{-0.002}	.751 ^{+0.002} / _{+0.000}	1.125 ^{+0.002} / _{+0.000}	.750 ^{+0.000} / _{-0.002}	1.124 ^{+0.000} / _{-0.002}	1.125 ^{+0.002} / _{+0.000}	5.33
U18-0.75-SQB	3/4	1-1/8	3/16	.207 ^{+0.015} / _{+0.000}	.750 ^{+0.000} / _{-0.002}	.751 ^{+0.002} / _{+0.000}	1.125 ^{+0.002} / _{+0.000}	.750 ^{+0.000} / _{-0.002}	1.124 ^{+0.000} / _{-0.002}	1.125 ^{+0.002} / _{+0.000}	5.33
U18-0.75-31B	3/4	1-1/8	5/16	.344 ^{+0.015} / _{+0.000}	.750 ^{+0.000} / _{-0.002}	.751 ^{+0.002} / _{+0.000}	1.125 ^{+0.002} / _{+0.000}	.750 ^{+0.000} / _{-0.002}	1.124 ^{+0.000} / _{-0.002}	1.125 ^{+0.002} / _{+0.000}	6.14
U18-0.75-31D	3/4	1-1/8	5/16	.344 ^{+0.015} / _{+0.000}	.750 ^{+0.000} / _{-0.002}	.751 ^{+0.002} / _{+0.000}	1.125 ^{+0.002} / _{+0.000}	.750 ^{+0.000} / _{-0.002}	1.124 ^{+0.000} / _{-0.002}	1.125 ^{+0.002} / _{+0.000}	6.14
U18-0.81	13/16	1-3/16	3/16	.207 ^{+0.015} / _{+0.000}	.812 ^{+0.000} / _{-0.002}	.814 ^{+0.002} / _{+0.000}	1.188 ^{+0.002} / _{+0.000}	.812 ^{+0.000} / _{-0.002}	1.187 ^{+0.000} / _{-0.002}	1.188 ^{+0.002} / _{+0.000}	5.63
U18-0.81-31B	13/16	1-3/16	5/16	.344 ^{+0.015} / _{+0.000}	.812 ^{+0.000} / _{-0.002}	.814 ^{+0.002} / _{+0.000}	1.188 ^{+0.002} / _{+0.000}	.812 ^{+0.000} / _{-0.002}	1.187 ^{+0.000} / _{-0.002}	1.188 ^{+0.002} / _{+0.000}	6.37
U18-0.87	7/8	1-1/4	3/16	.207 ^{+0.015} / _{+0.000}	.875 ^{+0.000} / _{-0.002}	.876 ^{+0.002} / _{+0.000}	1.250 ^{+0.002} / _{+0.000}	.875 ^{+0.000} / _{-0.002}	1.249 ^{+0.000} / _{-0.002}	1.250 ^{+0.002} / _{+0.000}	5.87
U18-0.87-SQB	7/8	1-1/4	3/16	.207 ^{+0.015} / _{+0.000}	.875 ^{+0.000} / _{-0.002}	.876 ^{+0.002} / _{+0.000}	1.250 ^{+0.002} / _{+0.000}	.875 ^{+0.000} / _{-0.002}	1.249 ^{+0.000} / _{-0.002}	1.250 ^{+0.002} / _{+0.000}	5.87
U18-0.87-31B	7/8	1-1/4	5/16	.344 ^{+0.015} / _{+0.000}	.875 ^{+0.000} / _{-0.002}	.876 ^{+0.002} / _{+0.000}	1.250 ^{+0.002} / _{+0.000}	.875 ^{+0.000} / _{-0.002}	1.249 ^{+0.000} / _{-0.002}	1.250 ^{+0.002} / _{+0.000}	6.51
U18-0.93	15/16	1-5/16	3/16	.207 ^{+0.015} / _{+0.000}	.937 ^{+0.000} / _{-0.002}	.939 ^{+0.002} / _{+0.000}	1.313 ^{+0.002} / _{+0.000}	.937 ^{+0.000} / _{-0.002}	1.311 ^{+0.000} / _{-0.002}	1.313 ^{+0.002} / _{+0.000}	6.04
U18-1.00	1	1-3/8	3/16	.207 ^{+0.015} / _{+0.000}	1.000 ^{+0.000} / _{-0.002}	1.001 ^{+0.002} / _{+0.000}	1.375 ^{+0.002} / _{+0.000}	1.000 ^{+0.000} / _{-0.002}	1.374 ^{+0.000} / _{-0.002}	1.375 ^{+0.002} / _{+0.000}	5.84
U18-1.00-SQB	1	1-3/8	3/16	.207 ^{+0.015} / _{+0.000}	1.000 ^{+0.000} / _{-0.002}	1.001 ^{+0.002} / _{+0.000}	1.375 ^{+0.002} / _{+0.000}	1.000 ^{+0.000} / _{-0.002}	1.374 ^{+0.000} / _{-0.002}	1.375 ^{+0.002} / _{+0.000}	5.84
U18-1.00-25B	1	1-3/8	1/4	.275 ^{+0.015} / _{+0.000}	1.000 ^{+0.000} / _{-0.002}	1.001 ^{+0.002} / _{+0.000}	1.375 ^{+0.002} / _{+0.000}	1.000 ^{+0.000} / _{-0.002}	1.374 ^{+0.000} / _{-0.002}	1.375 ^{+0.002} / _{+0.000}	6.54
U18-1.00-31B	1	1-3/8	5/16	.344 ^{+0.015} / _{+0.000}	1.000 ^{+0.000} / _{-0.002}	1.001 ^{+0.002} / _{+0.000}	1.375 ^{+0.002} / _{+0.000}	1.000 ^{+0.000} / _{-0.002}	1.374 ^{+0.000} / _{-0.002}	1.375 ^{+0.002} / _{+0.000}	6.54
U18-1.00-31D	1	1-3/8	5/16	.344 ^{+0.015} / _{+0.000}	1.000 ^{+0.000} / _{-0.002}	1.001 ^{+0.002} / _{+0.000}	1.375 ^{+0.002} / _{+0.000}	1.000 ^{+0.000} / _{-0.002}	1.374 ^{+0.000} / _{-0.002}	1.375 ^{+0.002} / _{+0.000}	7.60
U18-1.00-37B	1	1-3/8	3/8	.413 ^{+0.015} / _{+0.000}	1.000 ^{+0.000} / _{-0.002}	1.001 ^{+0.002} / _{+0.000}	1.375 ^{+0.002} / _{+0.000}	1.000 ^{+0.000} / _{-0.002}	1.374 ^{+0.000} / _{-0.002}	1.375 ^{+0.002} / _{+0.000}	6.77
U18-1.06	1-1/16	1-7/16	3/16	.207 ^{+0.015} / _{+0.000}	1.062 ^{+0.000} / _{-0.002}	1.063 ^{+0.002} / _{+0.000}	1.438 ^{+0.002} / _{+0.000}	1.062 ^{+0.000} / _{-0.002}	1.437 ^{+0.000} / _{-0.002}	1.438 ^{+0.002} / _{+0.000}	6.03
U18-1.06-31B	1-1/16	1-7/16	5/16	.344 ^{+0.015} / _{+0.000}	1.062 ^{+0.000} / _{-0.002}	1.063 ^{+0.002} / _{+0.000}	1.438 ^{+0.002} / _{+0.000}	1.062 ^{+0.000} / _{-0.002}	1.436 ^{+0.000} / _{-0.002}	1.438 ^{+0.002} / _{+0.000}	6.64
U18-1.12	1-1/8	1-1/2	3/16	.207 ^{+0.015} / _{+0.000}	1.125 ^{+0.000} / _{-0.002}	1.126 ^{+0.002} / _{+0.000}	1.500 ^{+0.002} / _{+0.000}	1.125 ^{+0.000} / _{-0.002}	1.499 ^{+0.000} / _{-0.002}	1.500 ^{+0.002} / _{+0.000}	6.13
U18-1.12-SQB	1-1/8	1-1/2	3/16	.207 ^{+0.015} / _{+0.000}	1.125 ^{+0.000} / _{-0.002}	1.126 ^{+0.002} / _{+0.000}	1.500 ^{+0.002} / _{+0.000}	1.125 ^{+0.000} / _{-0.002}	1.499 ^{+0.000} / _{-0.002}	1.500 ^{+0.002} / _{+0.000}	6.13
U18-1.12-25B	1-1/8	1-1/2	1/4	.275 ^{+0.015} / _{+0.000}	1.125 ^{+0.000} / _{-0.002}	1.126 ^{+0.002} / _{+0.000}	1.500 ^{+0.002} / _{+0.000}	1.125 ^{+0.000} / _{-0.002}	1.499 ^{+0.000} / _{-0.002}	1.500 ^{+0.002} / _{+0.000}	6.84
U18-1.12-31B	1-1/8	1-1/2	5/16	.344 ^{+0.015} / _{+0.000}	1.125 ^{+0.000} / _{-0.002}	1.126 ^{+0.002} / _{+0.000}	1.500 ^{+0.002} / _{+0.000}	1.125 ^{+0.000} / _{-0.002}	1.499 ^{+0.000} / _{-0.002}	1.500 ^{+0.002} / _{+0.000}	6.84
U18-1.12-31D	1-1/8	1-1/2	5/16	.344 ^{+0.015} / _{+0.000}	1.125 ^{+0.000} / _{-0.002}	1.126 ^{+0.002} / _{+0.000}	1.500 ^{+0.002} / _{+0.000}	1.125 ^{+0.000} / _{-0.002}	1.499 ^{+0.000} / _{-0.002}	1.500 ^{+0.002} / _{+0.000}	6.84
U18-1.12-37B	1-1/8	1-1/2	3/8	.413 ^{+0.015} / _{+0.000}	1.125 ^{+0.000} / _{-0.002}	1.126 ^{+0.002} / _{+0.000}	1.500 ^{+0.002} / _{+0.000}	1.125 ^{+0.000} / _{-0.002}	1.499 ^{+0.000} / _{-0.002}	1.500 ^{+0.002} / _{+0.000}	7.60
U18-1.18	1-3/16	1-9/16	3/16	.207 ^{+0.015} / _{+0.000}	1.187 ^{+0.000} / _{-0.002}	1.189 ^{+0.002} / _{+0.000}	1.563 ^{+0.002} / _{+0.000}	1.187 ^{+0.000} / _{-0.002}	1.561 ^{+0.000} / _{-0.002}	1.563 ^{+0.002} / _{+0.000}	6.36
U18-1.18-25B	1-3/16	1-9/16	1/4	.275 ^{+0.015} / _{+0.000}	1.187 ^{+0.000} / _{-0.002}	1.189 ^{+0.002} / _{+0.000}	1.563 ^{+0.002} / _{+0.000}	1.187 ^{+0.000} / _{-0.002}	1.561 ^{+0.000} / _{-0.002}	1.563 ^{+0.002} / _{+0.000}	7.00
U18-1.18-31B	1-3/16	1-9/16	5/16	.344 ^{+0.015} / _{+0.000}	1.187 ^{+0.000} / _{-0.002}	1.189 ^{+0.002} / _{+0.000}	1.563 ^{+0.002} / _{+0.000}	1.187 ^{+0.000} / _{-0.002}	1.561 ^{+0.000} / _{-0.002}	1.563 ^{+0.002} / _{+0.000}	8.18
U18-1.25	1-1/4	1-5/8	3/16	.207 ^{+0.015} / _{+0.000}	1.250 ^{+0.000} / _{-0.002}	1.251 ^{+0.002} / _{+0.000}	1.625 ^{+0.002} / _{+0.000}	1.250 ^{+0.000} / _{-0.002}	1.624 ^{+0.000} / _{-0.002}	1.625 ^{+0.002} / _{+0.000}	6.38

STYLE 800 POLYURETHANE U-SEALS

U-SEALS

Part Number	A Nom. ID	B Nom. OD	C Nom. Ht	D GROOVE WIDTH	E ROD DIAMETER	F THROAT DIAMETER	G HOUSING DIAMETER	H GROOVE DIAMETER	I PISTON DIAMETER	J BORE DIAMETER	List Price
U18-1.25-SQB	1-1/4	1-5/8	3/16	.207 ^{+0.015} / _{+0.000}	1.250 ^{+0.000} / _{-.002}	1.251 ^{+0.002} / _{+0.000}	1.625 ^{+0.002} / _{+0.000}	1.250 ^{+0.000} / _{-.002}	1.624 ^{+0.000} / _{-.002}	1.625 ^{+0.002} / _{+0.000}	6.38
U18-1.25-25B	1-1/4	1-5/8	1/4	.275 ^{+0.015} / _{+0.000}	1.250 ^{+0.000} / _{-.002}	1.251 ^{+0.002} / _{+0.000}	1.625 ^{+0.002} / _{+0.000}	1.250 ^{+0.000} / _{-.002}	1.624 ^{+0.000} / _{-.002}	1.625 ^{+0.002} / _{+0.000}	7.38
U18-1.25-26B	1-1/4	1-5/8	.26	.286 ^{+0.015} / _{+0.000}	1.250 ^{+0.000} / _{-.002}	1.251 ^{+0.002} / _{+0.000}	1.625 ^{+0.002} / _{+0.000}	1.250 ^{+0.000} / _{-.002}	1.624 ^{+0.000} / _{-.002}	1.625 ^{+0.002} / _{+0.000}	7.01
U18-1.25-31B	1-1/4	1-5/8	5/16	.344 ^{+0.015} / _{+0.000}	1.250 ^{+0.000} / _{-.002}	1.251 ^{+0.002} / _{+0.000}	1.625 ^{+0.002} / _{+0.000}	1.250 ^{+0.000} / _{-.002}	1.624 ^{+0.000} / _{-.002}	1.625 ^{+0.002} / _{+0.000}	6.50
U18-1.25-31D	1-1/4	1-5/8	5/16	.344 ^{+0.015} / _{+0.000}	1.250 ^{+0.000} / _{-.002}	1.251 ^{+0.002} / _{+0.000}	1.625 ^{+0.002} / _{+0.000}	1.250 ^{+0.000} / _{-.002}	1.624 ^{+0.000} / _{-.002}	1.625 ^{+0.002} / _{+0.000}	6.50
U18-1.25-37B	1-1/4	1-5/8	3/8	.413 ^{+0.015} / _{+0.000}	1.250 ^{+0.000} / _{-.002}	1.251 ^{+0.002} / _{+0.000}	1.625 ^{+0.002} / _{+0.000}	1.250 ^{+0.000} / _{-.002}	1.624 ^{+0.000} / _{-.002}	1.625 ^{+0.002} / _{+0.000}	7.28
U18-1.31	1-5/16	1-11/16	3/16	.207 ^{+0.015} / _{+0.000}	1.312 ^{+0.000} / _{-.002}	1.313 ^{+0.002} / _{+0.000}	1.688 ^{+0.002} / _{+0.000}	1.312 ^{+0.000} / _{-.002}	1.686 ^{+0.000} / _{-.002}	1.688 ^{+0.002} / _{+0.000}	6.84
U18-1.31-SQB	1-5/16	1-11/16	3/16	.207 ^{+0.015} / _{+0.000}	1.312 ^{+0.000} / _{-.002}	1.313 ^{+0.002} / _{+0.000}	1.688 ^{+0.002} / _{+0.000}	1.312 ^{+0.000} / _{-.002}	1.686 ^{+0.000} / _{-.002}	1.688 ^{+0.002} / _{+0.000}	6.84
U18-1.31-31B	1-5/16	1-11/16	5/16	.344 ^{+0.015} / _{+0.000}	1.312 ^{+0.000} / _{-.002}	1.313 ^{+0.002} / _{+0.000}	1.688 ^{+0.002} / _{+0.000}	1.312 ^{+0.000} / _{-.002}	1.686 ^{+0.000} / _{-.002}	1.688 ^{+0.002} / _{+0.000}	7.28
U18-1.37	1-3/8	1-3/4	3/16	.207 ^{+0.015} / _{+0.000}	1.375 ^{+0.000} / _{-.002}	1.376 ^{+0.002} / _{+0.000}	1.750 ^{+0.002} / _{+0.000}	1.375 ^{+0.000} / _{-.002}	1.749 ^{+0.000} / _{-.002}	1.750 ^{+0.002} / _{+0.000}	6.64
U18-1.37-SQB	1-3/8	1-3/4	3/16	.207 ^{+0.015} / _{+0.000}	1.375 ^{+0.000} / _{-.002}	1.376 ^{+0.002} / _{+0.000}	1.750 ^{+0.002} / _{+0.000}	1.375 ^{+0.000} / _{-.002}	1.749 ^{+0.000} / _{-.002}	1.750 ^{+0.002} / _{+0.000}	6.64
U18-1.37-25B	1-3/8	1-3/4	1/4	.275 ^{+0.015} / _{+0.000}	1.375 ^{+0.000} / _{-.002}	1.376 ^{+0.002} / _{+0.000}	1.750 ^{+0.002} / _{+0.000}	1.375 ^{+0.000} / _{-.002}	1.749 ^{+0.000} / _{-.002}	1.750 ^{+0.002} / _{+0.000}	7.77
U18-1.37-26B	1-3/8	1-3/4	.266	.286 ^{+0.015} / _{+0.000}	1.375 ^{+0.000} / _{-.002}	1.313 ^{+0.002} / _{+0.000}	1.750 ^{+0.002} / _{+0.000}	1.375 ^{+0.000} / _{-.002}	1.749 ^{+0.000} / _{-.002}	1.750 ^{+0.002} / _{+0.000}	7.47
U18-1.37-31B	1-3/8	1-3/4	5/16	.344 ^{+0.015} / _{+0.000}	1.375 ^{+0.000} / _{-.002}	1.376 ^{+0.002} / _{+0.000}	1.750 ^{+0.002} / _{+0.000}	1.375 ^{+0.000} / _{-.002}	1.749 ^{+0.000} / _{-.002}	1.750 ^{+0.002} / _{+0.000}	7.43
U18-1.37-31D	1-3/8	1-3/4	5/16	.344 ^{+0.015} / _{+0.000}	1.375 ^{+0.000} / _{-.002}	1.376 ^{+0.002} / _{+0.000}	1.750 ^{+0.002} / _{+0.000}	1.375 ^{+0.000} / _{-.002}	1.749 ^{+0.000} / _{-.002}	1.750 ^{+0.002} / _{+0.000}	8.65
U18-1.37-37B	1-3/8	1-3/4	3/8	.413 ^{+0.015} / _{+0.000}	1.375 ^{+0.000} / _{-.002}	1.376 ^{+0.002} / _{+0.000}	1.750 ^{+0.002} / _{+0.000}	1.375 ^{+0.000} / _{-.002}	1.749 ^{+0.000} / _{-.002}	1.750 ^{+0.002} / _{+0.000}	7.75
U18-1.43	1-7/16	1-13/16	3/16	.207 ^{+0.015} / _{+0.000}	1.437 ^{+0.000} / _{-.002}	1.439 ^{+0.002} / _{+0.000}	1.813 ^{+0.002} / _{+0.000}	1.437 ^{+0.000} / _{-.002}	1.811 ^{+0.000} / _{-.002}	1.813 ^{+0.002} / _{+0.000}	7.00
U18-1.50	1-1/2	1-7/8	3/16	.207 ^{+0.015} / _{+0.000}	1.500 ^{+0.000} / _{-.002}	1.501 ^{+0.002} / _{+0.000}	1.875 ^{+0.002} / _{+0.000}	1.500 ^{+0.000} / _{-.002}	1.874 ^{+0.000} / _{-.002}	1.875 ^{+0.002} / _{+0.000}	6.67
U18-1.50-SQB	1-1/2	1-7/8	3/16	.207 ^{+0.015} / _{+0.000}	1.500 ^{+0.000} / _{-.002}	1.501 ^{+0.002} / _{+0.000}	1.875 ^{+0.002} / _{+0.000}	1.500 ^{+0.000} / _{-.002}	1.874 ^{+0.000} / _{-.002}	1.875 ^{+0.002} / _{+0.000}	6.67
U18-1.50-25B	1-1/2	1-7/8	1/4	.275 ^{+0.015} / _{+0.000}	1.500 ^{+0.000} / _{-.002}	1.501 ^{+0.002} / _{+0.000}	1.875 ^{+0.002} / _{+0.000}	1.500 ^{+0.000} / _{-.002}	1.874 ^{+0.000} / _{-.002}	1.875 ^{+0.002} / _{+0.000}	7.52
U18-1.50-26B	1-1/2	1-7/8	.26	.286 ^{+0.015} / _{+0.000}	1.500 ^{+0.000} / _{-.002}	1.501 ^{+0.002} / _{+0.000}	1.875 ^{+0.002} / _{+0.000}	1.500 ^{+0.000} / _{-.002}	1.874 ^{+0.000} / _{-.002}	1.875 ^{+0.002} / _{+0.000}	7.54
U18-1.50-29F	1-1/2	1-7/8	19/64	.327 ^{+0.015} / _{+0.000}	1.500 ^{+0.000} / _{-.002}	1.501 ^{+0.002} / _{+0.000}	1.875 ^{+0.002} / _{+0.000}	1.500 ^{+0.000} / _{-.002}	1.874 ^{+0.000} / _{-.002}	1.875 ^{+0.002} / _{+0.000}	16.20
U18-1.50-31B	1-1/2	1-7/8	5/16	.344 ^{+0.015} / _{+0.000}	1.500 ^{+0.000} / _{-.002}	1.501 ^{+0.002} / _{+0.000}	1.875 ^{+0.002} / _{+0.000}	1.500 ^{+0.000} / _{-.002}	1.874 ^{+0.000} / _{-.002}	1.875 ^{+0.002} / _{+0.000}	7.54
U18-1.50-37B	1-1/2	1-7/8	3/8	.413 ^{+0.015} / _{+0.000}	1.500 ^{+0.000} / _{-.002}	1.501 ^{+0.002} / _{+0.000}	1.875 ^{+0.002} / _{+0.000}	1.500 ^{+0.000} / _{-.002}	1.874 ^{+0.000} / _{-.002}	1.875 ^{+0.002} / _{+0.000}	7.54
U18-1.50-37D	1-1/2	1-7/8	3/8	.413 ^{+0.015} / _{+0.000}	1.500 ^{+0.000} / _{-.002}	1.501 ^{+0.002} / _{+0.000}	1.875 ^{+0.002} / _{+0.000}	1.500 ^{+0.000} / _{-.002}	1.874 ^{+0.000} / _{-.002}	1.875 ^{+0.002} / _{+0.000}	7.54
U18-1.56-37B	1-9/16	1-15/16	3/8	.413 ^{+0.015} / _{+0.000}	1.562 ^{+0.000} / _{-.002}	1.564 ^{+0.002} / _{+0.000}	1.938 ^{+0.002} / _{+0.000}	1.562 ^{+0.000} / _{-.002}	1.936 ^{+0.000} / _{-.002}	1.938 ^{+0.002} / _{+0.000}	7.84
U18-1.62	1-5/8	2	3/16	.207 ^{+0.015} / _{+0.000}	1.625 ^{+0.000} / _{-.002}	1.626 ^{+0.002} / _{+0.000}	2.000 ^{+0.002} / _{+0.000}	1.625 ^{+0.000} / _{-.002}	1.999 ^{+0.000} / _{-.002}	2.000 ^{+0.002} / _{+0.000}	7.11
U18-1.62-SQB	1-5/8	2	3/16	.207 ^{+0.015} / _{+0.000}	1.625 ^{+0.000} / _{-.002}	1.626 ^{+0.002} / _{+0.000}	2.000 ^{+0.002} / _{+0.000}	1.625 ^{+0.000} / _{-.002}	1.999 ^{+0.000} / _{-.002}	2.000 ^{+0.002} / _{+0.000}	7.11
U18-1.62-25B	1-5/8	2	1/4	.275 ^{+0.015} / _{+0.000}	1.625 ^{+0.000} / _{-.002}	1.626 ^{+0.002} / _{+0.000}	2.000 ^{+0.002} / _{+0.000}	1.625 ^{+0.000} / _{-.002}	1.999 ^{+0.000} / _{-.002}	2.000 ^{+0.002} / _{+0.000}	8.43
U18-1.62-31B	1-5/8	2	5/16	.344 ^{+0.015} / _{+0.000}	1.625 ^{+0.000} / _{-.002}	1.626 ^{+0.002} / _{+0.000}	2.000 ^{+0.002} / _{+0.000}	1.625 ^{+0.000} / _{-.002}	1.999 ^{+0.000} / _{-.002}	2.000 ^{+0.002} / _{+0.000}	8.43
U18-1.62-37B	1-5/8	2	3/8	.413 ^{+0.015} / _{+0.000}	1.625 ^{+0.000} / _{-.002}	1.626 ^{+0.002} / _{+0.000}	2.000 ^{+0.002} / _{+0.000}	1.625 ^{+0.000} / _{-.002}	1.999 ^{+0.000} / _{-.002}	2.000 ^{+0.002} / _{+0.000}	8.43
U18-1.62-37D	1-5/8	2	3/8	.413 ^{+0.015} / _{+0.000}	1.625 ^{+0.000} / _{-.002}	1.626 ^{+0.002} / _{+0.000}	2.000 ^{+0.002} / _{+0.000}	1.625 ^{+0.000} / _{-.002}	1.999 ^{+0.000} / _{-.002}	2.000 ^{+0.002} / _{+0.000}	8.43
U18-1.68	1-11/16	2-1/16	3/16	.207 ^{+0.015} / _{+0.000}	1.687 ^{+0.000} / _{-.002}	1.689 ^{+0.002} / _{+0.000}	2.063 ^{+0.002} / _{+0.000}	1.687 ^{+0.000} / _{-.002}	2.061 ^{+0.000} / _{-.002}	2.063 ^{+0.002} / _{+0.000}	7.51

STYLE 800 POLYURETHANE U-SEALS

U-SEALS

Part Number	A Nom. ID	B Nom. OD	C Nom. Ht	D GROOVE WIDTH	E ROD DIAMETER	F THROAT DIAMETER	G HOUSING DIAMETER	H GROOVE DIAMETER	I PISTON DIAMETER	J BORE DIAMETER	List Price
U18-1.75	1-3/4	2-1/8	3/16	.207 +.015 +0.000	1.750 +.000 -.002	1.751 +.002 +0.000	2.125 +.002 +0.000	1.750 +.000 -.002	2.124 +.000 -.002	2.125 +.002 +0.000	7.26
U18-1.75-SQB	1-3/4	2-1/8	3/16	.207 +.015 +0.000	1.750 +.000 -.002	1.751 +.002 +0.000	2.125 +.002 +0.000	1.750 +.000 -.002	2.124 +.000 -.002	2.125 +.002 +0.000	7.26
U18-1.75CN	1-3/4	2-1/8	3/16	.207 +.015 +0.000	1.750 +.000 -.002	1.751 +.002 +0.000	2.125 +.002 +0.000	1.750 +.000 -.002	2.124 +.000 -.002	2.125 +.002 +0.000	12.03
U18-1.75-25B	1-3/4	2-1/8	1/4	.275 +.015 +0.000	1.750 +.000 -.002	1.751 +.002 +0.000	2.125 +.002 +0.000	1.750 +.000 -.002	2.124 +.000 -.002	2.125 +.002 +0.000	10.11
U18-1.75-26B	1-3/4	2-1/8	.26	.286 +.015 +0.000	1.750 +.000 -.002	1.751 +.002 +0.000	2.125 +.002 +0.000	1.750 +.000 -.002	2.124 +.000 -.002	2.125 +.002 +0.000	8.55
U18-1.75-31B	1-3/4	2-1/8	5/16	.344 +.015 +0.000	1.750 +.000 -.002	1.751 +.002 +0.000	2.125 +.002 +0.000	1.750 +.000 -.002	2.124 +.000 -.002	2.125 +.002 +0.000	8.91
U18-1.75-31D	1-3/4	2-1/8	5/16	.344 +.015 +0.000	1.750 +.000 -.002	1.751 +.002 +0.000	2.125 +.002 +0.000	1.750 +.000 -.002	2.124 +.000 -.002	2.125 +.002 +0.000	9.71
U18-1.75-37B	1-3/4	2-1/8	3/8	.413 +.015 +0.000	1.750 +.000 -.002	1.751 +.002 +0.000	2.125 +.002 +0.000	1.750 +.000 -.002	2.124 +.000 -.002	2.125 +.002 +0.000	8.55
U18-1.75-37D	1-3/4	2-1/8	3/8	.413 +.015 +0.000	1.750 +.000 -.002	1.751 +.002 +0.000	2.125 +.002 +0.000	1.750 +.000 -.002	2.124 +.000 -.002	2.125 +.002 +0.000	9.95
U18-1.75-37DF	1-3/4	2-1/8	3/8	.413 +.015 +0.000	1.750 +.000 -.002	1.751 +.002 +0.000	2.125 +.002 +0.000	1.750 +.000 -.002	2.124 +.000 -.002	2.125 +.002 +0.000	15.96
U18-1.87	1-7/8	2-1/4	3/16	.207 +.015 +0.000	1.875 +.000 -.002	1.876 +.002 +0.000	2.250 +.002 +0.000	1.875 +.000 -.002	2.249 +.000 -.002	2.250 +.002 +0.000	7.43
U18-1.87-SQB	1-7/8	2-1/4	3/16	.207 +.015 +0.000	1.875 +.000 -.002	1.876 +.002 +0.000	2.250 +.002 +0.000	1.875 +.000 -.002	2.249 +.000 -.002	2.250 +.002 +0.000	7.43
U18-1.87-25D	1-7/8	2-1/4	1/4	.275 +.015 +0.000	1.875 +.000 -.002	1.876 +.002 +0.000	2.250 +.002 +0.000	1.875 +.000 -.002	2.249 +.000 -.002	2.250 +.002 +0.000	9.46
U18-1.87-26B	1-7/8	2-1/4	.26	.286 +.015 +0.000	1.875 +.000 -.002	1.876 +.002 +0.000	2.250 +.002 +0.000	1.875 +.000 -.002	2.249 +.000 -.002	2.250 +.002 +0.000	9.02
U18-1.87-31B	1-7/8	2-1/4	5/16	.344 +.015 +0.000	1.875 +.000 -.002	1.876 +.002 +0.000	2.250 +.002 +0.000	1.875 +.000 -.002	2.249 +.000 -.002	2.250 +.002 +0.000	9.02
U18-1.87-37B	1-7/8	2-1/4	3/8	.413 +.015 +0.000	1.875 +.000 -.002	1.876 +.002 +0.000	2.250 +.002 +0.000	1.875 +.000 -.002	2.249 +.000 -.002	2.250 +.002 +0.000	9.02
U18-1.87-37D	1-7/8	2-1/4	3/8	.413 +.015 +0.000	1.875 +.000 -.002	1.876 +.002 +0.000	2.250 +.002 +0.000	1.875 +.000 -.002	2.249 +.000 -.002	2.250 +.002 +0.000	9.46
U18-2.00	2	2-3/8	3/16	.207 +.015 +0.000	2.000 +.000 -.002	2.001 +.002 +0.000	2.375 +.002 +0.000	2.000 +.000 -.002	2.374 +.000 -.002	2.375 +.002 +0.000	7.54
U18-2.00-SQB	2	2-3/8	3/16	.207 +.015 +0.000	2.000 +.000 -.002	2.001 +.002 +0.000	2.375 +.002 +0.000	2.000 +.000 -.002	2.374 +.000 -.002	2.375 +.002 +0.000	7.54
U18-2.00CN	2	2-3/8	3/16	.207 +.015 +0.000	2.000 +.000 -.002	2.001 +.002 +0.000	2.375 +.002 +0.000	2.000 +.000 -.002	2.374 +.000 -.002	2.375 +.002 +0.000	16.19
U18-2.00-25B	2	2-3/8	1/4	.275 +.015 +0.000	2.000 +.000 -.002	2.001 +.002 +0.000	2.375 +.002 +0.000	2.000 +.000 -.002	2.374 +.000 -.002	2.375 +.002 +0.000	9.48
U18-2.00-27D	2	2-3/8	.27	.297 +.015 +0.000	2.000 +.000 -.002	2.001 +.002 +0.000	2.375 +.002 +0.000	2.000 +.000 -.002	2.374 +.000 -.002	2.375 +.002 +0.000	11.62
U18-2.00-31B	2	2-3/8	5/16	.344 +.015 +0.000	2.000 +.000 -.002	2.001 +.002 +0.000	2.375 +.002 +0.000	2.000 +.000 -.002	2.374 +.000 -.002	2.375 +.002 +0.000	9.48
U18-2.00-37B	2	2-3/8	3/8	.413 +.015 +0.000	2.000 +.000 -.002	2.001 +.002 +0.000	2.375 +.002 +0.000	2.000 +.000 -.002	2.374 +.000 -.002	2.375 +.002 +0.000	9.48
U18-2.00-37D	2	2-3/8	3/8	.413 +.015 +0.000	2.000 +.000 -.002	2.001 +.002 +0.000	2.375 +.002 +0.000	2.000 +.000 -.002	2.374 +.000 -.002	2.375 +.002 +0.000	11.40
U18-2.06	2-1/16	2-7/16	3/16	.207 +.015 +0.000	2.062 +.000 -.002	2.063 +.002 +0.000	2.438 +.002 +0.000	2.062 +.000 -.002	2.436 +.000 -.002	2.438 +.002 +0.000	8.11
U18-2.12	2-1/8	2-1/2	3/16	.207 +.015 +0.000	2.125 +.000 -.002	2.126 +.002 +0.000	2.500 +.002 +0.000	2.125 +.000 -.002	2.499 +.000 -.002	2.500 +.002 +0.000	7.79
U18-2.12-SQB	2-1/8	2-1/2	3/16	.207 +.015 +0.000	2.125 +.000 -.002	2.126 +.002 +0.000	2.500 +.002 +0.000	2.125 +.000 -.002	2.499 +.000 -.002	2.500 +.002 +0.000	7.79
U18-2.12-25B	2-1/8	2-1/2	1/4	.275 +.015 +0.000	2.125 +.000 -.002	2.126 +.002 +0.000	2.500 +.002 +0.000	2.125 +.000 -.002	2.499 +.000 -.002	2.500 +.002 +0.000	9.81
U18-2.12-26B	2-1/8	2-1/2	.26	.286 +.015 +0.000	2.125 +.000 -.002	2.126 +.002 +0.000	2.500 +.002 +0.000	2.125 +.000 -.002	2.499 +.000 -.002	2.500 +.002 +0.000	10.26
U18-2.12-31B	2-1/8	2-1/2	5/16	.344 +.015 +0.000	2.125 +.000 -.002	2.126 +.002 +0.000	2.500 +.002 +0.000	2.125 +.000 -.002	2.499 +.000 -.002	2.500 +.002 +0.000	9.62
U18-2.12-37B	2-1/8	2-1/2	3/8	.413 +.015 +0.000	2.125 +.000 -.002	2.126 +.002 +0.000	2.500 +.002 +0.000	2.125 +.000 -.002	2.499 +.000 -.002	2.500 +.002 +0.000	9.81
U18-2.12-37D	2-1/8	2-1/2	3/8	.413 +.015 +0.000	2.125 +.000 -.002	2.126 +.002 +0.000	2.500 +.002 +0.000	2.125 +.000 -.002	2.499 +.000 -.002	2.500 +.002 +0.000	9.81

STYLE 800 POLYURETHANE U-SEALS

U-SEALS

Part Number	A Nom. ID	B Nom. OD	C Nom. Ht	D GROOVE WIDTH	E ROD DIAMETER	F THROAT DIAMETER	G HOUSING DIAMETER	H GROOVE DIAMETER	I PISTON DIAMETER	J BORE DIAMETER	List Price
U18-2.18-37B	2-3/16	2-9/16	3/8	.413 ^{+0.015} / _{+0.000}	2.187 ^{+0.000} / _{-.002}	2.189 ^{+0.002} / _{+0.000}	2.563 ^{+0.002} / _{+0.000}	2.187 ^{+0.000} / _{-.002}	2.561 ^{+0.000} / _{-.002}	2.563 ^{+0.002} / _{+0.000}	10.77
U18-2.25	2-1/4	2-5/8	3/16	.207 ^{+0.015} / _{+0.000}	2.250 ^{+0.000} / _{-.002}	2.251 ^{+0.002} / _{+0.000}	2.625 ^{+0.002} / _{+0.000}	2.250 ^{+0.000} / _{-.002}	2.624 ^{+0.000} / _{-.002}	2.625 ^{+0.002} / _{+0.000}	8.32
U18-2.25-SQB	2-1/4	2-5/8	3/16	.207 ^{+0.015} / _{+0.000}	2.250 ^{+0.000} / _{-.002}	2.251 ^{+0.002} / _{+0.000}	2.625 ^{+0.002} / _{+0.000}	2.250 ^{+0.000} / _{-.002}	2.624 ^{+0.000} / _{-.002}	2.625 ^{+0.002} / _{+0.000}	8.32
U18-2.25-31B	2-1/4	2-5/8	5/16	.344 ^{+0.015} / _{+0.000}	2.250 ^{+0.000} / _{-.002}	2.251 ^{+0.002} / _{+0.000}	2.625 ^{+0.002} / _{+0.000}	2.250 ^{+0.000} / _{-.002}	2.624 ^{+0.000} / _{-.002}	2.625 ^{+0.002} / _{+0.000}	11.19
U18-2.25-37B	2-1/4	2-5/8	3/8	.413 ^{+0.015} / _{+0.000}	2.250 ^{+0.000} / _{-.002}	2.251 ^{+0.002} / _{+0.000}	2.625 ^{+0.002} / _{+0.000}	2.250 ^{+0.000} / _{-.002}	2.624 ^{+0.000} / _{-.002}	2.625 ^{+0.002} / _{+0.000}	10.62
U18-2.37	2-3/8	2-3/4	3/16	.207 ^{+0.015} / _{+0.000}	2.375 ^{+0.000} / _{-.002}	2.376 ^{+0.002} / _{+0.000}	2.750 ^{+0.002} / _{+0.000}	2.375 ^{+0.000} / _{-.002}	2.749 ^{+0.000} / _{-.002}	2.750 ^{+0.002} / _{+0.000}	9.09
U18-2.37-SQB	2-3/8	2-3/4	3/16	.207 ^{+0.015} / _{+0.000}	2.375 ^{+0.000} / _{-.002}	2.376 ^{+0.002} / _{+0.000}	2.750 ^{+0.002} / _{+0.000}	2.375 ^{+0.000} / _{-.002}	2.749 ^{+0.000} / _{-.002}	2.750 ^{+0.002} / _{+0.000}	8.11
U18-2.37-25B	2-3/8	2-3/4	1/4	.275 ^{+0.015} / _{+0.000}	2.375 ^{+0.000} / _{-.002}	2.376 ^{+0.002} / _{+0.000}	2.750 ^{+0.002} / _{+0.000}	2.375 ^{+0.000} / _{-.002}	2.749 ^{+0.000} / _{-.002}	2.750 ^{+0.002} / _{+0.000}	11.52
U18-2.37-37B	2-3/8	2-3/4	3/8	.413 ^{+0.015} / _{+0.000}	2.375 ^{+0.000} / _{-.002}	2.376 ^{+0.002} / _{+0.000}	2.750 ^{+0.002} / _{+0.000}	2.375 ^{+0.000} / _{-.002}	2.749 ^{+0.000} / _{-.002}	2.750 ^{+0.002} / _{+0.000}	11.52
U18-2.37-50B	2-3/8	2-3/4	1/2	.550 ^{+0.015} / _{+0.000}	2.375 ^{+0.000} / _{-.002}	2.376 ^{+0.002} / _{+0.000}	2.750 ^{+0.002} / _{+0.000}	2.375 ^{+0.000} / _{-.002}	2.749 ^{+0.000} / _{-.002}	2.750 ^{+0.002} / _{+0.000}	18.03
U18-2.50	2-1/2	2-7/8	3/16	.207 ^{+0.015} / _{+0.000}	2.500 ^{+0.000} / _{-.002}	2.501 ^{+0.002} / _{+0.000}	2.875 ^{+0.002} / _{+0.000}	2.500 ^{+0.000} / _{-.002}	2.874 ^{+0.000} / _{-.002}	2.875 ^{+0.002} / _{+0.000}	8.57
U18-2.50-SQB	2-1/2	2-7/8	3/16	.207 ^{+0.015} / _{+0.000}	2.500 ^{+0.000} / _{-.002}	2.501 ^{+0.002} / _{+0.000}	2.875 ^{+0.002} / _{+0.000}	2.500 ^{+0.000} / _{-.002}	2.874 ^{+0.000} / _{-.002}	2.875 ^{+0.002} / _{+0.000}	8.57
U18-2.50-25B	2-1/2	2-7/8	1/4	.275 ^{+0.015} / _{+0.000}	2.500 ^{+0.000} / _{-.002}	2.501 ^{+0.002} / _{+0.000}	2.875 ^{+0.002} / _{+0.000}	2.500 ^{+0.000} / _{-.002}	2.874 ^{+0.000} / _{-.002}	2.875 ^{+0.002} / _{+0.000}	11.92
U18-2.50-31B	2-1/2	2-7/8	5/16	.344 ^{+0.015} / _{+0.000}	2.500 ^{+0.000} / _{-.002}	2.501 ^{+0.002} / _{+0.000}	2.875 ^{+0.002} / _{+0.000}	2.500 ^{+0.000} / _{-.002}	2.874 ^{+0.000} / _{-.002}	2.875 ^{+0.002} / _{+0.000}	11.41
U18-2.50-37B	2-1/2	2-7/8	3/8	.413 ^{+0.015} / _{+0.000}	2.500 ^{+0.000} / _{-.002}	2.501 ^{+0.002} / _{+0.000}	2.875 ^{+0.002} / _{+0.000}	2.500 ^{+0.000} / _{-.002}	2.874 ^{+0.000} / _{-.002}	2.875 ^{+0.002} / _{+0.000}	11.41
U18-2.62	2-5/8	3	3/16	.207 ^{+0.015} / _{+0.000}	2.625 ^{+0.000} / _{-.002}	2.626 ^{+0.002} / _{+0.000}	3.000 ^{+0.002} / _{+0.000}	2.625 ^{+0.000} / _{-.002}	2.999 ^{+0.000} / _{-.002}	3.000 ^{+0.002} / _{+0.000}	9.11
U18-2.62-SQB	2-5/8	3	3/16	.207 ^{+0.015} / _{+0.000}	2.625 ^{+0.000} / _{-.002}	2.626 ^{+0.002} / _{+0.000}	3.000 ^{+0.002} / _{+0.000}	2.625 ^{+0.000} / _{-.002}	2.999 ^{+0.000} / _{-.002}	3.000 ^{+0.002} / _{+0.000}	8.57
U18-2.62-25B	2-5/8	3	1/4	.275 ^{+0.015} / _{+0.000}	2.625 ^{+0.000} / _{-.002}	2.626 ^{+0.002} / _{+0.000}	3.000 ^{+0.002} / _{+0.000}	2.625 ^{+0.000} / _{-.002}	2.999 ^{+0.000} / _{-.002}	3.000 ^{+0.002} / _{+0.000}	12.19
U18-2.62-28B	2-5/8	3	9/32	.309 ^{+0.015} / _{+0.000}	2.625 ^{+0.000} / _{-.002}	2.626 ^{+0.002} / _{+0.000}	3.000 ^{+0.002} / _{+0.000}	2.625 ^{+0.000} / _{-.002}	2.999 ^{+0.000} / _{-.002}	3.000 ^{+0.002} / _{+0.000}	9.69
U18-2.62-37B	2-5/8	3	3/8	.413 ^{+0.015} / _{+0.000}	2.625 ^{+0.000} / _{-.002}	2.626 ^{+0.002} / _{+0.000}	3.000 ^{+0.002} / _{+0.000}	2.625 ^{+0.000} / _{-.002}	2.999 ^{+0.000} / _{-.002}	3.000 ^{+0.002} / _{+0.000}	11.90
U18-2.62-37D	2-5/8	3	3/8	.413 ^{+0.015} / _{+0.000}	2.625 ^{+0.000} / _{-.002}	2.626 ^{+0.002} / _{+0.000}	3.000 ^{+0.002} / _{+0.000}	2.625 ^{+0.000} / _{-.002}	2.999 ^{+0.000} / _{-.002}	3.000 ^{+0.002} / _{+0.000}	13.99
U18-2.75	2-3/4	3-1/8	3/16	.207 ^{+0.015} / _{+0.000}	2.750 ^{+0.000} / _{-.002}	2.751 ^{+0.002} / _{+0.000}	3.125 ^{+0.002} / _{+0.000}	2.750 ^{+0.000} / _{-.002}	3.124 ^{+0.000} / _{-.002}	3.125 ^{+0.002} / _{+0.000}	9.91
U18-2.75-SQB	2-3/4	3-1/8	3/16	.207 ^{+0.015} / _{+0.000}	2.750 ^{+0.000} / _{-.002}	2.751 ^{+0.002} / _{+0.000}	3.125 ^{+0.002} / _{+0.000}	2.750 ^{+0.000} / _{-.002}	3.124 ^{+0.000} / _{-.002}	3.125 ^{+0.002} / _{+0.000}	9.27
U18-2.75-37B	2-3/4	3-1/8	3/8	.413 ^{+0.015} / _{+0.000}	2.750 ^{+0.000} / _{-.002}	2.751 ^{+0.002} / _{+0.000}	3.125 ^{+0.002} / _{+0.000}	2.750 ^{+0.000} / _{-.002}	3.124 ^{+0.000} / _{-.002}	3.125 ^{+0.002} / _{+0.000}	12.43
U18-2.87	2-7/8	3-1/4	3/16	.207 ^{+0.015} / _{+0.000}	2.875 ^{+0.000} / _{-.002}	2.876 ^{+0.002} / _{+0.000}	3.250 ^{+0.002} / _{+0.000}	2.875 ^{+0.000} / _{-.002}	3.249 ^{+0.000} / _{-.002}	3.250 ^{+0.002} / _{+0.000}	9.23
U18-2.87-25B	2-7/8	3-1/4	1/4	.275 ^{+0.015} / _{+0.000}	2.875 ^{+0.000} / _{-.002}	2.876 ^{+0.002} / _{+0.000}	3.250 ^{+0.002} / _{+0.000}	2.875 ^{+0.000} / _{-.002}	3.249 ^{+0.000} / _{-.002}	3.250 ^{+0.002} / _{+0.000}	13.93
U18-2.87-37B	2-7/8	3-1/4	3/8	.413 ^{+0.015} / _{+0.000}	2.875 ^{+0.000} / _{-.002}	2.876 ^{+0.002} / _{+0.000}	3.250 ^{+0.002} / _{+0.000}	2.875 ^{+0.000} / _{-.002}	3.249 ^{+0.000} / _{-.002}	3.250 ^{+0.002} / _{+0.000}	13.31
U18-2.87-37D	2-7/8	3-1/4	3/8	.413 ^{+0.015} / _{+0.000}	2.875 ^{+0.000} / _{-.002}	2.876 ^{+0.002} / _{+0.000}	3.250 ^{+0.002} / _{+0.000}	2.875 ^{+0.000} / _{-.002}	3.249 ^{+0.000} / _{-.002}	3.250 ^{+0.002} / _{+0.000}	13.31
U18-3.00	3	3-3/8	3/16	.207 ^{+0.015} / _{+0.000}	3.000 ^{+0.000} / _{-.002}	3.001 ^{+0.002} / _{+0.000}	3.375 ^{+0.002} / _{+0.000}	3.000 ^{+0.000} / _{-.002}	3.374 ^{+0.000} / _{-.002}	3.375 ^{+0.002} / _{+0.000}	9.85
U18-3.00-SQB	3	3-3/8	3/16	.207 ^{+0.015} / _{+0.000}	3.000 ^{+0.000} / _{-.002}	3.001 ^{+0.002} / _{+0.000}	3.375 ^{+0.002} / _{+0.000}	3.000 ^{+0.000} / _{-.002}	3.374 ^{+0.000} / _{-.002}	3.375 ^{+0.002} / _{+0.000}	9.85
U18-3.00-31B	3	3-3/8	5/16	.344 ^{+0.015} / _{+0.000}	3.000 ^{+0.000} / _{-.002}	3.001 ^{+0.002} / _{+0.000}	3.375 ^{+0.002} / _{+0.000}	3.000 ^{+0.000} / _{-.002}	3.374 ^{+0.000} / _{-.002}	3.375 ^{+0.002} / _{+0.000}	12.69
U18-3.00-37B	3	3-3/8	3/8	.413 ^{+0.015} / _{+0.000}	3.000 ^{+0.000} / _{-.002}	3.001 ^{+0.002} / _{+0.000}	3.375 ^{+0.002} / _{+0.000}	3.000 ^{+0.000} / _{-.002}	3.374 ^{+0.000} / _{-.002}	3.375 ^{+0.002} / _{+0.000}	13.81
U18-3.12	3-1/8	3-1/2	3/16	.207 ^{+0.015} / _{+0.000}	3.125 ^{+0.000} / _{-.002}	3.126 ^{+0.002} / _{+0.000}	3.500 ^{+0.002} / _{+0.000}	3.125 ^{+0.000} / _{-.002}	3.499 ^{+0.000} / _{-.002}	3.500 ^{+0.002} / _{+0.000}	10.56

STYLE 800 POLYURETHANE U-SEALS

U-SEALS

Part Number	A Nom. ID	B Nom. OD	C Nom. Ht	D GROOVE WIDTH	E ROD DIAMETER	F THROAT DIAMETER	G HOUSING DIAMETER	H GROOVE DIAMETER	I PISTON DIAMETER	J BORE DIAMETER	List Price
U18-3.12-SQB	3-1/8	3-1/2	3/16	.207 ^{+0.015} / _{+0.000}	3.125 ^{+0.000} / _{-.002}	3.126 ^{+0.002} / _{+0.000}	3.500 ^{+0.002} / _{+0.000}	3.125 ^{+0.000} / _{-.002}	3.499 ^{+0.000} / _{-.002}	3.500 ^{+0.002} / _{+0.000}	10.56
U18-3.12-25B	3-1/8	3-1/2	1/4	.275 ^{+0.015} / _{+0.000}	3.125 ^{+0.000} / _{-.002}	3.126 ^{+0.002} / _{+0.000}	3.500 ^{+0.002} / _{+0.000}	3.125 ^{+0.000} / _{-.002}	3.499 ^{+0.000} / _{-.002}	3.500 ^{+0.002} / _{+0.000}	14.07
U18-3.12-37B	3-1/8	3-1/2	3/8	.413 ^{+0.015} / _{+0.000}	3.125 ^{+0.000} / _{-.002}	3.126 ^{+0.002} / _{+0.000}	3.500 ^{+0.002} / _{+0.000}	3.125 ^{+0.000} / _{-.002}	3.499 ^{+0.000} / _{-.002}	3.500 ^{+0.002} / _{+0.000}	14.07
U18-3.12-37D	3-1/8	3-1/2	3/8	.413 ^{+0.015} / _{+0.000}	3.125 ^{+0.000} / _{-.002}	3.126 ^{+0.002} / _{+0.000}	3.500 ^{+0.002} / _{+0.000}	3.125 ^{+0.000} / _{-.002}	3.499 ^{+0.000} / _{-.002}	3.500 ^{+0.002} / _{+0.000}	17.20
U18-3.25	3-1/4	3-5/8	3/16	.207 ^{+0.015} / _{+0.000}	3.250 ^{+0.000} / _{-.002}	3.251 ^{+0.002} / _{+0.000}	3.625 ^{+0.002} / _{+0.000}	3.250 ^{+0.000} / _{-.002}	3.624 ^{+0.000} / _{-.002}	3.625 ^{+0.002} / _{+0.000}	11.16
U18-3.25-37B	3-1/4	3-5/8	3/8	.413 ^{+0.015} / _{+0.000}	3.250 ^{+0.000} / _{-.002}	3.251 ^{+0.002} / _{+0.000}	3.625 ^{+0.002} / _{+0.000}	3.250 ^{+0.000} / _{-.002}	3.624 ^{+0.000} / _{-.002}	3.625 ^{+0.002} / _{+0.000}	15.56
U18-3.37	3-3/8	3-3/4	3/16	.207 ^{+0.015} / _{+0.000}	3.375 ^{+0.000} / _{-.002}	3.376 ^{+0.002} / _{+0.000}	3.750 ^{+0.002} / _{+0.000}	3.375 ^{+0.000} / _{-.002}	3.749 ^{+0.000} / _{-.002}	3.750 ^{+0.002} / _{+0.000}	11.81
U18-3.37-SQB	3-3/8	3-3/4	3/16	.207 ^{+0.015} / _{+0.000}	3.375 ^{+0.000} / _{-.002}	3.376 ^{+0.002} / _{+0.000}	3.750 ^{+0.002} / _{+0.000}	3.375 ^{+0.000} / _{-.002}	3.749 ^{+0.000} / _{-.002}	3.750 ^{+0.002} / _{+0.000}	11.81
U18-3.37-25B	3-3/8	3-3/4	1/4	.275 ^{+0.015} / _{+0.000}	3.375 ^{+0.000} / _{-.002}	3.376 ^{+0.002} / _{+0.000}	3.750 ^{+0.002} / _{+0.000}	3.375 ^{+0.000} / _{-.002}	3.749 ^{+0.000} / _{-.002}	3.750 ^{+0.002} / _{+0.000}	16.07
U18-3.37-37B	3-3/8	3-3/4	3/8	.413 ^{+0.015} / _{+0.000}	3.375 ^{+0.000} / _{-.002}	3.376 ^{+0.002} / _{+0.000}	3.750 ^{+0.002} / _{+0.000}	3.375 ^{+0.000} / _{-.002}	3.749 ^{+0.000} / _{-.002}	3.750 ^{+0.002} / _{+0.000}	16.41
U18-3.50	3-1/2	3-7/8	3/16	.207 ^{+0.015} / _{+0.000}	3.500 ^{+0.000} / _{-.002}	3.501 ^{+0.002} / _{+0.000}	3.875 ^{+0.002} / _{+0.000}	3.500 ^{+0.000} / _{-.002}	3.874 ^{+0.000} / _{-.002}	3.875 ^{+0.002} / _{+0.000}	14.16
U18-3.50-SQB	3-1/2	3-7/8	3/16	.207 ^{+0.015} / _{+0.000}	3.500 ^{+0.000} / _{-.002}	3.501 ^{+0.002} / _{+0.000}	3.875 ^{+0.002} / _{+0.000}	3.500 ^{+0.000} / _{-.002}	3.874 ^{+0.000} / _{-.002}	3.875 ^{+0.002} / _{+0.000}	12.34
U18-3.50-37B	3-1/2	3-7/8	3/8	.413 ^{+0.015} / _{+0.000}	3.500 ^{+0.000} / _{-.002}	3.501 ^{+0.002} / _{+0.000}	3.875 ^{+0.002} / _{+0.000}	3.500 ^{+0.000} / _{-.002}	3.874 ^{+0.000} / _{-.002}	3.875 ^{+0.002} / _{+0.000}	16.49
U18-3.62	3-5/8	4	3/16	.207 ^{+0.015} / _{+0.000}	3.625 ^{+0.000} / _{-.002}	3.626 ^{+0.002} / _{+0.000}	4.000 ^{+0.002} / _{+0.000}	3.625 ^{+0.000} / _{-.002}	3.999 ^{+0.000} / _{-.002}	4.000 ^{+0.002} / _{+0.000}	12.43
U18-3.62-SQB	3-5/8	4	3/16	.207 ^{+0.015} / _{+0.000}	3.625 ^{+0.000} / _{-.002}	3.626 ^{+0.002} / _{+0.000}	4.000 ^{+0.002} / _{+0.000}	3.625 ^{+0.000} / _{-.002}	3.999 ^{+0.000} / _{-.002}	4.000 ^{+0.002} / _{+0.000}	12.43
U18-3.62-37B	3-5/8	4	3/8	.413 ^{+0.015} / _{+0.000}	3.625 ^{+0.000} / _{-.002}	3.626 ^{+0.002} / _{+0.000}	4.000 ^{+0.002} / _{+0.000}	3.625 ^{+0.000} / _{-.002}	3.999 ^{+0.000} / _{-.002}	4.000 ^{+0.002} / _{+0.000}	18.20
U18-3.75	3-3/4	4-1/8	3/16	.207 ^{+0.015} / _{+0.000}	3.750 ^{+0.000} / _{-.002}	3.751 ^{+0.002} / _{+0.000}	4.125 ^{+0.002} / _{+0.000}	3.750 ^{+0.000} / _{-.002}	4.124 ^{+0.000} / _{-.002}	4.125 ^{+0.002} / _{+0.000}	13.59
U18-3.75-37B	3-3/4	4-1/8	3/8	.413 ^{+0.015} / _{+0.000}	3.750 ^{+0.000} / _{-.002}	3.751 ^{+0.002} / _{+0.000}	4.125 ^{+0.002} / _{+0.000}	3.750 ^{+0.000} / _{-.002}	4.124 ^{+0.000} / _{-.002}	4.125 ^{+0.002} / _{+0.000}	19.26
U18-3.87	3-7/8	4-1/4	3/16	.207 ^{+0.015} / _{+0.000}	3.875 ^{+0.000} / _{-.002}	3.876 ^{+0.002} / _{+0.000}	4.250 ^{+0.002} / _{+0.000}	3.875 ^{+0.000} / _{-.002}	4.249 ^{+0.000} / _{-.002}	4.250 ^{+0.002} / _{+0.000}	19.19
U18-3.87-37B	3-7/8	4-1/4	3/8	.413 ^{+0.015} / _{+0.000}	3.875 ^{+0.000} / _{-.002}	3.876 ^{+0.002} / _{+0.000}	4.250 ^{+0.002} / _{+0.000}	3.875 ^{+0.000} / _{-.002}	4.249 ^{+0.000} / _{-.002}	4.250 ^{+0.002} / _{+0.000}	20.15
U18-4.00	4	4-3/8	3/16	.207 ^{+0.015} / _{+0.000}	4.000 ^{+0.000} / _{-.002}	4.001 ^{+0.002} / _{+0.000}	4.375 ^{+0.002} / _{+0.000}	4.000 ^{+0.000} / _{-.002}	4.374 ^{+0.000} / _{-.002}	4.375 ^{+0.002} / _{+0.000}	16.68
U18-4.00-SQB	4	4-3/8	3/16	.207 ^{+0.015} / _{+0.000}	4.000 ^{+0.000} / _{-.002}	4.001 ^{+0.002} / _{+0.000}	4.375 ^{+0.002} / _{+0.000}	4.000 ^{+0.000} / _{-.002}	4.374 ^{+0.000} / _{-.002}	4.375 ^{+0.002} / _{+0.000}	14.85
U18-4.00-37B	4	4-3/8	3/8	.413 ^{+0.015} / _{+0.000}	4.000 ^{+0.000} / _{-.002}	4.001 ^{+0.002} / _{+0.000}	4.375 ^{+0.002} / _{+0.000}	4.000 ^{+0.000} / _{-.002}	4.374 ^{+0.000} / _{-.002}	4.375 ^{+0.002} / _{+0.000}	20.25
U18-4.12	4-1/8	4-1/2	3/16	.207 ^{+0.015} / _{+0.000}	4.125 ^{+0.000} / _{-.002}	4.126 ^{+0.002} / _{+0.000}	4.500 ^{+0.002} / _{+0.000}	4.125 ^{+0.000} / _{-.002}	4.499 ^{+0.000} / _{-.002}	4.500 ^{+0.002} / _{+0.000}	15.68
U18-4.12-37B	4-1/8	4-1/2	3/8	.413 ^{+0.015} / _{+0.000}	4.125 ^{+0.000} / _{-.002}	4.126 ^{+0.002} / _{+0.000}	4.500 ^{+0.002} / _{+0.000}	4.125 ^{+0.000} / _{-.002}	4.499 ^{+0.000} / _{-.002}	4.500 ^{+0.002} / _{+0.000}	21.09
U18-4.12-37D	4-1/8	4-1/2	3/8	.413 ^{+0.015} / _{+0.000}	4.125 ^{+0.000} / _{-.002}	4.126 ^{+0.002} / _{+0.000}	4.500 ^{+0.002} / _{+0.000}	4.125 ^{+0.000} / _{-.002}	4.499 ^{+0.000} / _{-.002}	4.500 ^{+0.002} / _{+0.000}	22.17
U18-4.25	4-1/4	4-5/8	3/16	.207 ^{+0.015} / _{+0.000}	4.250 ^{+0.000} / _{-.002}	4.251 ^{+0.002} / _{+0.000}	4.625 ^{+0.002} / _{+0.000}	4.250 ^{+0.000} / _{-.002}	4.624 ^{+0.000} / _{-.002}	4.625 ^{+0.002} / _{+0.000}	16.23
U18-4.25-37B	4-1/4	4-5/8	3/8	.413 ^{+0.015} / _{+0.000}	4.250 ^{+0.000} / _{-.002}	4.251 ^{+0.002} / _{+0.000}	4.625 ^{+0.002} / _{+0.000}	4.250 ^{+0.000} / _{-.002}	4.624 ^{+0.000} / _{-.002}	4.625 ^{+0.002} / _{+0.000}	21.99
U18-4.37	4-3/8	4-3/4	3/16	.207 ^{+0.015} / _{+0.000}	4.375 ^{+0.000} / _{-.002}	4.376 ^{+0.002} / _{+0.000}	4.750 ^{+0.002} / _{+0.000}	4.375 ^{+0.000} / _{-.002}	4.749 ^{+0.000} / _{-.002}	4.750 ^{+0.002} / _{+0.000}	16.71
U18-4.37-37B	4-3/8	4-3/4	3/8	.413 ^{+0.015} / _{+0.000}	4.375 ^{+0.000} / _{-.002}	4.376 ^{+0.002} / _{+0.000}	4.750 ^{+0.002} / _{+0.000}	4.375 ^{+0.000} / _{-.002}	4.749 ^{+0.000} / _{-.002}	4.750 ^{+0.002} / _{+0.000}	22.30
U18-4.50	4-1/2	4-7/8	3/16	.207 ^{+0.015} / _{+0.000}	4.500 ^{+0.000} / _{-.002}	4.501 ^{+0.002} / _{+0.000}	4.875 ^{+0.002} / _{+0.000}	4.500 ^{+0.000} / _{-.002}	4.874 ^{+0.000} / _{-.002}	4.875 ^{+0.002} / _{+0.000}	16.76
U18-4.50-37B	4-1/2	4-7/8	3/8	.413 ^{+0.015} / _{+0.000}	4.500 ^{+0.000} / _{-.002}	4.501 ^{+0.002} / _{+0.000}	4.875 ^{+0.002} / _{+0.000}	4.500 ^{+0.000} / _{-.002}	4.874 ^{+0.000} / _{-.002}	4.875 ^{+0.002} / _{+0.000}	24.38
U18-4.62	4-5/8	5	3/16	.207 ^{+0.015} / _{+0.000}	4.625 ^{+0.000} / _{-.002}	4.626 ^{+0.002} / _{+0.000}	5.000 ^{+0.002} / _{+0.000}	4.625 ^{+0.000} / _{-.002}	4.999 ^{+0.000} / _{-.002}	5.000 ^{+0.002} / _{+0.000}	17.17

STYLE 800 POLYURETHANE U-SEALS

U-SEALS

Part Number	A Nom. ID	B Nom. OD	C Nom. Ht	D GROOVE WIDTH	E ROD DIAMETER	F THROAT DIAMETER	G HOUSING DIAMETER	H GROOVE DIAMETER	I PISTON DIAMETER	J BORE DIAMETER	List Price
U18-4.62-37D	4-5/8	5	3/8	.413 ^{+0.015} / _{+0.000}	4.625 ^{+0.000} / _{-.002}	4.626 ^{+0.002} / _{+0.000}	5.000 ^{+0.002} / _{+0.000}	4.625 ^{+0.000} / _{-.002}	4.999 ^{+0.000} / _{-.002}	5.000 ^{+0.002} / _{+0.000}	24.42
U18-4.75	4-3/4	5-1/8	3/16	.207 ^{+0.015} / _{+0.000}	4.750 ^{+0.000} / _{-.002}	4.751 ^{+0.002} / _{+0.000}	5.125 ^{+0.002} / _{+0.000}	4.750 ^{+0.000} / _{-.002}	5.124 ^{+0.000} / _{-.002}	5.125 ^{+0.002} / _{+0.000}	17.87
U18-4.87	4-7/8	5-1/4	3/16	.207 ^{+0.015} / _{+0.000}	4.875 ^{+0.000} / _{-.002}	4.876 ^{+0.002} / _{+0.000}	5.250 ^{+0.002} / _{+0.000}	4.875 ^{+0.000} / _{-.002}	5.249 ^{+0.000} / _{-.002}	5.250 ^{+0.002} / _{+0.000}	18.93
U18-5.00	5	5-3/8	3/16	.207 ^{+0.015} / _{+0.000}	5.000 ^{+0.000} / _{-.002}	5.001 ^{+0.002} / _{+0.000}	5.375 ^{+0.002} / _{+0.000}	5.000 ^{+0.000} / _{-.002}	5.374 ^{+0.000} / _{-.002}	5.375 ^{+0.002} / _{+0.000}	22.08
U18-5.00-31D	5	5-3/8	5/16	.344 ^{+0.015} / _{+0.000}	5.000 ^{+0.000} / _{-.002}	5.001 ^{+0.002} / _{+0.000}	5.375 ^{+0.002} / _{+0.000}	5.000 ^{+0.000} / _{-.002}	5.374 ^{+0.000} / _{-.002}	5.375 ^{+0.002} / _{+0.000}	31.09
U18-5.00-37D	5	5-3/8	3/8	.413 ^{+0.015} / _{+0.000}	5.000 ^{+0.000} / _{-.002}	5.001 ^{+0.002} / _{+0.000}	5.375 ^{+0.002} / _{+0.000}	5.000 ^{+0.000} / _{-.002}	5.374 ^{+0.000} / _{-.002}	5.375 ^{+0.002} / _{+0.000}	31.09
U18-6.00	6	6-3/8	3/16	.207 ^{+0.015} / _{+0.000}	6.000 ^{+0.000} / _{-.002}	6.001 ^{+0.002} / _{+0.000}	6.375 ^{+0.002} / _{+0.000}	6.000 ^{+0.000} / _{-.002}	6.374 ^{+0.000} / _{-.002}	6.375 ^{+0.002} / _{+0.000}	23.29
U18-6.00-37B	6	6-3/8	3/8	.413 ^{+0.015} / _{+0.000}	6.000 ^{+0.000} / _{-.002}	6.001 ^{+0.002} / _{+0.000}	6.375 ^{+0.002} / _{+0.000}	6.000 ^{+0.000} / _{-.002}	6.374 ^{+0.000} / _{-.002}	6.375 ^{+0.002} / _{+0.000}	26.00
7/32" C/S											
U21-2.50-SQB	2-1/2	2-15/16	7/32	.241 ^{+0.015} / _{+0.000}	2.500 ^{+0.000} / _{-.002}	2.501 ^{+0.002} / _{+0.000}	2.938 ^{+0.002} / _{+0.000}	2.500 ^{+0.000} / _{-.002}	2.936 ^{+0.000} / _{-.002}	2.938 ^{+0.002} / _{+0.000}	\$ 14.83
U21-2.50CN	2-1/2	2-15/16	7/32	.241 ^{+0.015} / _{+0.000}	2.500 ^{+0.000} / _{-.002}	2.501 ^{+0.002} / _{+0.000}	2.938 ^{+0.002} / _{+0.000}	2.500 ^{+0.000} / _{-.002}	2.936 ^{+0.000} / _{-.002}	2.938 ^{+0.002} / _{+0.000}	24.09
U21-2.81	2-13/16	3-1/4	7/32	.241 ^{+0.015} / _{+0.000}	2.812 ^{+0.000} / _{-.002}	2.814 ^{+0.002} / _{+0.000}	3.250 ^{+0.002} / _{+0.000}	2.812 ^{+0.000} / _{-.002}	3.249 ^{+0.000} / _{-.002}	3.250 ^{+0.002} / _{+0.000}	14.14
U21-3.00	3	3-7/16	7/32	.241 ^{+0.015} / _{+0.000}	3.000 ^{+0.000} / _{-.002}	3.001 ^{+0.002} / _{+0.000}	3.438 ^{+0.002} / _{+0.000}	3.000 ^{+0.000} / _{-.002}	3.436 ^{+0.000} / _{-.002}	3.438 ^{+0.002} / _{+0.000}	13.64
U21-3.00CN	3	3-7/16	7/32	.241 ^{+0.015} / _{+0.000}	3.000 ^{+0.000} / _{-.002}	3.001 ^{+0.002} / _{+0.000}	3.438 ^{+0.002} / _{+0.000}	3.000 ^{+0.000} / _{-.002}	3.436 ^{+0.000} / _{-.002}	3.438 ^{+0.002} / _{+0.000}	30.10
1/4" C/S											
U25-0.25	1/4	3/4	1/4	.275 ^{+0.015} / _{+0.000}	.250 ^{+0.000} / _{-.002}	.251 ^{+0.003} / _{+0.000}	.750 ^{+0.003} / _{+0.000}	.250 ^{+0.000} / _{-.003}	.749 ^{+0.000} / _{-.002}	.750 ^{+0.003} / _{+0.000}	\$ 6.51
U25-0.31	5/16	13/16	1/4	.275 ^{+0.015} / _{+0.000}	.312 ^{+0.000} / _{-.002}	.313 ^{+0.003} / _{+0.000}	.813 ^{+0.003} / _{+0.000}	.312 ^{+0.000} / _{-.003}	.812 ^{+0.000} / _{-.002}	.813 ^{+0.003} / _{+0.000}	6.38
U25-0.37	3/8	7/8	1/4	.275 ^{+0.015} / _{+0.000}	.375 ^{+0.000} / _{-.002}	.376 ^{+0.003} / _{+0.000}	.875 ^{+0.003} / _{+0.000}	.375 ^{+0.000} / _{-.003}	.874 ^{+0.000} / _{-.002}	.875 ^{+0.003} / _{+0.000}	6.51
U25-0.43	7/16	15/16	1/4	.275 ^{+0.015} / _{+0.000}	.437 ^{+0.000} / _{-.002}	.438 ^{+0.003} / _{+0.000}	.938 ^{+0.003} / _{+0.000}	.437 ^{+0.000} / _{-.003}	.936 ^{+0.000} / _{-.002}	.938 ^{+0.003} / _{+0.000}	6.51
U25-0.43-37B	7/16	15/16	3/8	.413 ^{+0.015} / _{+0.000}	.437 ^{+0.000} / _{-.002}	.438 ^{+0.003} / _{+0.000}	.938 ^{+0.003} / _{+0.000}	.437 ^{+0.000} / _{-.003}	.936 ^{+0.000} / _{-.002}	.938 ^{+0.003} / _{+0.000}	6.64
U25-0.50	1/2	1	1/4	.275 ^{+0.015} / _{+0.000}	.500 ^{+0.000} / _{-.002}	.501 ^{+0.003} / _{+0.000}	1.000 ^{+0.003} / _{+0.000}	.500 ^{+0.000} / _{-.003}	.999 ^{+0.000} / _{-.002}	1.000 ^{+0.003} / _{+0.000}	6.51
U25-0.50-37B	1/2	1	3/8	.413 ^{+0.015} / _{+0.000}	.500 ^{+0.000} / _{-.002}	.501 ^{+0.003} / _{+0.000}	1.000 ^{+0.003} / _{+0.000}	.500 ^{+0.000} / _{-.003}	.999 ^{+0.000} / _{-.002}	1.000 ^{+0.003} / _{+0.000}	6.75
U25-0.56	9/16	1-1/16	1/4	.275 ^{+0.015} / _{+0.000}	.562 ^{+0.000} / _{-.002}	.563 ^{+0.003} / _{+0.000}	1.063 ^{+0.003} / _{+0.000}	.562 ^{+0.000} / _{-.003}	1.061 ^{+0.000} / _{-.002}	1.063 ^{+0.003} / _{+0.000}	6.51
U25-0.62	5/8	1-1/8	1/4	.275 ^{+0.015} / _{+0.000}	.625 ^{+0.000} / _{-.002}	.626 ^{+0.003} / _{+0.000}	1.125 ^{+0.003} / _{+0.000}	.625 ^{+0.000} / _{-.003}	1.124 ^{+0.000} / _{-.002}	1.125 ^{+0.003} / _{+0.000}	6.51
U25-0.62-37B	5/8	1-1/8	3/8	.413 ^{+0.015} / _{+0.000}	.625 ^{+0.000} / _{-.002}	.626 ^{+0.003} / _{+0.000}	1.125 ^{+0.003} / _{+0.000}	.625 ^{+0.000} / _{-.003}	1.124 ^{+0.000} / _{-.002}	1.125 ^{+0.003} / _{+0.000}	7.01
U25-0.68	11/16	1-3/16	1/4	.275 ^{+0.015} / _{+0.000}	.687 ^{+0.000} / _{-.002}	.688 ^{+0.003} / _{+0.000}	1.188 ^{+0.003} / _{+0.000}	.687 ^{+0.000} / _{-.003}	1.186 ^{+0.000} / _{-.002}	1.188 ^{+0.003} / _{+0.000}	6.51
U25-0.68-37B	11/16	1-3/16	3/8	.413 ^{+0.015} / _{+0.000}	.687 ^{+0.000} / _{-.002}	.688 ^{+0.003} / _{+0.000}	1.188 ^{+0.003} / _{+0.000}	.687 ^{+0.000} / _{-.003}	1.186 ^{+0.000} / _{-.002}	1.188 ^{+0.003} / _{+0.000}	7.01
U25-0.75	3/4	1-1/4	1/4	.275 ^{+0.015} / _{+0.000}	.750 ^{+0.000} / _{-.002}	.751 ^{+0.003} / _{+0.000}	1.250 ^{+0.003} / _{+0.000}	.750 ^{+0.000} / _{-.003}	1.249 ^{+0.000} / _{-.002}	1.250 ^{+0.003} / _{+0.000}	6.15
U25-0.75-SQB	3/4	1-1/4	1/4	.275 ^{+0.015} / _{+0.000}	.750 ^{+0.000} / _{-.002}	.751 ^{+0.003} / _{+0.000}	1.250 ^{+0.003} / _{+0.000}	.750 ^{+0.000} / _{-.003}	1.249 ^{+0.000} / _{-.002}	1.250 ^{+0.003} / _{+0.000}	6.51
U25-0.75-37B	3/4	1-1/4	3/8	.413 ^{+0.015} / _{+0.000}	.750 ^{+0.000} / _{-.002}	.751 ^{+0.003} / _{+0.000}	1.250 ^{+0.003} / _{+0.000}	.750 ^{+0.000} / _{-.003}	1.249 ^{+0.000} / _{-.002}	1.250 ^{+0.003} / _{+0.000}	7.01
U25-0.81	13/16	1-5/16	1/4	.275 ^{+0.015} / _{+0.000}	.812 ^{+0.000} / _{-.002}	.813 ^{+0.003} / _{+0.000}	1.313 ^{+0.003} / _{+0.000}	.812 ^{+0.000} / _{-.003}	1.311 ^{+0.000} / _{-.002}	1.313 ^{+0.003} / _{+0.000}	6.20
U25-0.81-37B	13/16	1-5/16	3/8	.413 ^{+0.015} / _{+0.000}	.812 ^{+0.000} / _{-.002}	.813 ^{+0.003} / _{+0.000}	1.313 ^{+0.003} / _{+0.000}	.812 ^{+0.000} / _{-.003}	1.311 ^{+0.000} / _{-.002}	1.313 ^{+0.003} / _{+0.000}	8.10
U25-0.87-SQB	7/8	1-3/8	1/4	.275 ^{+0.015} / _{+0.000}	.875 ^{+0.000} / _{-.002}	.876 ^{+0.003} / _{+0.000}	1.375 ^{+0.003} / _{+0.000}	.875 ^{+0.000} / _{-.003}	1.374 ^{+0.000} / _{-.002}	1.375 ^{+0.003} / _{+0.000}	6.64

STYLE 800 POLYURETHANE U-SEALS

U-SEALS

Part Number	A Nom. ID	B Nom. OD	C Nom. Ht	D GROOVE WIDTH	E ROD DIAMETER	F THROAT DIAMETER	G HOUSING DIAMETER	H GROOVE DIAMETER	I PISTON DIAMETER	J BORE DIAMETER	List Price
U25-0.87-37B	7/8	1-3/8	3/8	.413 ^{+0.015} / _{+0.000}	.875 ^{+0.000} / _{-.002}	.876 ^{+0.003} / _{+0.000}	1.375 ^{+0.003} / _{+0.000}	.875 ^{+0.000} / _{-.003}	1.374 ^{+0.000} / _{-.002}	1.375 ^{+0.003} / _{+0.000}	7.29
U25-0.87-37D	7/8	1-3/8	3/8	.413 ^{+0.015} / _{+0.000}	.875 ^{+0.000} / _{-.002}	.876 ^{+0.003} / _{+0.000}	1.375 ^{+0.003} / _{+0.000}	.875 ^{+0.000} / _{-.003}	1.374 ^{+0.000} / _{-.002}	1.375 ^{+0.003} / _{+0.000}	9.40
U25-0.93	15/16	1-7/16	1/4	.275 ^{+0.015} / _{+0.000}	.937 ^{+0.000} / _{-.002}	.938 ^{+0.003} / _{+0.000}	1.438 ^{+0.003} / _{+0.000}	.937 ^{+0.000} / _{-.003}	1.436 ^{+0.000} / _{-.002}	1.438 ^{+0.003} / _{+0.000}	6.66
U25-1.00	1	1-1/2	1/4	.275 ^{+0.015} / _{+0.000}	1.000 ^{+0.000} / _{-.002}	1.001 ^{+0.003} / _{+0.000}	1.500 ^{+0.003} / _{+0.000}	1.000 ^{+0.000} / _{-.003}	1.499 ^{+0.000} / _{-.002}	1.500 ^{+0.003} / _{+0.000}	6.37
U25-1.00-SQB	1	1-1/2	1/4	.275 ^{+0.015} / _{+0.000}	1.000 ^{+0.000} / _{-.002}	1.001 ^{+0.003} / _{+0.000}	1.500 ^{+0.003} / _{+0.000}	1.000 ^{+0.000} / _{-.003}	1.499 ^{+0.000} / _{-.002}	1.500 ^{+0.003} / _{+0.000}	6.37
U25-1.00-37B	1	1-1/2	3/8	.413 ^{+0.015} / _{+0.000}	1.000 ^{+0.000} / _{-.002}	1.001 ^{+0.003} / _{+0.000}	1.500 ^{+0.003} / _{+0.000}	1.000 ^{+0.000} / _{-.003}	1.499 ^{+0.000} / _{-.002}	1.500 ^{+0.003} / _{+0.000}	7.08
U25-1.00-37D	1	1-1/2	3/8	.413 ^{+0.015} / _{+0.000}	1.000 ^{+0.000} / _{-.002}	1.001 ^{+0.003} / _{+0.000}	1.500 ^{+0.003} / _{+0.000}	1.000 ^{+0.000} / _{-.003}	1.499 ^{+0.000} / _{-.002}	1.500 ^{+0.003} / _{+0.000}	8.12
U25-1.06	1-1/16	1-9/16	1/4	.275 ^{+0.015} / _{+0.000}	1.062 ^{+0.000} / _{-.002}	1.063 ^{+0.003} / _{+0.000}	1.563 ^{+0.003} / _{+0.000}	1.062 ^{+0.000} / _{-.003}	1.561 ^{+0.000} / _{-.002}	1.563 ^{+0.003} / _{+0.000}	6.83
U25-1.12	1-1/8	1-5/8	1/4	.275 ^{+0.015} / _{+0.000}	1.125 ^{+0.000} / _{-.002}	1.126 ^{+0.003} / _{+0.000}	1.625 ^{+0.003} / _{+0.000}	1.125 ^{+0.000} / _{-.003}	1.624 ^{+0.000} / _{-.002}	1.625 ^{+0.003} / _{+0.000}	6.64
U25-1.12-SQB	1-1/8	1-5/8	1/4	.275 ^{+0.015} / _{+0.000}	1.125 ^{+0.000} / _{-.002}	1.126 ^{+0.003} / _{+0.000}	1.625 ^{+0.003} / _{+0.000}	1.125 ^{+0.000} / _{-.003}	1.624 ^{+0.000} / _{-.002}	1.625 ^{+0.003} / _{+0.000}	9.33
U25-1.12-37B	1-1/8	1-5/8	3/8	.413 ^{+0.015} / _{+0.000}	1.125 ^{+0.000} / _{-.002}	1.126 ^{+0.003} / _{+0.000}	1.625 ^{+0.003} / _{+0.000}	1.125 ^{+0.000} / _{-.003}	1.624 ^{+0.000} / _{-.002}	1.625 ^{+0.003} / _{+0.000}	7.62
U25-1.18	1-3/16	1-11/16	1/4	.275 ^{+0.015} / _{+0.000}	1.187 ^{+0.000} / _{-.002}	1.188 ^{+0.003} / _{+0.000}	1.688 ^{+0.003} / _{+0.000}	1.187 ^{+0.000} / _{-.003}	1.686 ^{+0.000} / _{-.002}	1.688 ^{+0.003} / _{+0.000}	6.98
U25-1.25	1-1/4	1-3/4	1/4	.275 ^{+0.015} / _{+0.000}	1.250 ^{+0.000} / _{-.002}	1.251 ^{+0.003} / _{+0.000}	1.750 ^{+0.003} / _{+0.000}	1.250 ^{+0.000} / _{-.003}	1.749 ^{+0.000} / _{-.002}	1.750 ^{+0.003} / _{+0.000}	6.75
U25-1.25-SQB	1-1/4	1-3/4	1/4	.275 ^{+0.015} / _{+0.000}	1.250 ^{+0.000} / _{-.002}	1.251 ^{+0.003} / _{+0.000}	1.750 ^{+0.003} / _{+0.000}	1.250 ^{+0.000} / _{-.003}	1.749 ^{+0.000} / _{-.002}	1.750 ^{+0.003} / _{+0.000}	6.75
U25-1.25-37B	1-1/4	1-3/4	3/8	.413 ^{+0.015} / _{+0.000}	1.250 ^{+0.000} / _{-.002}	1.251 ^{+0.003} / _{+0.000}	1.750 ^{+0.003} / _{+0.000}	1.250 ^{+0.000} / _{-.003}	1.749 ^{+0.000} / _{-.002}	1.750 ^{+0.003} / _{+0.000}	7.64
U25-1.25-37D	1-1/4	1-3/4	3/8	.413 ^{+0.015} / _{+0.000}	1.250 ^{+0.000} / _{-.002}	1.251 ^{+0.003} / _{+0.000}	1.750 ^{+0.003} / _{+0.000}	1.250 ^{+0.000} / _{-.003}	1.749 ^{+0.000} / _{-.002}	1.750 ^{+0.003} / _{+0.000}	7.64
U25-1.31	1-5/16	1-13/16	1/4	.275 ^{+0.015} / _{+0.000}	1.312 ^{+0.000} / _{-.002}	1.313 ^{+0.003} / _{+0.000}	1.813 ^{+0.003} / _{+0.000}	1.312 ^{+0.000} / _{-.003}	1.811 ^{+0.000} / _{-.002}	1.813 ^{+0.003} / _{+0.000}	7.32
U25-1.31-37B	1-5/16	1-13/16	3/8	.413 ^{+0.015} / _{+0.000}	1.312 ^{+0.000} / _{-.002}	1.313 ^{+0.003} / _{+0.000}	1.813 ^{+0.003} / _{+0.000}	1.312 ^{+0.000} / _{-.003}	1.811 ^{+0.000} / _{-.002}	1.813 ^{+0.003} / _{+0.000}	7.64
U25-1.37	1-3/8	1-7/8	1/4	.275 ^{+0.015} / _{+0.000}	1.375 ^{+0.000} / _{-.002}	1.376 ^{+0.003} / _{+0.000}	1.875 ^{+0.003} / _{+0.000}	1.375 ^{+0.000} / _{-.003}	1.874 ^{+0.000} / _{-.002}	1.875 ^{+0.003} / _{+0.000}	8.61
U25-1.37-SQB	1-3/8	1-7/8	1/4	.275 ^{+0.015} / _{+0.000}	1.375 ^{+0.000} / _{-.002}	1.376 ^{+0.003} / _{+0.000}	1.875 ^{+0.003} / _{+0.000}	1.375 ^{+0.000} / _{-.003}	1.874 ^{+0.000} / _{-.002}	1.875 ^{+0.003} / _{+0.000}	7.62
U25-1.37-37B	1-3/8	1-7/8	3/8	.413 ^{+0.015} / _{+0.000}	1.375 ^{+0.000} / _{-.002}	1.376 ^{+0.003} / _{+0.000}	1.875 ^{+0.003} / _{+0.000}	1.375 ^{+0.000} / _{-.003}	1.874 ^{+0.000} / _{-.002}	1.875 ^{+0.003} / _{+0.000}	7.92
U25-1.43	1-7/16	1-15/16	1/4	.275 ^{+0.015} / _{+0.000}	1.437 ^{+0.000} / _{-.002}	1.438 ^{+0.003} / _{+0.000}	1.938 ^{+0.003} / _{+0.000}	1.437 ^{+0.000} / _{-.003}	1.936 ^{+0.000} / _{-.002}	1.938 ^{+0.003} / _{+0.000}	7.81
U25-1.43-37B	1-7/16	1-15/16	3/8	.413 ^{+0.015} / _{+0.000}	1.437 ^{+0.000} / _{-.002}	1.438 ^{+0.003} / _{+0.000}	1.938 ^{+0.003} / _{+0.000}	1.437 ^{+0.000} / _{-.003}	1.936 ^{+0.000} / _{-.002}	1.938 ^{+0.003} / _{+0.000}	8.30
U25-1.50	1-1/2	2	1/4	.275 ^{+0.015} / _{+0.000}	1.500 ^{+0.000} / _{-.002}	1.501 ^{+0.003} / _{+0.000}	2.000 ^{+0.003} / _{+0.000}	1.500 ^{+0.000} / _{-.003}	1.999 ^{+0.000} / _{-.002}	2.000 ^{+0.003} / _{+0.000}	7.81
U25-1.50-SQB	1-1/2	2	1/4	.275 ^{+0.015} / _{+0.000}	1.500 ^{+0.000} / _{-.002}	1.501 ^{+0.003} / _{+0.000}	2.000 ^{+0.003} / _{+0.000}	1.500 ^{+0.000} / _{-.003}	1.999 ^{+0.000} / _{-.002}	2.000 ^{+0.003} / _{+0.000}	7.69
U25-1.50-31B	1-1/2	2	5/16	.344 ^{+0.015} / _{+0.000}	1.500 ^{+0.000} / _{-.002}	1.501 ^{+0.003} / _{+0.000}	2.000 ^{+0.003} / _{+0.000}	1.500 ^{+0.000} / _{-.003}	1.999 ^{+0.000} / _{-.002}	2.000 ^{+0.003} / _{+0.000}	8.69
U25-1.50-37B	1-1/2	2	3/8	.413 ^{+0.015} / _{+0.000}	1.500 ^{+0.000} / _{-.002}	1.501 ^{+0.003} / _{+0.000}	2.000 ^{+0.003} / _{+0.000}	1.500 ^{+0.000} / _{-.003}	1.999 ^{+0.000} / _{-.002}	2.000 ^{+0.003} / _{+0.000}	8.69
U25-1.50-37D	1-1/2	2	3/8	.413 ^{+0.015} / _{+0.000}	1.500 ^{+0.000} / _{-.002}	1.501 ^{+0.003} / _{+0.000}	2.000 ^{+0.003} / _{+0.000}	1.500 ^{+0.000} / _{-.003}	1.999 ^{+0.000} / _{-.002}	2.000 ^{+0.003} / _{+0.000}	9.61
U25-1.50-50B	1-1/2	2	1/2	.550 ^{+0.015} / _{+0.000}	1.500 ^{+0.000} / _{-.002}	1.501 ^{+0.003} / _{+0.000}	2.000 ^{+0.003} / _{+0.000}	1.500 ^{+0.000} / _{-.003}	1.999 ^{+0.000} / _{-.002}	2.000 ^{+0.003} / _{+0.000}	9.14
U25-1.62	1-5/8	2-1/8	1/4	.275 ^{+0.015} / _{+0.000}	1.625 ^{+0.000} / _{-.002}	1.626 ^{+0.003} / _{+0.000}	2.125 ^{+0.003} / _{+0.000}	1.625 ^{+0.000} / _{-.003}	2.124 ^{+0.000} / _{-.002}	2.125 ^{+0.003} / _{+0.000}	8.56
U25-1.62-37B	1-5/8	2-1/8	3/8	.413 ^{+0.015} / _{+0.000}	1.625 ^{+0.000} / _{-.002}	1.626 ^{+0.003} / _{+0.000}	2.125 ^{+0.003} / _{+0.000}	1.625 ^{+0.000} / _{-.003}	2.124 ^{+0.000} / _{-.002}	2.125 ^{+0.003} / _{+0.000}	9.46
U25-1.75	1-3/4	2-1/4	1/4	.275 ^{+0.015} / _{+0.000}	1.750 ^{+0.000} / _{-.002}	1.751 ^{+0.003} / _{+0.000}	2.250 ^{+0.003} / _{+0.000}	1.750 ^{+0.000} / _{-.003}	2.249 ^{+0.000} / _{-.002}	2.250 ^{+0.003} / _{+0.000}	8.94
U25-1.75-SQB	1-3/4	2-1/4	1/4	.275 ^{+0.015} / _{+0.000}	1.750 ^{+0.000} / _{-.002}	1.751 ^{+0.003} / _{+0.000}	2.250 ^{+0.003} / _{+0.000}	1.750 ^{+0.000} / _{-.003}	2.249 ^{+0.000} / _{-.002}	2.250 ^{+0.003} / _{+0.000}	13.60

STYLE 800 POLYURETHANE U-SEALS

U-SEALS

Part Number	A Nom. ID	B Nom. OD	C Nom. Ht	D GROOVE WIDTH	E ROD DIAMETER	F THROAT DIAMETER	G HOUSING DIAMETER	H GROOVE DIAMETER	I PISTON DIAMETER	J BORE DIAMETER	List Price
U25-1.75-31B	1-3/4	2-1/4	5/16	.344 ^{+0.015} / _{+0.000}	1.750 ^{+0.000} / _{-0.002}	1.751 ^{+0.003} / _{+0.000}	2.250 ^{+0.003} / _{+0.000}	1.750 ^{+0.000} / _{-0.003}	2.249 ^{+0.000} / _{-0.002}	2.250 ^{+0.003} / _{+0.000}	10.56
U25-1.75-37B	1-3/4	2-1/4	3/8	.413 ^{+0.015} / _{+0.000}	1.750 ^{+0.000} / _{-0.002}	1.751 ^{+0.003} / _{+0.000}	2.250 ^{+0.003} / _{+0.000}	1.750 ^{+0.000} / _{-0.003}	2.249 ^{+0.000} / _{-0.002}	2.250 ^{+0.003} / _{+0.000}	9.50
U25-1.75-37D	1-3/4	2-1/4	3/8	.413 ^{+0.015} / _{+0.000}	1.750 ^{+0.000} / _{-0.002}	1.751 ^{+0.003} / _{+0.000}	2.250 ^{+0.003} / _{+0.000}	1.750 ^{+0.000} / _{-0.003}	2.249 ^{+0.000} / _{-0.002}	2.250 ^{+0.003} / _{+0.000}	9.67
U25-1.75-50D	1-3/4	2-1/4	1/2	.550 ^{+0.015} / _{+0.000}	1.750 ^{+0.000} / _{-0.002}	1.751 ^{+0.003} / _{+0.000}	2.250 ^{+0.003} / _{+0.000}	1.750 ^{+0.000} / _{-0.003}	2.249 ^{+0.000} / _{-0.002}	2.250 ^{+0.003} / _{+0.000}	10.22
U25-1.87	1-7/8	2-3/8	1/4	.275 ^{+0.015} / _{+0.000}	1.875 ^{+0.000} / _{-0.002}	1.876 ^{+0.003} / _{+0.000}	2.375 ^{+0.003} / _{+0.000}	1.875 ^{+0.000} / _{-0.003}	2.374 ^{+0.000} / _{-0.002}	2.375 ^{+0.003} / _{+0.000}	9.46
U25-1.87-37B	1-7/8	2-3/8	3/8	.413 ^{+0.015} / _{+0.000}	1.875 ^{+0.000} / _{-0.002}	1.876 ^{+0.003} / _{+0.000}	2.375 ^{+0.003} / _{+0.000}	1.875 ^{+0.000} / _{-0.003}	2.374 ^{+0.000} / _{-0.002}	2.375 ^{+0.003} / _{+0.000}	10.43
U25-2.00	2	2-1/2	1/4	.275 ^{+0.015} / _{+0.000}	2.000 ^{+0.000} / _{-0.002}	2.001 ^{+0.003} / _{+0.000}	2.500 ^{+0.003} / _{+0.000}	2.000 ^{+0.000} / _{-0.003}	2.499 ^{+0.000} / _{-0.002}	2.500 ^{+0.003} / _{+0.000}	9.58
U25-2.00-SQB	2	2-1/2	1/4	.275 ^{+0.015} / _{+0.000}	2.000 ^{+0.000} / _{-0.002}	2.001 ^{+0.003} / _{+0.000}	2.500 ^{+0.003} / _{+0.000}	2.000 ^{+0.000} / _{-0.003}	2.499 ^{+0.000} / _{-0.002}	2.500 ^{+0.003} / _{+0.000}	9.50
U25-2.00-31B	2	2-1/2	5/16	.344 ^{+0.015} / _{+0.000}	2.000 ^{+0.000} / _{-0.002}	2.001 ^{+0.003} / _{+0.000}	2.500 ^{+0.003} / _{+0.000}	2.000 ^{+0.000} / _{-0.003}	2.499 ^{+0.000} / _{-0.002}	2.500 ^{+0.003} / _{+0.000}	9.48
U25-2.00-37B	2	2-1/2	3/8	.413 ^{+0.015} / _{+0.000}	2.000 ^{+0.000} / _{-0.002}	2.001 ^{+0.003} / _{+0.000}	2.500 ^{+0.003} / _{+0.000}	2.000 ^{+0.000} / _{-0.003}	2.499 ^{+0.000} / _{-0.002}	2.500 ^{+0.003} / _{+0.000}	10.40
U25-2.00-37D	2	2-1/2	3/8	.413 ^{+0.015} / _{+0.000}	2.000 ^{+0.000} / _{-0.002}	2.001 ^{+0.003} / _{+0.000}	2.500 ^{+0.003} / _{+0.000}	2.000 ^{+0.000} / _{-0.003}	2.499 ^{+0.000} / _{-0.002}	2.500 ^{+0.003} / _{+0.000}	10.40
U25-2.12	2-1/8	2-5/8	1/4	.275 ^{+0.015} / _{+0.000}	2.125 ^{+0.000} / _{-0.002}	2.126 ^{+0.003} / _{+0.000}	2.625 ^{+0.003} / _{+0.000}	2.125 ^{+0.000} / _{-0.003}	2.624 ^{+0.000} / _{-0.002}	2.625 ^{+0.003} / _{+0.000}	10.49
U25-2.12-37B	2-1/8	2-5/8	3/8	.413 ^{+0.015} / _{+0.000}	2.125 ^{+0.000} / _{-0.002}	2.126 ^{+0.003} / _{+0.000}	2.625 ^{+0.003} / _{+0.000}	2.125 ^{+0.000} / _{-0.003}	2.624 ^{+0.000} / _{-0.002}	2.625 ^{+0.003} / _{+0.000}	11.57
U25-2.18-37B	2-3/16	2-11/16	3/8	.413 ^{+0.015} / _{+0.000}	2.187 ^{+0.000} / _{-0.002}	2.189 ^{+0.003} / _{+0.000}	2.688 ^{+0.003} / _{+0.000}	2.187 ^{+0.000} / _{-0.003}	2.687 ^{+0.000} / _{-0.002}	2.688 ^{+0.003} / _{+0.000}	12.34
U25-2.25	2-1/4	2-3/4	1/4	.275 ^{+0.015} / _{+0.000}	2.250 ^{+0.000} / _{-0.002}	2.251 ^{+0.003} / _{+0.000}	2.750 ^{+0.003} / _{+0.000}	2.250 ^{+0.000} / _{-0.003}	2.749 ^{+0.000} / _{-0.002}	2.750 ^{+0.003} / _{+0.000}	10.93
U25-2.25-37B	2-1/4	2-3/4	3/8	.413 ^{+0.015} / _{+0.000}	2.250 ^{+0.000} / _{-0.002}	2.251 ^{+0.003} / _{+0.000}	2.750 ^{+0.003} / _{+0.000}	2.250 ^{+0.000} / _{-0.003}	2.749 ^{+0.000} / _{-0.002}	2.750 ^{+0.003} / _{+0.000}	11.68
U25-2.25-37D	2-1/4	2-3/4	3/8	.413 ^{+0.015} / _{+0.000}	2.250 ^{+0.000} / _{-0.002}	2.251 ^{+0.003} / _{+0.000}	2.750 ^{+0.003} / _{+0.000}	2.250 ^{+0.000} / _{-0.003}	2.749 ^{+0.000} / _{-0.002}	2.750 ^{+0.003} / _{+0.000}	13.17
U25-2.37	2-3/8	2-7/8	1/4	.275 ^{+0.015} / _{+0.000}	2.375 ^{+0.000} / _{-0.002}	2.376 ^{+0.003} / _{+0.000}	2.875 ^{+0.003} / _{+0.000}	2.375 ^{+0.000} / _{-0.003}	2.874 ^{+0.000} / _{-0.002}	2.875 ^{+0.003} / _{+0.000}	11.56
U25-2.37-37B	2-3/8	2-7/8	3/8	.413 ^{+0.015} / _{+0.000}	2.375 ^{+0.000} / _{-0.002}	2.376 ^{+0.003} / _{+0.000}	2.875 ^{+0.003} / _{+0.000}	2.375 ^{+0.000} / _{-0.003}	2.874 ^{+0.000} / _{-0.002}	2.875 ^{+0.003} / _{+0.000}	12.84
U25-2.50	2-1/2	3	1/4	.275 ^{+0.015} / _{+0.000}	2.500 ^{+0.000} / _{-0.002}	2.501 ^{+0.003} / _{+0.000}	3.000 ^{+0.003} / _{+0.000}	2.500 ^{+0.000} / _{-0.003}	2.999 ^{+0.000} / _{-0.002}	3.000 ^{+0.003} / _{+0.000}	11.50
U25-2.50-SQB	2-1/2	3	1/4	.275 ^{+0.015} / _{+0.000}	2.500 ^{+0.000} / _{-0.002}	2.501 ^{+0.003} / _{+0.000}	3.000 ^{+0.003} / _{+0.000}	2.500 ^{+0.000} / _{-0.003}	2.999 ^{+0.000} / _{-0.002}	3.000 ^{+0.003} / _{+0.000}	11.50
U25-2.50-31B	2-1/2	3	5/16	.344 ^{+0.015} / _{+0.000}	2.500 ^{+0.000} / _{-0.002}	2.501 ^{+0.003} / _{+0.000}	3.000 ^{+0.003} / _{+0.000}	2.500 ^{+0.000} / _{-0.003}	2.999 ^{+0.000} / _{-0.002}	3.000 ^{+0.003} / _{+0.000}	13.23
U25-2.50-31D	2-1/2	3	5/16	.344 ^{+0.015} / _{+0.000}	2.500 ^{+0.000} / _{-0.002}	2.501 ^{+0.003} / _{+0.000}	3.000 ^{+0.003} / _{+0.000}	2.500 ^{+0.000} / _{-0.003}	2.999 ^{+0.000} / _{-0.002}	3.000 ^{+0.003} / _{+0.000}	14.43
U25-2.50-37B	2-1/2	3	3/8	.413 ^{+0.015} / _{+0.000}	2.500 ^{+0.000} / _{-0.002}	2.501 ^{+0.003} / _{+0.000}	3.000 ^{+0.003} / _{+0.000}	2.500 ^{+0.000} / _{-0.003}	2.999 ^{+0.000} / _{-0.002}	3.000 ^{+0.003} / _{+0.000}	12.86
U25-2.50-37D	2-1/2	3	3/8	.413 ^{+0.015} / _{+0.000}	2.500 ^{+0.000} / _{-0.002}	2.501 ^{+0.003} / _{+0.000}	3.000 ^{+0.003} / _{+0.000}	2.500 ^{+0.000} / _{-0.003}	2.999 ^{+0.000} / _{-0.002}	3.000 ^{+0.003} / _{+0.000}	12.86
U25-2.50-50B	2-1/2	3	1/2	.550 ^{+0.015} / _{+0.000}	2.500 ^{+0.000} / _{-0.002}	2.501 ^{+0.003} / _{+0.000}	3.000 ^{+0.003} / _{+0.000}	2.500 ^{+0.000} / _{-0.003}	2.999 ^{+0.000} / _{-0.002}	3.000 ^{+0.003} / _{+0.000}	12.86
U25-2.62	2-5/8	3-1/8	1/4	.275 ^{+0.015} / _{+0.000}	2.625 ^{+0.000} / _{-0.002}	2.626 ^{+0.003} / _{+0.000}	3.125 ^{+0.003} / _{+0.000}	2.625 ^{+0.000} / _{-0.003}	3.124 ^{+0.000} / _{-0.002}	3.125 ^{+0.003} / _{+0.000}	12.89
U25-2.62-37B	2-5/8	3-1/8	3/8	.413 ^{+0.015} / _{+0.000}	2.625 ^{+0.000} / _{-0.002}	2.626 ^{+0.003} / _{+0.000}	3.125 ^{+0.003} / _{+0.000}	2.625 ^{+0.000} / _{-0.003}	3.124 ^{+0.000} / _{-0.002}	3.125 ^{+0.003} / _{+0.000}	13.41
U25-2.75	2-3/4	3-1/4	1/4	.275 ^{+0.015} / _{+0.000}	2.750 ^{+0.000} / _{-0.002}	2.751 ^{+0.003} / _{+0.000}	3.250 ^{+0.003} / _{+0.000}	2.750 ^{+0.000} / _{-0.003}	3.249 ^{+0.000} / _{-0.002}	3.250 ^{+0.003} / _{+0.000}	12.46
U25-2.75-SQB	2-3/4	3-1/4	1/4	.275 ^{+0.015} / _{+0.000}	2.750 ^{+0.000} / _{-0.002}	2.751 ^{+0.003} / _{+0.000}	3.250 ^{+0.003} / _{+0.000}	2.750 ^{+0.000} / _{-0.003}	3.249 ^{+0.000} / _{-0.002}	3.250 ^{+0.003} / _{+0.000}	12.46
U25-2.75-37B	2-3/4	3-1/4	3/8	.413 ^{+0.015} / _{+0.000}	2.750 ^{+0.000} / _{-0.002}	2.751 ^{+0.003} / _{+0.000}	3.250 ^{+0.003} / _{+0.000}	2.750 ^{+0.000} / _{-0.003}	3.249 ^{+0.000} / _{-0.002}	3.250 ^{+0.003} / _{+0.000}	14.05
U25-2.75-37D	2-3/4	3-1/4	3/8	.413 ^{+0.015} / _{+0.000}	2.750 ^{+0.000} / _{-0.002}	2.751 ^{+0.003} / _{+0.000}	3.250 ^{+0.003} / _{+0.000}	2.750 ^{+0.000} / _{-0.003}	3.249 ^{+0.000} / _{-0.002}	3.250 ^{+0.003} / _{+0.000}	14.05
U25-2.75-50B	2-3/4	3-1/4	1/2	.550 ^{+0.015} / _{+0.000}	2.750 ^{+0.000} / _{-0.002}	2.751 ^{+0.003} / _{+0.000}	3.250 ^{+0.003} / _{+0.000}	2.750 ^{+0.000} / _{-0.003}	3.249 ^{+0.000} / _{-0.002}	3.250 ^{+0.003} / _{+0.000}	14.25

STYLE 800 POLYURETHANE U-SEALS

U-SEALS

Part Number	A Nom. ID	B Nom. OD	C Nom. Ht	D GROOVE WIDTH	E ROD DIAMETER	F THROAT DIAMETER	G HOUSING DIAMETER	H GROOVE DIAMETER	I PISTON DIAMETER	J BORE DIAMETER	List Price
U25-2.87	2-7/8	3-3/8	1/4	.275 ^{+0.015} / _{+0.000}	2.875 ^{+0.000} / _{-.002}	2.876 ^{+0.003} / _{+0.000}	3.375 ^{+0.003} / _{+0.000}	2.875 ^{+0.000} / _{-.003}	3.374 ^{+0.000} / _{-.002}	3.375 ^{+0.003} / _{+0.000}	13.56
U25-2.87-37B	2-7/8	3-3/8	3/8	.413 ^{+0.015} / _{+0.000}	2.875 ^{+0.000} / _{-.002}	2.876 ^{+0.003} / _{+0.000}	3.375 ^{+0.003} / _{+0.000}	2.875 ^{+0.000} / _{-.003}	3.374 ^{+0.000} / _{-.002}	3.375 ^{+0.003} / _{+0.000}	14.58
U25-3.00	3	3-1/2	1/4	.275 ^{+0.015} / _{+0.000}	3.000 ^{+0.000} / _{-.002}	3.001 ^{+0.003} / _{+0.000}	3.500 ^{+0.003} / _{+0.000}	3.000 ^{+0.000} / _{-.003}	3.499 ^{+0.000} / _{-.002}	3.500 ^{+0.003} / _{+0.000}	13.41
U25-3.00-SQB	3	3-1/2	1/4	.275 ^{+0.015} / _{+0.000}	3.000 ^{+0.000} / _{-.002}	3.001 ^{+0.003} / _{+0.000}	3.500 ^{+0.003} / _{+0.000}	3.000 ^{+0.000} / _{-.003}	3.499 ^{+0.000} / _{-.002}	3.500 ^{+0.003} / _{+0.000}	13.41
U25-3.00-37B	3	3-1/2	3/8	.413 ^{+0.015} / _{+0.000}	3.000 ^{+0.000} / _{-.002}	3.001 ^{+0.003} / _{+0.000}	3.500 ^{+0.003} / _{+0.000}	3.000 ^{+0.000} / _{-.003}	3.499 ^{+0.000} / _{-.002}	3.500 ^{+0.003} / _{+0.000}	15.16
U25-3.00-37D	3	3-1/2	3/8	.413 ^{+0.015} / _{+0.000}	3.000 ^{+0.000} / _{-.002}	3.001 ^{+0.003} / _{+0.000}	3.500 ^{+0.003} / _{+0.000}	3.000 ^{+0.000} / _{-.003}	3.499 ^{+0.000} / _{-.002}	3.500 ^{+0.003} / _{+0.000}	15.16
U25-3.00-50B	3	3-1/2	1/2	.550 ^{+0.015} / _{+0.000}	3.000 ^{+0.000} / _{-.002}	3.001 ^{+0.003} / _{+0.000}	3.500 ^{+0.003} / _{+0.000}	3.000 ^{+0.000} / _{-.003}	3.499 ^{+0.000} / _{-.002}	3.500 ^{+0.003} / _{+0.000}	11.61
U25-3.12	3-1/8	3-5/8	1/4	.275 ^{+0.015} / _{+0.000}	3.125 ^{+0.000} / _{-.002}	3.126 ^{+0.003} / _{+0.000}	3.625 ^{+0.003} / _{+0.000}	3.125 ^{+0.000} / _{-.003}	3.624 ^{+0.000} / _{-.002}	3.625 ^{+0.003} / _{+0.000}	14.65
U25-3.12-37B	3-1/8	3-5/8	3/8	.413 ^{+0.015} / _{+0.000}	3.125 ^{+0.000} / _{-.002}	3.126 ^{+0.003} / _{+0.000}	3.625 ^{+0.003} / _{+0.000}	3.125 ^{+0.000} / _{-.003}	3.624 ^{+0.000} / _{-.002}	3.625 ^{+0.003} / _{+0.000}	18.85
U25-3.25	3-1/4	3-3/4	1/4	.275 ^{+0.015} / _{+0.000}	3.250 ^{+0.000} / _{-.002}	3.251 ^{+0.003} / _{+0.000}	3.750 ^{+0.003} / _{+0.000}	3.250 ^{+0.000} / _{-.003}	3.749 ^{+0.000} / _{-.002}	3.750 ^{+0.003} / _{+0.000}	15.05
U25-3.25-37B	3-1/4	3-3/4	3/8	.413 ^{+0.015} / _{+0.000}	3.250 ^{+0.000} / _{-.002}	3.251 ^{+0.003} / _{+0.000}	3.750 ^{+0.003} / _{+0.000}	3.250 ^{+0.000} / _{-.003}	3.749 ^{+0.000} / _{-.002}	3.750 ^{+0.003} / _{+0.000}	16.34
U25-3.25-37D	3-1/4	3-3/4	3/8	.413 ^{+0.015} / _{+0.000}	3.250 ^{+0.000} / _{-.002}	3.251 ^{+0.003} / _{+0.000}	3.750 ^{+0.003} / _{+0.000}	3.250 ^{+0.000} / _{-.003}	3.749 ^{+0.000} / _{-.002}	3.750 ^{+0.003} / _{+0.000}	16.34
U25-3.25-50B	3-1/4	3-3/4	1/2	.550 ^{+0.015} / _{+0.000}	3.250 ^{+0.000} / _{-.002}	3.251 ^{+0.003} / _{+0.000}	3.750 ^{+0.003} / _{+0.000}	3.250 ^{+0.000} / _{-.003}	3.749 ^{+0.000} / _{-.002}	3.750 ^{+0.003} / _{+0.000}	17.04
U25-3.37	3-3/8	3-7/8	1/4	.275 ^{+0.015} / _{+0.000}	3.375 ^{+0.000} / _{-.002}	3.376 ^{+0.003} / _{+0.000}	3.875 ^{+0.003} / _{+0.000}	3.375 ^{+0.000} / _{-.003}	3.874 ^{+0.000} / _{-.002}	3.875 ^{+0.003} / _{+0.000}	17.50
U25-3.37-SQB	3-3/8	3-7/8	1/4	.275 ^{+0.015} / _{+0.000}	3.375 ^{+0.000} / _{-.002}	3.376 ^{+0.003} / _{+0.000}	3.875 ^{+0.003} / _{+0.000}	3.375 ^{+0.000} / _{-.003}	3.874 ^{+0.000} / _{-.002}	3.875 ^{+0.003} / _{+0.000}	15.56
U25-3.37-37B	3-3/8	3-7/8	3/8	.413 ^{+0.015} / _{+0.000}	3.375 ^{+0.000} / _{-.002}	3.376 ^{+0.003} / _{+0.000}	3.875 ^{+0.003} / _{+0.000}	3.375 ^{+0.000} / _{-.003}	3.874 ^{+0.000} / _{-.002}	3.875 ^{+0.003} / _{+0.000}	16.93
U25-3.50	3-1/2	4	1/4	.275 ^{+0.015} / _{+0.000}	3.500 ^{+0.000} / _{-.002}	3.501 ^{+0.003} / _{+0.000}	4.000 ^{+0.003} / _{+0.000}	3.500 ^{+0.000} / _{-.003}	3.999 ^{+0.000} / _{-.002}	4.000 ^{+0.003} / _{+0.000}	16.08
U25-3.50-SQB	3-1/2	4	1/4	.275 ^{+0.015} / _{+0.000}	3.500 ^{+0.000} / _{-.002}	3.501 ^{+0.003} / _{+0.000}	4.000 ^{+0.003} / _{+0.000}	3.500 ^{+0.000} / _{-.003}	3.999 ^{+0.000} / _{-.002}	4.000 ^{+0.003} / _{+0.000}	16.08
U25-3.50CN	3-1/2	4	1/4	.275 ^{+0.015} / _{+0.000}	3.500 ^{+0.000} / _{-.002}	3.501 ^{+0.003} / _{+0.000}	4.000 ^{+0.003} / _{+0.000}	3.500 ^{+0.000} / _{-.003}	3.999 ^{+0.000} / _{-.002}	4.000 ^{+0.003} / _{+0.000}	60.92
U25-3.50-37B	3-1/2	4	3/8	.413 ^{+0.015} / _{+0.000}	3.500 ^{+0.000} / _{-.002}	3.501 ^{+0.003} / _{+0.000}	4.000 ^{+0.003} / _{+0.000}	3.500 ^{+0.000} / _{-.003}	3.999 ^{+0.000} / _{-.002}	4.000 ^{+0.003} / _{+0.000}	17.50
U25-3.50-37D	3-1/2	4	3/8	.413 ^{+0.015} / _{+0.000}	3.500 ^{+0.000} / _{-.002}	3.501 ^{+0.003} / _{+0.000}	4.000 ^{+0.003} / _{+0.000}	3.500 ^{+0.000} / _{-.003}	3.999 ^{+0.000} / _{-.002}	4.000 ^{+0.003} / _{+0.000}	17.50
U25-3.50-50B	3-1/2	4	1/2	.550 ^{+0.015} / _{+0.000}	3.500 ^{+0.000} / _{-.002}	3.501 ^{+0.003} / _{+0.000}	4.000 ^{+0.003} / _{+0.000}	3.500 ^{+0.000} / _{-.003}	3.999 ^{+0.000} / _{-.002}	4.000 ^{+0.003} / _{+0.000}	17.77
U25-3.50-50D	3-1/2	4	1/2	.550 ^{+0.015} / _{+0.000}	3.500 ^{+0.000} / _{-.002}	3.501 ^{+0.003} / _{+0.000}	4.000 ^{+0.003} / _{+0.000}	3.500 ^{+0.000} / _{-.003}	3.999 ^{+0.000} / _{-.002}	4.000 ^{+0.003} / _{+0.000}	20.35
U25-3.62	3-5/8	4-1/8	1/4	.275 ^{+0.015} / _{+0.000}	3.625 ^{+0.000} / _{-.002}	3.626 ^{+0.003} / _{+0.000}	4.125 ^{+0.003} / _{+0.000}	3.625 ^{+0.000} / _{-.003}	4.124 ^{+0.000} / _{-.002}	4.125 ^{+0.003} / _{+0.000}	16.59
U25-3.69-50B	3.69	4.19	1/2	.550 ^{+0.015} / _{+0.000}	3.690 ^{+0.000} / _{-.002}	3.691 ^{+0.003} / _{+0.000}	4.190 ^{+0.003} / _{+0.000}	3.690 ^{+0.000} / _{-.003}	4.189 ^{+0.000} / _{-.002}	4.190 ^{+0.003} / _{+0.000}	22.68
U25-3.75-SQB	3-3/4	4-1/4	1/4	.275 ^{+0.015} / _{+0.000}	3.750 ^{+0.000} / _{-.002}	3.751 ^{+0.003} / _{+0.000}	4.250 ^{+0.003} / _{+0.000}	3.750 ^{+0.000} / _{-.003}	4.249 ^{+0.000} / _{-.002}	4.250 ^{+0.003} / _{+0.000}	17.17
U25-3.75-37B	3-3/4	4-1/4	3/8	.413 ^{+0.015} / _{+0.000}	3.750 ^{+0.000} / _{-.002}	3.751 ^{+0.003} / _{+0.000}	4.250 ^{+0.003} / _{+0.000}	3.750 ^{+0.000} / _{-.003}	4.249 ^{+0.000} / _{-.002}	4.250 ^{+0.003} / _{+0.000}	18.52
U25-3.75-50B	3-3/4	4-1/4	1/2	.550 ^{+0.015} / _{+0.000}	3.750 ^{+0.000} / _{-.002}	3.751 ^{+0.003} / _{+0.000}	4.250 ^{+0.003} / _{+0.000}	3.750 ^{+0.000} / _{-.003}	4.249 ^{+0.000} / _{-.002}	4.250 ^{+0.003} / _{+0.000}	18.52
U25-3.75-56B	3-3/4	4-1/4	9/16	.619 ^{+0.015} / _{+0.000}	3.750 ^{+0.000} / _{-.002}	3.751 ^{+0.003} / _{+0.000}	4.250 ^{+0.003} / _{+0.000}	3.750 ^{+0.000} / _{-.003}	4.249 ^{+0.000} / _{-.002}	4.250 ^{+0.003} / _{+0.000}	18.52
U25-3.87	3-7/8	4-3/8	1/4	.275 ^{+0.015} / _{+0.000}	3.875 ^{+0.000} / _{-.002}	3.876 ^{+0.003} / _{+0.000}	4.375 ^{+0.003} / _{+0.000}	3.875 ^{+0.000} / _{-.003}	4.374 ^{+0.000} / _{-.002}	4.375 ^{+0.003} / _{+0.000}	17.62
U25-4.00	4	4-1/2	1/4	.275 ^{+0.015} / _{+0.000}	4.000 ^{+0.000} / _{-.002}	4.001 ^{+0.003} / _{+0.000}	4.500 ^{+0.003} / _{+0.000}	4.000 ^{+0.000} / _{-.003}	4.499 ^{+0.000} / _{-.002}	4.500 ^{+0.003} / _{+0.000}	17.26
U25-4.00-SQB	4	4-1/2	1/4	.275 ^{+0.015} / _{+0.000}	4.000 ^{+0.000} / _{-.002}	4.001 ^{+0.003} / _{+0.000}	4.500 ^{+0.003} / _{+0.000}	4.000 ^{+0.000} / _{-.003}	4.499 ^{+0.000} / _{-.002}	4.500 ^{+0.003} / _{+0.000}	17.26
U25-4.00-31B	4	4-1/2	5/16	.344 ^{+0.015} / _{+0.000}	4.000 ^{+0.000} / _{-.002}	4.001 ^{+0.003} / _{+0.000}	4.500 ^{+0.003} / _{+0.000}	4.000 ^{+0.000} / _{-.003}	4.499 ^{+0.000} / _{-.002}	4.500 ^{+0.003} / _{+0.000}	20.15

STYLE 800 POLYURETHANE U-SEALS

U-SEALS

Part Number	A Nom. ID	B Nom. OD	C Nom. Ht	D GROOVE WIDTH	E ROD DIAMETER	F THROAT DIAMETER	G HOUSING DIAMETER	H GROOVE DIAMETER	I PISTON DIAMETER	J BORE DIAMETER	List Price
U25-4.00-37B	4	4-1/2	3/8	.413 ⁺⁰¹⁵ / ₊₀₀₀	4.000 ⁺⁰⁰⁰ / _{-.002}	4.001 ⁺⁰⁰³ / ₊₀₀₀	4.500 ⁺⁰⁰³ / ₊₀₀₀	4.000 ⁺⁰⁰⁰ / _{-.003}	4.499 ⁺⁰⁰⁰ / _{-.002}	4.500 ⁺⁰⁰³ / ₊₀₀₀	20.15
U25-4.00-37D	4	4-1/2	3/8	.413 ⁺⁰¹⁵ / ₊₀₀₀	4.000 ⁺⁰⁰⁰ / _{-.002}	4.001 ⁺⁰⁰³ / ₊₀₀₀	4.500 ⁺⁰⁰³ / ₊₀₀₀	4.000 ⁺⁰⁰⁰ / _{-.003}	4.499 ⁺⁰⁰⁰ / _{-.002}	4.500 ⁺⁰⁰³ / ₊₀₀₀	20.15
U25-4.00-50B	4	4-1/2	1/2	.550 ⁺⁰¹⁵ / ₊₀₀₀	4.000 ⁺⁰⁰⁰ / _{-.002}	4.001 ⁺⁰⁰³ / ₊₀₀₀	4.500 ⁺⁰⁰³ / ₊₀₀₀	4.000 ⁺⁰⁰⁰ / _{-.003}	4.499 ⁺⁰⁰⁰ / _{-.002}	4.500 ⁺⁰⁰³ / ₊₀₀₀	21.75
U25-4.00-50D	4	4-1/2	1/2	.550 ⁺⁰¹⁵ / ₊₀₀₀	4.000 ⁺⁰⁰⁰ / _{-.002}	4.001 ⁺⁰⁰³ / ₊₀₀₀	4.500 ⁺⁰⁰³ / ₊₀₀₀	4.000 ⁺⁰⁰⁰ / _{-.003}	4.499 ⁺⁰⁰⁰ / _{-.002}	4.500 ⁺⁰⁰³ / ₊₀₀₀	20.15
U25-4.00-56B	4	4-1/2	9/16	.619 ⁺⁰¹⁵ / ₊₀₀₀	4.000 ⁺⁰⁰⁰ / _{-.002}	4.001 ⁺⁰⁰³ / ₊₀₀₀	4.500 ⁺⁰⁰³ / ₊₀₀₀	4.000 ⁺⁰⁰⁰ / _{-.003}	4.499 ⁺⁰⁰⁰ / _{-.002}	4.500 ⁺⁰⁰³ / ₊₀₀₀	20.15
U25-4.00-56D	4	4-1/2	9/16	.619 ⁺⁰¹⁵ / ₊₀₀₀	4.000 ⁺⁰⁰⁰ / _{-.002}	4.001 ⁺⁰⁰³ / ₊₀₀₀	4.500 ⁺⁰⁰³ / ₊₀₀₀	4.000 ⁺⁰⁰⁰ / _{-.003}	4.499 ⁺⁰⁰⁰ / _{-.002}	4.500 ⁺⁰⁰³ / ₊₀₀₀	23.89
U25-4.00-56F	4	4-1/2	9/16	.619 ⁺⁰¹⁵ / ₊₀₀₀	4.000 ⁺⁰⁰⁰ / _{-.002}	4.001 ⁺⁰⁰³ / ₊₀₀₀	4.500 ⁺⁰⁰³ / ₊₀₀₀	4.000 ⁺⁰⁰⁰ / _{-.003}	4.499 ⁺⁰⁰⁰ / _{-.002}	4.500 ⁺⁰⁰³ / ₊₀₀₀	31.97
U25-4.12	4-1/8	4-5/8	1/4	.275 ⁺⁰¹⁵ / ₊₀₀₀	4.125 ⁺⁰⁰⁰ / _{-.002}	4.126 ⁺⁰⁰³ / ₊₀₀₀	4.625 ⁺⁰⁰³ / ₊₀₀₀	4.125 ⁺⁰⁰⁰ / _{-.003}	4.624 ⁺⁰⁰⁰ / _{-.002}	4.625 ⁺⁰⁰³ / ₊₀₀₀	18.70
U25-4.12-37B	4-1/8	4-5/8	3/8	.413 ⁺⁰¹⁵ / ₊₀₀₀	4.125 ⁺⁰⁰⁰ / _{-.002}	4.126 ⁺⁰⁰³ / ₊₀₀₀	4.625 ⁺⁰⁰³ / ₊₀₀₀	4.125 ⁺⁰⁰⁰ / _{-.003}	4.624 ⁺⁰⁰⁰ / _{-.002}	4.625 ⁺⁰⁰³ / ₊₀₀₀	21.99
U25-4.25	4-1/4	4-3/4	1/4	.275 ⁺⁰¹⁵ / ₊₀₀₀	4.250 ⁺⁰⁰⁰ / _{-.002}	4.251 ⁺⁰⁰³ / ₊₀₀₀	4.750 ⁺⁰⁰³ / ₊₀₀₀	4.250 ⁺⁰⁰⁰ / _{-.003}	4.749 ⁺⁰⁰⁰ / _{-.002}	4.750 ⁺⁰⁰³ / ₊₀₀₀	19.12
U25-4.25-37B	4-1/4	4-3/4	3/8	.413 ⁺⁰¹⁵ / ₊₀₀₀	4.250 ⁺⁰⁰⁰ / _{-.002}	4.251 ⁺⁰⁰³ / ₊₀₀₀	4.750 ⁺⁰⁰³ / ₊₀₀₀	4.250 ⁺⁰⁰⁰ / _{-.003}	4.749 ⁺⁰⁰⁰ / _{-.002}	4.750 ⁺⁰⁰³ / ₊₀₀₀	24.11
U25-4.25-56B	4-1/4	4-3/4	9/16	.619 ⁺⁰¹⁵ / ₊₀₀₀	4.250 ⁺⁰⁰⁰ / _{-.002}	4.251 ⁺⁰⁰³ / ₊₀₀₀	4.750 ⁺⁰⁰³ / ₊₀₀₀	4.250 ⁺⁰⁰⁰ / _{-.003}	4.749 ⁺⁰⁰⁰ / _{-.002}	4.750 ⁺⁰⁰³ / ₊₀₀₀	24.11
U25-4.37	4-3/8	4-7/8	1/4	.275 ⁺⁰¹⁵ / ₊₀₀₀	4.375 ⁺⁰⁰⁰ / _{-.002}	4.376 ⁺⁰⁰³ / ₊₀₀₀	4.875 ⁺⁰⁰³ / ₊₀₀₀	4.375 ⁺⁰⁰⁰ / _{-.003}	4.874 ⁺⁰⁰⁰ / _{-.002}	4.875 ⁺⁰⁰³ / ₊₀₀₀	15.29
U25-4.37-SQB	4-3/8	4-7/8	1/4	.275 ⁺⁰¹⁵ / ₊₀₀₀	4.375 ⁺⁰⁰⁰ / _{-.002}	4.376 ⁺⁰⁰³ / ₊₀₀₀	4.875 ⁺⁰⁰³ / ₊₀₀₀	4.375 ⁺⁰⁰⁰ / _{-.003}	4.874 ⁺⁰⁰⁰ / _{-.002}	4.875 ⁺⁰⁰³ / ₊₀₀₀	19.59
U25-4.37-56B	4-3/8	4-7/8	9/16	.619 ⁺⁰¹⁵ / ₊₀₀₀	4.375 ⁺⁰⁰⁰ / _{-.002}	4.376 ⁺⁰⁰³ / ₊₀₀₀	4.875 ⁺⁰⁰³ / ₊₀₀₀	4.375 ⁺⁰⁰⁰ / _{-.003}	4.874 ⁺⁰⁰⁰ / _{-.002}	4.875 ⁺⁰⁰³ / ₊₀₀₀	23.74
U25-4.50	4-1/2	5	1/4	.275 ⁺⁰¹⁵ / ₊₀₀₀	4.500 ⁺⁰⁰⁰ / _{-.002}	4.501 ⁺⁰⁰³ / ₊₀₀₀	5.000 ⁺⁰⁰³ / ₊₀₀₀	4.500 ⁺⁰⁰⁰ / _{-.003}	4.999 ⁺⁰⁰⁰ / _{-.002}	5.000 ⁺⁰⁰³ / ₊₀₀₀	19.30
U25-4.50-31B	4-1/2	5	5/16	.344 ⁺⁰¹⁵ / ₊₀₀₀	4.500 ⁺⁰⁰⁰ / _{-.002}	4.501 ⁺⁰⁰³ / ₊₀₀₀	5.000 ⁺⁰⁰³ / ₊₀₀₀	4.500 ⁺⁰⁰⁰ / _{-.003}	4.999 ⁺⁰⁰⁰ / _{-.002}	5.000 ⁺⁰⁰³ / ₊₀₀₀	23.89
U25-4.50-37B	4-1/2	5	3/8	.413 ⁺⁰¹⁵ / ₊₀₀₀	4.500 ⁺⁰⁰⁰ / _{-.002}	4.501 ⁺⁰⁰³ / ₊₀₀₀	5.000 ⁺⁰⁰³ / ₊₀₀₀	4.500 ⁺⁰⁰⁰ / _{-.003}	4.999 ⁺⁰⁰⁰ / _{-.002}	5.000 ⁺⁰⁰³ / ₊₀₀₀	23.89
U25-4.50-37D	4-1/2	5	3/8	.413 ⁺⁰¹⁵ / ₊₀₀₀	4.500 ⁺⁰⁰⁰ / _{-.002}	4.501 ⁺⁰⁰³ / ₊₀₀₀	5.000 ⁺⁰⁰³ / ₊₀₀₀	4.500 ⁺⁰⁰⁰ / _{-.003}	4.999 ⁺⁰⁰⁰ / _{-.002}	5.000 ⁺⁰⁰³ / ₊₀₀₀	23.89
U25-4.50-50B	4-1/2	5	1/2	.550 ⁺⁰¹⁵ / ₊₀₀₀	4.500 ⁺⁰⁰⁰ / _{-.002}	4.501 ⁺⁰⁰³ / ₊₀₀₀	5.000 ⁺⁰⁰³ / ₊₀₀₀	4.500 ⁺⁰⁰⁰ / _{-.003}	4.999 ⁺⁰⁰⁰ / _{-.002}	5.000 ⁺⁰⁰³ / ₊₀₀₀	23.89
U25-4.50-50D	4-1/2	5	1/2	.550 ⁺⁰¹⁵ / ₊₀₀₀	4.500 ⁺⁰⁰⁰ / _{-.002}	4.501 ⁺⁰⁰³ / ₊₀₀₀	5.000 ⁺⁰⁰³ / ₊₀₀₀	4.500 ⁺⁰⁰⁰ / _{-.003}	4.999 ⁺⁰⁰⁰ / _{-.002}	5.000 ⁺⁰⁰³ / ₊₀₀₀	23.89
U25-4.50-56B	4-1/2	5	9/16	.619 ⁺⁰¹⁵ / ₊₀₀₀	4.500 ⁺⁰⁰⁰ / _{-.002}	4.501 ⁺⁰⁰³ / ₊₀₀₀	5.000 ⁺⁰⁰³ / ₊₀₀₀	4.500 ⁺⁰⁰⁰ / _{-.003}	4.999 ⁺⁰⁰⁰ / _{-.002}	5.000 ⁺⁰⁰³ / ₊₀₀₀	23.89
U25-4.50-56D	4-1/2	5	9/16	.619 ⁺⁰¹⁵ / ₊₀₀₀	4.500 ⁺⁰⁰⁰ / _{-.002}	4.501 ⁺⁰⁰³ / ₊₀₀₀	5.000 ⁺⁰⁰³ / ₊₀₀₀	4.500 ⁺⁰⁰⁰ / _{-.003}	4.999 ⁺⁰⁰⁰ / _{-.002}	5.000 ⁺⁰⁰³ / ₊₀₀₀	23.89
U25-4.50-62B	4-1/2	5	5/8	.688 ⁺⁰¹⁵ / ₊₀₀₀	4.500 ⁺⁰⁰⁰ / _{-.002}	4.501 ⁺⁰⁰³ / ₊₀₀₀	5.000 ⁺⁰⁰³ / ₊₀₀₀	4.500 ⁺⁰⁰⁰ / _{-.003}	4.999 ⁺⁰⁰⁰ / _{-.002}	5.000 ⁺⁰⁰³ / ₊₀₀₀	28.17
U25-4.62-SQB	4-5/8	5-1/8	1/4	.275 ⁺⁰¹⁵ / ₊₀₀₀	4.625 ⁺⁰⁰⁰ / _{-.002}	4.626 ⁺⁰⁰³ / ₊₀₀₀	5.125 ⁺⁰⁰³ / ₊₀₀₀	4.625 ⁺⁰⁰⁰ / _{-.003}	5.124 ⁺⁰⁰⁰ / _{-.002}	5.125 ⁺⁰⁰³ / ₊₀₀₀	19.75
U25-4.62-56B	4-5/8	5-1/8	9/16	.619 ⁺⁰¹⁵ / ₊₀₀₀	4.625 ⁺⁰⁰⁰ / _{-.002}	4.626 ⁺⁰⁰³ / ₊₀₀₀	5.125 ⁺⁰⁰³ / ₊₀₀₀	4.625 ⁺⁰⁰⁰ / _{-.003}	5.124 ⁺⁰⁰⁰ / _{-.002}	5.125 ⁺⁰⁰³ / ₊₀₀₀	25.41
U25-4.75	4-3/4	5-1/4	1/4	.275 ⁺⁰¹⁵ / ₊₀₀₀	4.750 ⁺⁰⁰⁰ / _{-.002}	4.751 ⁺⁰⁰³ / ₊₀₀₀	5.250 ⁺⁰⁰³ / ₊₀₀₀	4.750 ⁺⁰⁰⁰ / _{-.003}	5.249 ⁺⁰⁰⁰ / _{-.002}	5.250 ⁺⁰⁰³ / ₊₀₀₀	20.27
U25-4.75-37B	4-3/4	5-1/4	3/8	.413 ⁺⁰¹⁵ / ₊₀₀₀	4.750 ⁺⁰⁰⁰ / _{-.002}	4.751 ⁺⁰⁰³ / ₊₀₀₀	5.250 ⁺⁰⁰³ / ₊₀₀₀	4.750 ⁺⁰⁰⁰ / _{-.003}	5.249 ⁺⁰⁰⁰ / _{-.002}	5.250 ⁺⁰⁰³ / ₊₀₀₀	26.23
U25-4.75-56B	4-3/4	5-1/4	9/16	.619 ⁺⁰¹⁵ / ₊₀₀₀	4.750 ⁺⁰⁰⁰ / _{-.002}	4.751 ⁺⁰⁰³ / ₊₀₀₀	5.250 ⁺⁰⁰³ / ₊₀₀₀	4.750 ⁺⁰⁰⁰ / _{-.003}	5.249 ⁺⁰⁰⁰ / _{-.002}	5.250 ⁺⁰⁰³ / ₊₀₀₀	26.23
U25-4.87	4-7/8	5-3/8	1/4	.275 ⁺⁰¹⁵ / ₊₀₀₀	4.875 ⁺⁰⁰⁰ / _{-.002}	4.876 ⁺⁰⁰³ / ₊₀₀₀	5.375 ⁺⁰⁰³ / ₊₀₀₀	4.875 ⁺⁰⁰⁰ / _{-.003}	5.374 ⁺⁰⁰⁰ / _{-.002}	5.375 ⁺⁰⁰³ / ₊₀₀₀	21.79
U25-5.00	5	5-1/2	1/4	.275 ⁺⁰¹⁵ / ₊₀₀₀	5.000 ⁺⁰⁰⁰ / _{-.002}	5.001 ⁺⁰⁰³ / ₊₀₀₀	5.500 ⁺⁰⁰³ / ₊₀₀₀	5.000 ⁺⁰⁰⁰ / _{-.003}	5.499 ⁺⁰⁰⁰ / _{-.002}	5.500 ⁺⁰⁰³ / ₊₀₀₀	21.22
U25-5.00-37B	5	5-1/2	3/8	.413 ⁺⁰¹⁵ / ₊₀₀₀	5.000 ⁺⁰⁰⁰ / _{-.002}	5.001 ⁺⁰⁰³ / ₊₀₀₀	5.500 ⁺⁰⁰³ / ₊₀₀₀	5.000 ⁺⁰⁰⁰ / _{-.003}	5.499 ⁺⁰⁰⁰ / _{-.002}	5.500 ⁺⁰⁰³ / ₊₀₀₀	27.65
U25-5.00-50B	5	5-1/2	1/2	.550 ⁺⁰¹⁵ / ₊₀₀₀	5.000 ⁺⁰⁰⁰ / _{-.002}	5.001 ⁺⁰⁰³ / ₊₀₀₀	5.500 ⁺⁰⁰³ / ₊₀₀₀	5.000 ⁺⁰⁰⁰ / _{-.003}	5.499 ⁺⁰⁰⁰ / _{-.002}	5.500 ⁺⁰⁰³ / ₊₀₀₀	27.65

STYLE 800 POLYURETHANE U-SEALS

U-SEALS

Part Number	A Nom. ID	B Nom. OD	C Nom. Ht	D GROOVE WIDTH	E ROD DIAMETER	F THROAT DIAMETER	G HOUSING DIAMETER	H GROOVE DIAMETER	I PISTON DIAMETER	J BORE DIAMETER	List Price
U25-5.00-50D	5	5-1/2	1/2	.550 +.015 +.000	5.000 +.000 -.002	5.001 +.003 +.000	5.500 +.003 +.000	5.000 +.000 -.003	5.499 +.000 -.002	5.500 +.003 +.000	27.65
U25-5.00-56B	5	5-1/2	9/16	.619 +.015 +.000	5.000 +.000 -.002	5.001 +.003 +.000	5.500 +.003 +.000	5.000 +.000 -.003	5.499 +.000 -.002	5.500 +.003 +.000	27.65
U25-5.12	5-1/8	5-5/8	1/4	.275 +.015 +.000	5.125 +.000 -.002	5.126 +.003 +.000	5.625 +.003 +.000	5.125 +.000 -.003	5.624 +.000 -.002	5.625 +.003 +.000	22.71
U25-5.25	5-1/4	5-3/4	1/4	.275 +.015 +.000	5.250 +.000 -.002	5.251 +.003 +.000	5.750 +.003 +.000	5.250 +.000 -.003	5.749 +.000 -.002	5.750 +.003 +.000	21.90
U25-5.25-SQB	5-1/4	5-3/4	1/4	.275 +.015 +.000	5.250 +.000 -.002	5.251 +.003 +.000	5.750 +.003 +.000	5.250 +.000 -.003	5.749 +.000 -.002	5.750 +.003 +.000	20.93
U25-5.25-37B	5-1/4	5-3/4	3/8	.413 +.015 +.000	5.250 +.000 -.002	5.251 +.003 +.000	5.750 +.003 +.000	5.250 +.000 -.003	5.749 +.000 -.002	5.750 +.003 +.000	31.45
U25-5.25-56B	5-1/4	5-3/4	9/16	.619 +.015 +.000	5.250 +.000 -.002	5.251 +.003 +.000	5.750 +.003 +.000	5.250 +.000 -.003	5.749 +.000 -.002	5.750 +.003 +.000	31.45
U25-5.37	5-3/8	5-7/8	1/4	.275 +.015 +.000	5.375 +.000 -.002	5.376 +.003 +.000	5.875 +.003 +.000	5.375 +.000 -.003	5.874 +.000 -.002	5.875 +.003 +.000	23.78
U25-5.50	5-1/2	6	1/4	.275 +.015 +.000	5.500 +.000 -.002	5.501 +.003 +.000	6.000 +.003 +.000	5.500 +.000 -.003	5.999 +.000 -.002	6.000 +.003 +.000	24.42
U25-5.50-SQB	5-1/2	6	1/4	.275 +.015 +.000	5.500 +.000 -.002	5.501 +.003 +.000	6.000 +.003 +.000	5.500 +.000 -.003	5.999 +.000 -.002	6.000 +.003 +.000	24.42
U25-5.50-37B	5-1/2	6	3/8	.413 +.015 +.000	5.500 +.000 -.002	5.501 +.003 +.000	6.000 +.003 +.000	5.500 +.000 -.003	5.999 +.000 -.002	6.000 +.003 +.000	32.27
U25-5.50-50D	5-1/2	6	1/2	.550 +.015 +.000	5.500 +.000 -.002	5.501 +.003 +.000	6.000 +.003 +.000	5.500 +.000 -.003	5.999 +.000 -.002	6.000 +.003 +.000	33.89
U25-5.50-56B	5-1/2	6	9/16	.619 +.015 +.000	5.500 +.000 -.002	5.501 +.003 +.000	6.000 +.003 +.000	5.500 +.000 -.003	5.999 +.000 -.002	6.000 +.003 +.000	31.33
U25-5.50-56D	5-1/2	6	9/16	.619 +.015 +.000	5.500 +.000 -.002	5.501 +.003 +.000	6.000 +.003 +.000	5.500 +.000 -.003	5.999 +.000 -.002	6.000 +.003 +.000	32.27
U25-5.50-62D	5-1/2	6	5/8	.688 +.015 +.000	5.500 +.000 -.002	5.501 +.003 +.000	6.000 +.003 +.000	5.500 +.000 -.003	5.999 +.000 -.002	6.000 +.003 +.000	32.50
U25-5.62	5-5/8	6-1/8	1/4	.275 +.015 +.000	5.625 +.000 -.002	5.626 +.003 +.000	6.125 +.003 +.000	5.625 +.000 -.003	6.124 +.000 -.002	6.125 +.003 +.000	25.44
U25-5.75	5-3/4	6-1/4	1/4	.275 +.015 +.000	5.750 +.000 -.002	5.751 +.003 +.000	6.250 +.003 +.000	5.750 +.000 -.003	6.249 +.000 -.002	6.250 +.003 +.000	25.97
U25-5.75-37B	5-3/4	6-1/4	3/8	.413 +.015 +.000	5.750 +.000 -.002	5.751 +.003 +.000	6.250 +.003 +.000	5.750 +.000 -.003	6.249 +.000 -.002	6.250 +.003 +.000	35.12
U25-5.75-56B	5-3/4	6-1/4	9/16	.619 +.015 +.000	5.750 +.000 -.002	5.751 +.003 +.000	6.250 +.003 +.000	5.750 +.000 -.003	6.249 +.000 -.002	6.250 +.003 +.000	35.12
U25-6.00	6	6-1/2	1/4	.275 +.015 +.000	6.000 +.000 -.002	6.001 +.003 +.000	6.500 +.003 +.000	6.000 +.000 -.003	6.499 +.000 -.002	6.500 +.003 +.000	26.46
U25-6.00-37B	6	6-1/2	3/8	.413 +.015 +.000	6.000 +.000 -.002	6.001 +.003 +.000	6.500 +.003 +.000	6.000 +.000 -.003	6.499 +.000 -.002	6.500 +.003 +.000	36.13
U25-6.00-37D	6	6-1/2	3/8	.413 +.015 +.000	6.000 +.000 -.002	6.001 +.003 +.000	6.500 +.003 +.000	6.000 +.000 -.003	6.499 +.000 -.002	6.500 +.003 +.000	36.13
U25-6.00-56B	6	6-1/2	9/16	.619 +.015 +.000	6.000 +.000 -.002	6.001 +.003 +.000	6.500 +.003 +.000	6.000 +.000 -.003	6.499 +.000 -.002	6.500 +.003 +.000	32.76
U25-6.00-56D	6	6-1/2	9/16	.619 +.015 +.000	6.000 +.000 -.002	6.001 +.003 +.000	6.500 +.003 +.000	6.000 +.000 -.003	6.499 +.000 -.002	6.500 +.003 +.000	40.67
U25-6.25	6-1/4	6-3/4	1/4	.275 +.015 +.000	6.250 +.000 -.002	6.251 +.003 +.000	6.750 +.003 +.000	6.250 +.000 -.003	6.749 +.000 -.002	6.750 +.003 +.000	26.50
U25-6.25-37B	6-1/4	6-3/4	3/8	.413 +.015 +.000	6.250 +.000 -.002	6.251 +.003 +.000	6.750 +.003 +.000	6.250 +.000 -.003	6.749 +.000 -.002	6.750 +.003 +.000	39.92
U25-6.50	6-1/2	7	1/4	.275 +.015 +.000	6.500 +.000 -.002	6.501 +.003 +.000	7.000 +.003 +.000	6.500 +.000 -.003	6.999 +.000 -.002	7.000 +.003 +.000	27.88
U25-6.50-SQB	6-1/2	7	1/4	.275 +.015 +.000	6.500 +.000 -.002	6.501 +.003 +.000	7.000 +.003 +.000	6.500 +.000 -.003	6.999 +.000 -.002	7.000 +.003 +.000	27.88
U25-6.50-37B	6-1/2	7	3/8	.413 +.015 +.000	6.500 +.000 -.002	6.501 +.003 +.000	7.000 +.003 +.000	6.500 +.000 -.003	6.999 +.000 -.002	7.000 +.003 +.000	38.70
U25-6.50-37D	6-1/2	7	3/8	.413 +.015 +.000	6.500 +.000 -.002	6.501 +.003 +.000	7.000 +.003 +.000	6.500 +.000 -.003	6.999 +.000 -.002	7.000 +.003 +.000	38.70
U25-6.50-56B	6-1/2	7	9/16	.619 +.015 +.000	6.500 +.000 -.002	6.501 +.003 +.000	7.000 +.003 +.000	6.500 +.000 -.003	6.999 +.000 -.002	7.000 +.003 +.000	37.13
U25-6.75	6-3/4	7-1/4	1/4	.275 +.015 +.000	6.750 +.000 -.002	6.751 +.003 +.000	7.250 +.003 +.000	6.750 +.000 -.003	7.249 +.000 -.002	7.250 +.003 +.000	28.47
U25-6.75-37B	6-3/4	7-1/4	3/8	.413 +.015 +.000	6.750 +.000 -.002	6.751 +.003 +.000	7.250 +.003 +.000	6.750 +.000 -.003	7.249 +.000 -.002	7.250 +.003 +.000	38.70

STYLE 800 POLYURETHANE U-SEALS

U-SEALS

Part Number	A Nom. ID	B Nom. OD	C Nom. Ht	D GROOVE WIDTH	E ROD DIAMETER	F THROAT DIAMETER	G HOUSING DIAMETER	H GROOVE DIAMETER	I PISTON DIAMETER	J BORE DIAMETER	List Price
U25-6.75-56B	6-3/4	7-1/4	9/16	.619 ^{+0.015} / _{+0.000}	6.750 ^{+0.000} / _{-.002}	6.751 ^{+0.003} / _{+0.000}	7.250 ^{+0.003} / _{+0.000}	6.750 ^{+0.000} / _{-.003}	7.249 ^{+0.000} / _{-.002}	7.250 ^{+0.003} / _{+0.000}	38.70
U25-6.75-56D	6-3/4	7-1/4	9/16	.619 ^{+0.015} / _{+0.000}	6.750 ^{+0.000} / _{-.002}	6.751 ^{+0.003} / _{+0.000}	7.250 ^{+0.003} / _{+0.000}	6.750 ^{+0.000} / _{-.003}	7.249 ^{+0.000} / _{-.002}	7.250 ^{+0.003} / _{+0.000}	38.70
U25-7.00	7	7-1/2	1/4	.275 ^{+0.015} / _{+0.000}	7.000 ^{+0.000} / _{-.002}	7.001 ^{+0.003} / _{+0.000}	7.500 ^{+0.003} / _{+0.000}	7.000 ^{+0.000} / _{-.003}	7.499 ^{+0.000} / _{-.002}	7.500 ^{+0.003} / _{+0.000}	29.60
U25-7.00-37B	7	7-1/2	3/8	.413 ^{+0.015} / _{+0.000}	7.000 ^{+0.000} / _{-.002}	7.001 ^{+0.003} / _{+0.000}	7.500 ^{+0.003} / _{+0.000}	7.000 ^{+0.000} / _{-.003}	7.499 ^{+0.000} / _{-.002}	7.500 ^{+0.003} / _{+0.000}	35.49
U25-7.00-56B	7	7-1/2	9/16	.619 ^{+0.015} / _{+0.000}	7.000 ^{+0.000} / _{-.002}	7.001 ^{+0.003} / _{+0.000}	7.500 ^{+0.003} / _{+0.000}	7.000 ^{+0.000} / _{-.003}	7.499 ^{+0.000} / _{-.002}	7.500 ^{+0.003} / _{+0.000}	40.22
U25-7.25	7-1/4	7-3/4	1/4	.275 ^{+0.015} / _{+0.000}	7.250 ^{+0.000} / _{-.002}	7.251 ^{+0.003} / _{+0.000}	7.750 ^{+0.003} / _{+0.000}	7.250 ^{+0.000} / _{-.003}	7.749 ^{+0.000} / _{-.002}	7.750 ^{+0.003} / _{+0.000}	29.56
U25-7.50	7-1/2	8	1/4	.275 ^{+0.015} / _{+0.000}	7.500 ^{+0.000} / _{-.002}	7.501 ^{+0.003} / _{+0.000}	8.000 ^{+0.003} / _{+0.000}	7.500 ^{+0.000} / _{-.003}	7.999 ^{+0.000} / _{-.002}	8.000 ^{+0.003} / _{+0.000}	31.59
U25-7.50-SQB	7-1/2	8	1/4	.275 ^{+0.015} / _{+0.000}	7.500 ^{+0.000} / _{-.002}	7.501 ^{+0.003} / _{+0.000}	8.000 ^{+0.003} / _{+0.000}	7.500 ^{+0.000} / _{-.003}	7.999 ^{+0.000} / _{-.002}	8.000 ^{+0.003} / _{+0.000}	31.59
U25-7.50-37B	7-1/2	8	3/8	.413 ^{+0.010} / _{+0.000}	7.500 ^{+0.000} / _{-.002}	7.501 ^{+0.003} / _{+0.000}	8.000 ^{+0.003} / _{+0.000}	7.500 ^{+0.000} / _{-.003}	7.999 ^{+0.000} / _{-.002}	8.000 ^{+0.003} / _{+0.000}	37.45
U25-7.50-56B	7-1/2	8	9/16	.619 ^{+0.015} / _{+0.000}	7.500 ^{+0.000} / _{-.002}	7.501 ^{+0.003} / _{+0.000}	8.000 ^{+0.003} / _{+0.000}	7.500 ^{+0.000} / _{-.003}	7.999 ^{+0.000} / _{-.002}	8.000 ^{+0.003} / _{+0.000}	45.56
U25-7.75	7-3/4	8-1/4	1/4	.275 ^{+0.015} / _{+0.000}	7.750 ^{+0.000} / _{-.002}	7.751 ^{+0.003} / _{+0.000}	8.250 ^{+0.003} / _{+0.000}	7.750 ^{+0.000} / _{-.003}	8.249 ^{+0.000} / _{-.002}	8.250 ^{+0.003} / _{+0.000}	31.31
U25-8.00	8	8-1/2	1/4	.275 ^{+0.015} / _{+0.000}	8.000 ^{+0.000} / _{-.002}	8.001 ^{+0.003} / _{+0.000}	8.500 ^{+0.003} / _{+0.000}	8.000 ^{+0.000} / _{-.003}	8.499 ^{+0.000} / _{-.002}	8.500 ^{+0.003} / _{+0.000}	32.50
U25-8.00-56B	8	8-1/2	9/16	.619 ^{+0.015} / _{+0.000}	8.000 ^{+0.000} / _{-.002}	8.001 ^{+0.003} / _{+0.000}	8.500 ^{+0.003} / _{+0.000}	8.000 ^{+0.000} / _{-.003}	8.499 ^{+0.000} / _{-.002}	8.500 ^{+0.003} / _{+0.000}	48.66
U25-8.12-56B	8-1/8	8-5/8	9/16	.619 ^{+0.015} / _{+0.000}	8.125 ^{+0.000} / _{-.002}	8.126 ^{+0.003} / _{+0.000}	8.625 ^{+0.003} / _{+0.000}	8.125 ^{+0.000} / _{-.003}	8.624 ^{+0.000} / _{-.002}	8.625 ^{+0.003} / _{+0.000}	49.86
U25-8.25-56B	8-1/4	8-3/4	9/16	.619 ^{+0.015} / _{+0.000}	8.250 ^{+0.000} / _{-.002}	8.251 ^{+0.003} / _{+0.000}	8.750 ^{+0.003} / _{+0.000}	8.250 ^{+0.000} / _{-.003}	8.749 ^{+0.000} / _{-.002}	8.750 ^{+0.003} / _{+0.000}	50.25
U25-8.50	8-1/2	9	1/4	.275 ^{+0.015} / _{+0.000}	8.500 ^{+0.000} / _{-.002}	8.501 ^{+0.003} / _{+0.000}	9.000 ^{+0.003} / _{+0.000}	8.500 ^{+0.000} / _{-.003}	8.999 ^{+0.000} / _{-.002}	9.000 ^{+0.003} / _{+0.000}	38.24
U25-8.50-56B	8-1/2	9	9/16	.619 ^{+0.015} / _{+0.000}	8.500 ^{+0.000} / _{-.002}	8.501 ^{+0.003} / _{+0.000}	9.000 ^{+0.003} / _{+0.000}	8.500 ^{+0.000} / _{-.003}	8.999 ^{+0.000} / _{-.002}	9.000 ^{+0.003} / _{+0.000}	52.11
U25-9.00	9	9-1/2	1/4	.275 ^{+0.015} / _{+0.000}	9.000 ^{+0.000} / _{-.002}	9.001 ^{+0.003} / _{+0.000}	9.500 ^{+0.003} / _{+0.000}	9.000 ^{+0.000} / _{-.003}	9.499 ^{+0.000} / _{-.002}	9.500 ^{+0.003} / _{+0.000}	38.47
U25-9.50	9-1/2	10	1/4	.275 ^{+0.015} / _{+0.000}	9.500 ^{+0.000} / _{-.002}	9.501 ^{+0.003} / _{+0.000}	10.000 ^{+0.003} / _{+0.000}	9.500 ^{+0.000} / _{-.003}	9.999 ^{+0.000} / _{-.002}	10.000 ^{+0.003} / _{+0.000}	39.25
U25-9.50-56B	9-1/2	10	9/16	.619 ^{+0.015} / _{+0.000}	9.500 ^{+0.000} / _{-.002}	9.501 ^{+0.003} / _{+0.000}	10.000 ^{+0.003} / _{+0.000}	9.500 ^{+0.000} / _{-.003}	9.999 ^{+0.000} / _{-.002}	10.000 ^{+0.003} / _{+0.000}	53.92
U25-9.75	9-3/4	10-1/4	1/4	.275 ^{+0.015} / _{+0.000}	9.750 ^{+0.000} / _{-.002}	9.751 ^{+0.003} / _{+0.000}	10.250 ^{+0.003} / _{+0.000}	9.750 ^{+0.000} / _{-.003}	10.249 ^{+0.000} / _{-.002}	10.250 ^{+0.003} / _{+0.000}	44.44
U25-10.00	10	10-1/2	1/4	.275 ^{+0.015} / _{+0.000}	10.000 ^{+0.000} / _{-.002}	10.001 ^{+0.003} / _{+0.000}	10.500 ^{+0.003} / _{+0.000}	10.000 ^{+0.000} / _{-.003}	10.499 ^{+0.000} / _{-.002}	10.500 ^{+0.003} / _{+0.000}	48.07
U25-10.00-56B	10	10-1/2	9/16	.619 ^{+0.015} / _{+0.000}	10.000 ^{+0.000} / _{-.002}	10.001 ^{+0.003} / _{+0.000}	10.500 ^{+0.003} / _{+0.000}	10.000 ^{+0.000} / _{-.003}	10.499 ^{+0.000} / _{-.002}	10.500 ^{+0.003} / _{+0.000}	77.26
U25-10.25	10-1/4	10-3/4	1/4	.275 ^{+0.015} / _{+0.000}	10.250 ^{+0.000} / _{-.002}	10.251 ^{+0.003} / _{+0.000}	10.750 ^{+0.003} / _{+0.000}	10.250 ^{+0.000} / _{-.003}	10.749 ^{+0.000} / _{-.002}	10.750 ^{+0.003} / _{+0.000}	61.60
U25-12.50-53B	12-1/2	13	.531	.584 ^{+0.010} / _{+0.000}	12.500 ^{+0.000} / _{-.002}	12.501 ^{+0.003} / _{+0.000}	13.000 ^{+0.003} / _{+0.000}	12.500 ^{+0.000} / _{-.003}	12.999 ^{+0.000} / _{-.002}	13.000 ^{+0.003} / _{+0.000}	82.19
U25-13.50	13-1/2	14	1/4	.275 ^{+0.015} / _{+0.000}	13.500 ^{+0.000} / _{-.002}	13.501 ^{+0.003} / _{+0.000}	14.000 ^{+0.003} / _{+0.000}	13.500 ^{+0.000} / _{-.003}	13.999 ^{+0.000} / _{-.002}	14.000 ^{+0.003} / _{+0.000}	41.86
.27" C/S											
U27-1.97-50B	1.97	2.51	1/2	.550 ^{+0.015} / _{+0.000}	1.970 ^{+0.000} / _{-.002}	1.971 ^{+0.003} / _{+0.000}	2.510 ^{+0.003} / _{+0.000}	1.970 ^{+0.000} / _{-.003}	2.509 ^{+0.000} / _{+0.000}	2.510 ^{+0.003} / _{+0.000}	\$26.26
.275" C/S											
U27-2.97-50B	2.97	3.52	1/2	.550 ^{+0.015} / _{+0.000}	2.970 ^{+0.000} / _{-.002}	2.971 ^{+0.003} / _{+0.000}	3.520 ^{+0.003} / _{+0.000}	2.970 ^{+0.000} / _{-.003}	3.519 ^{+0.000} / _{-.002}	3.520 ^{+0.003} / _{+0.000}	\$28.68
U27-3.97-50B	3.97	4.52	1/2	.550 ^{+0.015} / _{+0.000}	3.970 ^{+0.000} / _{-.002}	3.971 ^{+0.003} / _{+0.000}	4.520 ^{+0.003} / _{+0.000}	3.970 ^{+0.000} / _{-.003}	4.519 ^{+0.000} / _{-.002}	4.520 ^{+0.003} / _{+0.000}	40.30
9/32" C/S											
U28-1.00	1	1-9/16	9/32	.310 ^{+0.015} / _{+0.000}	1.000 ^{+0.000} / _{-.002}	1.001 ^{+0.003} / _{+0.000}	1.563 ^{+0.003} / _{+0.000}	1.000 ^{+0.000} / _{-.003}	1.561 ^{+0.000} / _{-.002}	1.563 ^{+0.003} / _{+0.000}	\$7.13
U28-3.18-50B	3-3/16	3-3/4	1/2	.550 ^{+0.015} / _{+0.000}	3.187 ^{+0.000} / _{-.002}	3.189 ^{+0.003} / _{+0.000}	3.750 ^{+0.003} / _{+0.000}	3.187 ^{+0.000} / _{-.003}	3.749 ^{+0.000} / _{-.002}	3.750 ^{+0.003} / _{+0.000}	20.81

STYLE 800 POLYURETHANE U-SEALS

U-SEALS

Part Number	A Nom. ID	B Nom. OD	C Nom. Ht	D GROOVE WIDTH	E ROD DIAMETER	F THROAT DIAMETER	G HOUSING DIAMETER	H GROOVE DIAMETER	I PISTON DIAMETER	J BORE DIAMETER	List Price
U28-5.43	5-7/16	6	9/32	.310 ^{+0.015} / _{+0.000}	5.437 ^{+0.000} / _{-0.002}	5.439 ^{+0.003} / _{+0.000}	6.000 ^{+0.003} / _{+0.000}	5.437 ^{+0.000} / _{-0.003}	5.999 ^{+0.000} / _{-0.002}	6.000 ^{+0.003} / _{+0.000}	29.87
U28-5.43-56B	5-7/16	6	9/16	.619 ^{+0.015} / _{+0.000}	5.437 ^{+0.000} / _{-0.002}	5.439 ^{+0.003} / _{+0.000}	6.000 ^{+0.003} / _{+0.000}	5.437 ^{+0.000} / _{-0.003}	5.999 ^{+0.000} / _{-0.002}	6.000 ^{+0.003} / _{+0.000}	35.94
.285" C/S											
U28-2.20-50B	2.2	2.77	1/2	.550 ^{+0.015} / _{+0.000}	2.200 ^{+0.000} / _{-0.002}	2.201 ^{+0.003} / _{+0.000}	2.770 ^{+0.003} / _{+0.000}	2.200 ^{+0.000} / _{-0.003}	2.769 ^{+0.000} / _{-0.002}	2.770 ^{+0.003} / _{+0.000}	\$ 15.08
U28-3.20-50B	3.2	3.77	1/2	.550 ^{+0.015} / _{+0.000}	3.200 ^{+0.000} / _{-0.002}	3.201 ^{+0.003} / _{+0.000}	3.770 ^{+0.003} / _{+0.000}	3.200 ^{+0.000} / _{-0.003}	3.769 ^{+0.000} / _{-0.002}	3.770 ^{+0.003} / _{+0.000}	20.81
.312" C/S											
U31-2.12	2-1/8	2-3/4	.312	.343 ^{+0.010} / _{+0.000}	2.125 ^{+0.000} / _{-0.002}	2.127 ^{+0.003} / _{+0.000}	2.750 ^{+0.004} / _{+0.000}	2.125 ^{+0.000} / _{-0.004}	2.748 ^{+0.000} / _{-0.002}	2.750 ^{+0.003} / _{+0.000}	\$ 9.80
5/16" C/S											
U31-0.25	1/4	7/8	5/16	.344 ^{+0.015} / _{+0.000}	.250 ^{+0.000} / _{-0.002}	.252 ^{+0.003} / _{+0.000}	.875 ^{+0.004} / _{+0.000}	.250 ^{+0.000} / _{-0.004}	.873 ^{+0.000} / _{-0.002}	.875 ^{+0.003} / _{+0.000}	\$ 6.64
U31-0.37	3/8	1	5/16	.344 ^{+0.015} / _{+0.000}	.375 ^{+0.000} / _{-0.002}	.377 ^{+0.003} / _{+0.000}	1.000 ^{+0.004} / _{+0.000}	.375 ^{+0.000} / _{-0.004}	.998 ^{+0.000} / _{-0.002}	1.000 ^{+0.003} / _{+0.000}	6.93
U31-0.43	7/16	1-1/16	5/16	.344 ^{+0.015} / _{+0.000}	.437 ^{+0.000} / _{-0.002}	.440 ^{+0.003} / _{+0.000}	1.063 ^{+0.004} / _{+0.000}	.437 ^{+0.000} / _{-0.004}	1.060 ^{+0.000} / _{-0.002}	1.063 ^{+0.003} / _{+0.000}	7.04
U31-0.50	1/2	1-1/8	5/16	.344 ^{+0.015} / _{+0.000}	.500 ^{+0.000} / _{-0.002}	.502 ^{+0.003} / _{+0.000}	1.125 ^{+0.004} / _{+0.000}	.500 ^{+0.000} / _{-0.004}	1.123 ^{+0.000} / _{-0.002}	1.125 ^{+0.003} / _{+0.000}	7.29
U31-0.62	5/8	1-1/4	5/16	.344 ^{+0.015} / _{+0.000}	.625 ^{+0.000} / _{-0.002}	.627 ^{+0.003} / _{+0.000}	1.250 ^{+0.004} / _{+0.000}	.625 ^{+0.000} / _{-0.004}	1.248 ^{+0.000} / _{-0.002}	1.250 ^{+0.003} / _{+0.000}	7.26
U31-0.75	3/4	1-3/8	5/16	.344 ^{+0.015} / _{+0.000}	.750 ^{+0.000} / _{-0.002}	.752 ^{+0.003} / _{+0.000}	1.375 ^{+0.004} / _{+0.000}	.750 ^{+0.000} / _{-0.004}	1.373 ^{+0.000} / _{-0.002}	1.375 ^{+0.003} / _{+0.000}	7.62
U31-0.75-50B	3/4	1-3/8	1/2	.550 ^{+0.015} / _{+0.000}	.750 ^{+0.000} / _{-0.002}	.752 ^{+0.003} / _{+0.000}	1.375 ^{+0.004} / _{+0.000}	.750 ^{+0.000} / _{-0.004}	1.373 ^{+0.000} / _{-0.002}	1.375 ^{+0.003} / _{+0.000}	7.91
U31-0.87	7/8	1-1/2	5/16	.344 ^{+0.015} / _{+0.000}	.875 ^{+0.000} / _{-0.002}	.877 ^{+0.003} / _{+0.000}	1.500 ^{+0.004} / _{+0.000}	.875 ^{+0.000} / _{-0.004}	1.498 ^{+0.000} / _{-0.002}	1.500 ^{+0.003} / _{+0.000}	7.75
U31-1.00	1	1-5/8	5/16	.344 ^{+0.015} / _{+0.000}	1.000 ^{+0.000} / _{-0.002}	1.002 ^{+0.003} / _{+0.000}	1.625 ^{+0.004} / _{+0.000}	1.000 ^{+0.000} / _{-0.004}	1.623 ^{+0.000} / _{-0.002}	1.625 ^{+0.003} / _{+0.000}	7.90
U31-1.00-37B	1	1-5/8	3/8	.413 ^{+0.015} / _{+0.000}	1.000 ^{+0.000} / _{-0.002}	1.002 ^{+0.003} / _{+0.000}	1.625 ^{+0.004} / _{+0.000}	1.000 ^{+0.000} / _{-0.004}	1.623 ^{+0.000} / _{-0.002}	1.625 ^{+0.003} / _{+0.000}	9.79
U31-1.00-50B	1	1-5/8	1/2	.550 ^{+0.015} / _{+0.000}	1.000 ^{+0.000} / _{-0.002}	1.002 ^{+0.003} / _{+0.000}	1.625 ^{+0.004} / _{+0.000}	1.000 ^{+0.000} / _{-0.004}	1.623 ^{+0.000} / _{-0.002}	1.625 ^{+0.003} / _{+0.000}	8.19
U31-1.12-SQB	1-1/8	1-3/4	5/16	.344 ^{+0.015} / _{+0.000}	1.125 ^{+0.000} / _{-0.002}	1.127 ^{+0.003} / _{+0.000}	1.750 ^{+0.004} / _{+0.000}	1.125 ^{+0.000} / _{-0.004}	1.748 ^{+0.000} / _{-0.002}	1.750 ^{+0.003} / _{+0.000}	7.97
U31-1.12-37B	1-1/8	1-3/4	3/8	.413 ^{+0.015} / _{+0.000}	1.125 ^{+0.000} / _{-0.002}	1.127 ^{+0.003} / _{+0.000}	1.750 ^{+0.004} / _{+0.000}	1.125 ^{+0.000} / _{-0.004}	1.748 ^{+0.000} / _{-0.002}	1.750 ^{+0.003} / _{+0.000}	8.24
U31-1.18	1-3/16	1-13/16	5/16	.344 ^{+0.015} / _{+0.000}	1.187 ^{+0.000} / _{-0.002}	1.190 ^{+0.003} / _{+0.000}	1.813 ^{+0.004} / _{+0.000}	1.187 ^{+0.000} / _{-0.004}	1.810 ^{+0.000} / _{-0.002}	1.813 ^{+0.003} / _{+0.000}	7.97
U31-1.25	1-1/4	1-7/8	5/16	.344 ^{+0.015} / _{+0.000}	1.250 ^{+0.000} / _{-0.002}	1.252 ^{+0.003} / _{+0.000}	1.875 ^{+0.004} / _{+0.000}	1.250 ^{+0.000} / _{-0.004}	1.873 ^{+0.000} / _{-0.002}	1.875 ^{+0.003} / _{+0.000}	9.09
U31-1.25-SQB	1-1/4	1-7/8	5/16	.344 ^{+0.015} / _{+0.000}	1.250 ^{+0.000} / _{-0.002}	1.252 ^{+0.003} / _{+0.000}	1.875 ^{+0.004} / _{+0.000}	1.250 ^{+0.000} / _{-0.004}	1.873 ^{+0.000} / _{-0.002}	1.875 ^{+0.003} / _{+0.000}	8.36
U31-1.25-37B	1-1/4	1-7/8	3/8	.413 ^{+0.015} / _{+0.000}	1.250 ^{+0.000} / _{-0.002}	1.252 ^{+0.003} / _{+0.000}	1.875 ^{+0.004} / _{+0.000}	1.250 ^{+0.000} / _{-0.004}	1.873 ^{+0.000} / _{-0.002}	1.875 ^{+0.003} / _{+0.000}	8.79
U31-1.25-50B	1-1/4	1-7/8	1/2	.550 ^{+0.015} / _{+0.000}	1.250 ^{+0.000} / _{-0.002}	1.252 ^{+0.003} / _{+0.000}	1.875 ^{+0.004} / _{+0.000}	1.250 ^{+0.000} / _{-0.004}	1.873 ^{+0.000} / _{-0.002}	1.875 ^{+0.003} / _{+0.000}	8.79
U31-1.25-50D	1-1/4	1-7/8	1/2	.550 ^{+0.015} / _{+0.000}	1.250 ^{+0.000} / _{-0.002}	1.252 ^{+0.003} / _{+0.000}	1.875 ^{+0.004} / _{+0.000}	1.250 ^{+0.000} / _{-0.004}	1.873 ^{+0.000} / _{-0.002}	1.875 ^{+0.003} / _{+0.000}	22.74
U31-1.37	1-3/8	2	5/16	.344 ^{+0.015} / _{+0.000}	1.375 ^{+0.000} / _{-0.002}	1.377 ^{+0.003} / _{+0.000}	2.000 ^{+0.004} / _{+0.000}	1.375 ^{+0.000} / _{-0.004}	1.998 ^{+0.000} / _{-0.002}	2.000 ^{+0.003} / _{+0.000}	8.79
U31-1.37-SQB	1-3/8	2	5/16	.344 ^{+0.015} / _{+0.000}	1.375 ^{+0.000} / _{-0.002}	1.377 ^{+0.003} / _{+0.000}	2.000 ^{+0.004} / _{+0.000}	1.375 ^{+0.000} / _{-0.004}	1.998 ^{+0.000} / _{-0.002}	2.000 ^{+0.003} / _{+0.000}	8.79
U31-1.37-37B	1-3/8	2	3/8	.413 ^{+0.015} / _{+0.000}	1.375 ^{+0.000} / _{-0.002}	1.377 ^{+0.003} / _{+0.000}	2.000 ^{+0.004} / _{+0.000}	1.375 ^{+0.000} / _{-0.004}	1.998 ^{+0.000} / _{-0.002}	2.000 ^{+0.003} / _{+0.000}	9.43
U31-1.37-50B	1-3/8	2	1/2	.550 ^{+0.015} / _{+0.000}	1.375 ^{+0.000} / _{-0.002}	1.377 ^{+0.003} / _{+0.000}	2.000 ^{+0.004} / _{+0.000}	1.375 ^{+0.000} / _{-0.004}	1.998 ^{+0.000} / _{-0.002}	2.000 ^{+0.003} / _{+0.000}	9.15
U31-1.37-50D	1-3/8	2	1/2	.550 ^{+0.015} / _{+0.000}	1.375 ^{+0.000} / _{-0.002}	1.377 ^{+0.003} / _{+0.000}	2.000 ^{+0.004} / _{+0.000}	1.375 ^{+0.000} / _{-0.004}	1.998 ^{+0.000} / _{-0.002}	2.000 ^{+0.003} / _{+0.000}	15.36
U31-1.50	1-1/2	2-1/8	5/16	.344 ^{+0.015} / _{+0.000}	1.500 ^{+0.000} / _{-0.002}	1.502 ^{+0.003} / _{+0.000}	2.125 ^{+0.004} / _{+0.000}	1.500 ^{+0.000} / _{-0.004}	2.123 ^{+0.000} / _{-0.002}	2.125 ^{+0.003} / _{+0.000}	8.97
U31-1.50-37B	1-1/2	2-1/8	3/8	.413 ^{+0.015} / _{+0.000}	1.500 ^{+0.000} / _{-0.002}	1.502 ^{+0.003} / _{+0.000}	2.125 ^{+0.004} / _{+0.000}	1.500 ^{+0.000} / _{-0.004}	2.123 ^{+0.000} / _{-0.002}	2.125 ^{+0.003} / _{+0.000}	10.55

STYLE 800 POLYURETHANE U-SEALS

U-SEALS

Part Number	A Nom. ID	B Nom. OD	C Nom. Ht	D GROOVE WIDTH	E ROD DIAMETER	F THROAT DIAMETER	G HOUSING DIAMETER	H GROOVE DIAMETER	I PISTON DIAMETER	J BORE DIAMETER	List Price
U31-1.50-43B	1-1/2	2-1/8	7/16	.482 +.015 +.000	1.500 +.000 -.002	1.502 +.003 +.000	2.125 +.004 +.000	1.500 +.000 -.004	2.123 +.000 -.002	2.125 +.003 +.000	12.22
U31-1.50-50B	1-1/2	2-1/8	1/2	.550 +.015 +.000	1.500 +.000 -.002	1.502 +.003 +.000	2.125 +.004 +.000	1.500 +.000 -.004	2.123 +.000 -.002	2.125 +.003 +.000	10.55
U31-1.50-50D	1-1/2	2-1/8	1/2	.550 +.015 +.000	1.500 +.000 -.002	1.502 +.003 +.000	2.125 +.004 +.000	1.500 +.000 -.004	2.123 +.000 -.002	2.125 +.003 +.000	10.55
U31-1.62	1-5/8	2-1/4	5/16	.344 +.015 +.000	1.625 +.000 -.002	1.627 +.003 +.000	2.250 +.004 +.000	1.625 +.000 -.004	2.248 +.000 -.002	2.250 +.003 +.000	10.02
U31-1.62-37B	1-5/8	2-1/4	3/8	.413 +.015 +.000	1.625 +.000 -.002	1.627 +.003 +.000	2.250 +.004 +.000	1.625 +.000 -.004	2.248 +.000 -.002	2.250 +.003 +.000	11.15
U31-1.62-50B	1-5/8	2-1/4	1/2	.550 +.015 +.000	1.625 +.000 -.002	1.627 +.003 +.000	2.250 +.004 +.000	1.625 +.000 -.004	2.248 +.000 -.002	2.250 +.003 +.000	10.87
U31-1.68	1-11/16	2-5/16	5/16	.344 +.015 +.000	1.687 +.000 -.002	1.690 +.003 +.000	2.313 +.004 +.000	1.687 +.000 -.004	2.310 +.000 -.002	2.313 +.003 +.000	17.70
U31-1.75	1-3/4	2-3/8	5/16	.344 +.015 +.000	1.750 +.000 -.002	1.752 +.003 +.000	2.375 +.004 +.000	1.750 +.000 -.004	2.373 +.000 -.002	2.375 +.003 +.000	10.55
U31-1.75-37B	1-3/4	2-3/8	3/8	.413 +.015 +.000	1.750 +.000 -.002	1.752 +.003 +.000	2.375 +.004 +.000	1.750 +.000 -.004	2.373 +.000 -.002	2.375 +.003 +.000	11.72
U31-1.75-50B	1-3/4	2-3/8	1/2	.550 +.015 +.000	1.750 +.000 -.002	1.752 +.003 +.000	2.375 +.004 +.000	1.750 +.000 -.004	2.373 +.000 -.002	2.375 +.003 +.000	11.72
U31-1.75-50D	1-3/4	2-3/8	1/2	.550 +.015 +.000	1.750 +.000 -.002	1.752 +.003 +.000	2.375 +.004 +.000	1.750 +.000 -.004	2.373 +.000 -.002	2.375 +.003 +.000	11.72
U31-1.87	1-7/8	2-1/2	5/16	.344 +.015 +.000	1.875 +.000 -.002	1.877 +.003 +.000	2.500 +.004 +.000	1.875 +.000 -.004	2.498 +.000 -.002	2.500 +.003 +.000	10.89
U31-1.87-37B	1-7/8	2-1/2	3/8	.413 +.015 +.000	1.875 +.000 -.002	1.877 +.003 +.000	2.500 +.004 +.000	1.875 +.000 -.004	2.498 +.000 -.002	2.500 +.003 +.000	12.23
U31-1.87-50B	1-7/8	2-1/2	1/2	.550 +.015 +.000	1.875 +.000 -.002	1.877 +.003 +.000	2.500 +.004 +.000	1.875 +.000 -.004	2.498 +.000 -.002	2.500 +.003 +.000	12.23
U31-1.87-50D	1-7/8	2-1/2	1/2	.550 +.015 +.000	1.875 +.000 -.002	1.877 +.003 +.000	2.500 +.004 +.000	1.875 +.000 -.004	2.498 +.000 -.002	2.500 +.003 +.000	12.23
U31-1.93	1-15/16	2-9/16	5/16	.344 +.015 +.000	1.937 +.000 -.002	1.940 +.003 +.000	2.563 +.004 +.000	1.937 +.000 -.004	2.560 +.000 -.002	2.563 +.003 +.000	11.16
U31-2.00	2	2-5/8	5/16	.344 +.015 +.000	2.000 +.000 -.002	2.002 +.003 +.000	2.625 +.004 +.000	2.000 +.000 -.004	2.623 +.000 -.002	2.625 +.003 +.000	11.92
U31-2.00-37B	2	2-5/8	3/8	.413 +.015 +.000	2.000 +.000 -.002	2.002 +.003 +.000	2.625 +.004 +.000	2.000 +.000 -.004	2.623 +.000 -.002	2.625 +.003 +.000	14.93
U31-2.00-50B	2	2-5/8	1/2	.550 +.015 +.000	2.000 +.000 -.002	2.002 +.003 +.000	2.625 +.004 +.000	2.000 +.000 -.004	2.623 +.000 -.002	2.625 +.003 +.000	12.53
U31-2.12-SQB	2-1/8	2-3/4	5/16	.344 +.015 +.000	2.125 +.000 -.002	2.127 +.003 +.000	2.750 +.004 +.000	2.125 +.000 -.004	2.748 +.000 -.002	2.750 +.003 +.000	12.53
U31-2.12-50B	2-1/8	2-3/4	1/2	.550 +.015 +.000	2.125 +.000 -.002	2.127 +.003 +.000	2.750 +.004 +.000	2.125 +.000 -.004	2.748 +.000 -.002	2.750 +.003 +.000	13.64
U31-2.25	2-1/4	2-7/8	5/16	.344 +.015 +.000	2.250 +.000 -.002	2.252 +.003 +.000	2.875 +.004 +.000	2.250 +.000 -.004	2.873 +.000 -.002	2.875 +.003 +.000	12.53
U31-2.25-50B	2-1/4	2-7/8	1/2	.550 +.015 +.000	2.250 +.000 -.002	2.252 +.003 +.000	2.875 +.004 +.000	2.250 +.000 -.004	2.873 +.000 -.002	2.875 +.003 +.000	14.06
U31-2.37	2-3/8	3	5/16	.344 +.015 +.000	2.375 +.000 -.002	2.377 +.003 +.000	3.000 +.004 +.000	2.375 +.000 -.004	2.998 +.000 -.002	3.000 +.003 +.000	13.18
U31-2.37-50B	2-3/8	3	1/2	.550 +.015 +.000	2.375 +.000 -.002	2.377 +.003 +.000	3.000 +.004 +.000	2.375 +.000 -.004	2.998 +.000 -.002	3.000 +.003 +.000	14.37
U31-2.37-50D	2-3/8	3	1/2	.550 +.015 +.000	2.375 +.000 -.002	2.377 +.003 +.000	3.000 +.004 +.000	2.375 +.000 -.004	2.998 +.000 -.002	3.000 +.003 +.000	16.93
U31-2.50	2-1/2	3-1/8	5/16	.344 +.015 +.000	2.500 +.000 -.002	2.502 +.003 +.000	3.125 +.004 +.000	2.500 +.000 -.004	3.123 +.000 -.002	3.125 +.003 +.000	13.73
U31-2.50-37B	2-1/2	3-1/8	3/8	.413 +.015 +.000	2.500 +.000 -.002	2.502 +.003 +.000	3.125 +.004 +.000	2.500 +.000 -.004	3.123 +.000 -.002	3.125 +.003 +.000	13.30
U31-2.50-50B	2-1/2	3-1/8	1/2	.550 +.015 +.000	2.500 +.000 -.002	2.502 +.003 +.000	3.125 +.004 +.000	2.500 +.000 -.004	3.123 +.000 -.002	3.125 +.003 +.000	14.97
U31-2.50-50D	2-1/2	3-1/8	1/2	.550 +.015 +.000	2.500 +.000 -.002	2.502 +.003 +.000	3.125 +.004 +.000	2.500 +.000 -.004	3.123 +.000 -.002	3.125 +.003 +.000	17.02
U31-2.56	2-9/16	3-3/16	5/16	.344 +.015 +.000	2.562 +.000 -.002	2.565 +.003 +.000	3.188 +.004 +.000	2.562 +.000 -.004	3.186 +.000 -.002	3.188 +.003 +.000	14.06
U31-2.62	2-5/8	3-1/4	5/16	.344 +.015 +.000	2.625 +.000 -.002	2.627 +.003 +.000	3.250 +.004 +.000	2.625 +.000 -.004	3.248 +.000 -.002	3.250 +.003 +.000	14.93
U31-2.62-50B	2-5/8	3-1/4	1/2	.550 +.015 +.000	2.625 +.000 -.002	2.627 +.003 +.000	3.250 +.004 +.000	2.625 +.000 -.004	3.248 +.000 -.002	3.250 +.003 +.000	16.26

STYLE 800 POLYURETHANE U-SEALS

U-SEALS

Part Number	A Nom. ID	B Nom. OD	C Nom. Ht	D GROOVE WIDTH	E ROD DIAMETER	F THROAT DIAMETER	G HOUSING DIAMETER	H GROOVE DIAMETER	I PISTON DIAMETER	J BORE DIAMETER	List Price
U31-2.75	2-3/4	3-3/8	5/16	.344 ^{+0.015} / _{+0.000}	2.750 ^{+0.000} / _{-.002}	2.752 ^{+0.003} / _{+0.000}	3.375 ^{+0.004} / _{+0.000}	2.750 ^{+0.000} / _{-.004}	3.373 ^{+0.000} / _{-.002}	3.375 ^{+0.003} / _{+0.000}	14.68
U31-2.75-50B	2-3/4	3-3/8	1/2	.550 ^{+0.015} / _{+0.000}	2.750 ^{+0.000} / _{-.002}	2.752 ^{+0.003} / _{+0.000}	3.375 ^{+0.004} / _{+0.000}	2.750 ^{+0.000} / _{-.004}	3.373 ^{+0.000} / _{-.002}	3.375 ^{+0.003} / _{+0.000}	16.26
U31-2.87	2-7/8	3-1/2	5/16	.344 ^{+0.015} / _{+0.000}	2.875 ^{+0.000} / _{-.002}	2.877 ^{+0.003} / _{+0.000}	3.500 ^{+0.004} / _{+0.000}	2.875 ^{+0.000} / _{-.004}	3.498 ^{+0.000} / _{-.002}	3.500 ^{+0.003} / _{+0.000}	16.10
U31-2.87-50B	2-7/8	3-1/2	1/2	.550 ^{+0.015} / _{+0.000}	2.875 ^{+0.000} / _{-.002}	2.877 ^{+0.003} / _{+0.000}	3.500 ^{+0.004} / _{+0.000}	2.875 ^{+0.000} / _{-.004}	3.498 ^{+0.000} / _{-.002}	3.500 ^{+0.003} / _{+0.000}	17.55
U31-3.00	3	3-5/8	5/16	.344 ^{+0.015} / _{+0.000}	3.000 ^{+0.000} / _{-.002}	3.002 ^{+0.003} / _{+0.000}	3.625 ^{+0.004} / _{+0.000}	3.000 ^{+0.000} / _{-.004}	3.623 ^{+0.000} / _{-.002}	3.625 ^{+0.003} / _{+0.000}	16.75
U31-3.00-37B	3	3-5/8	3/8	.413 ^{+0.015} / _{+0.000}	3.000 ^{+0.000} / _{-.002}	3.002 ^{+0.003} / _{+0.000}	3.625 ^{+0.004} / _{+0.000}	3.000 ^{+0.000} / _{-.004}	3.623 ^{+0.000} / _{-.002}	3.625 ^{+0.003} / _{+0.000}	18.42
U31-3.00-50B	3	3-5/8	1/2	.550 ^{+0.015} / _{+0.000}	3.000 ^{+0.000} / _{-.002}	3.002 ^{+0.003} / _{+0.000}	3.625 ^{+0.004} / _{+0.000}	3.000 ^{+0.000} / _{-.004}	3.623 ^{+0.000} / _{-.002}	3.625 ^{+0.003} / _{+0.000}	17.59
U31-3.12-SQB	3-1/8	3-3/4	5/16	.344 ^{+0.015} / _{+0.000}	3.125 ^{+0.000} / _{-.002}	3.127 ^{+0.003} / _{+0.000}	3.750 ^{+0.004} / _{+0.000}	3.125 ^{+0.000} / _{-.004}	3.748 ^{+0.000} / _{-.002}	3.750 ^{+0.003} / _{+0.000}	16.59
U31-3.25	3-1/4	3-7/8	5/16	.344 ^{+0.015} / _{+0.000}	3.250 ^{+0.000} / _{-.002}	3.252 ^{+0.003} / _{+0.000}	3.875 ^{+0.004} / _{+0.000}	3.250 ^{+0.000} / _{-.004}	3.873 ^{+0.000} / _{-.002}	3.875 ^{+0.003} / _{+0.000}	17.91
U31-3.25-50B	3-1/4	3-7/8	1/2	.550 ^{+0.015} / _{+0.000}	3.250 ^{+0.000} / _{-.002}	3.252 ^{+0.003} / _{+0.000}	3.875 ^{+0.004} / _{+0.000}	3.250 ^{+0.000} / _{-.004}	3.873 ^{+0.000} / _{-.002}	3.875 ^{+0.003} / _{+0.000}	19.75
U31-3.37	3-3/8	4	5/16	.344 ^{+0.015} / _{+0.000}	3.375 ^{+0.000} / _{-.002}	3.377 ^{+0.003} / _{+0.000}	4.000 ^{+0.004} / _{+0.000}	3.375 ^{+0.000} / _{-.004}	3.998 ^{+0.000} / _{-.002}	4.000 ^{+0.003} / _{+0.000}	17.92
U31-3.37-50B	3-3/8	4	1/2	.550 ^{+0.015} / _{+0.000}	3.375 ^{+0.000} / _{-.002}	3.377 ^{+0.003} / _{+0.000}	4.000 ^{+0.004} / _{+0.000}	3.375 ^{+0.000} / _{-.004}	3.998 ^{+0.000} / _{-.002}	4.000 ^{+0.003} / _{+0.000}	19.55
U31-3.37-62B	3-3/8	4	5/8	.688 ^{+0.015} / _{+0.000}	3.375 ^{+0.000} / _{-.002}	3.377 ^{+0.003} / _{+0.000}	4.000 ^{+0.004} / _{+0.000}	3.375 ^{+0.000} / _{-.004}	3.998 ^{+0.000} / _{-.002}	4.000 ^{+0.003} / _{+0.000}	19.86
U31-3.50	3-1/2	4-1/8	5/16	.344 ^{+0.015} / _{+0.000}	3.500 ^{+0.000} / _{-.002}	3.502 ^{+0.003} / _{+0.000}	4.125 ^{+0.004} / _{+0.000}	3.500 ^{+0.000} / _{-.004}	4.123 ^{+0.000} / _{-.002}	4.125 ^{+0.003} / _{+0.000}	19.38
U31-3.50-50B	3-1/2	4-1/8	1/2	.550 ^{+0.015} / _{+0.000}	3.500 ^{+0.000} / _{-.002}	3.502 ^{+0.003} / _{+0.000}	4.125 ^{+0.004} / _{+0.000}	3.500 ^{+0.000} / _{-.004}	4.123 ^{+0.000} / _{-.002}	4.125 ^{+0.003} / _{+0.000}	21.33
U31-3.50-50D	3-1/2	4-1/8	1/2	.550 ^{+0.015} / _{+0.000}	3.500 ^{+0.000} / _{-.002}	3.502 ^{+0.003} / _{+0.000}	4.125 ^{+0.004} / _{+0.000}	3.500 ^{+0.000} / _{-.004}	4.123 ^{+0.000} / _{-.002}	4.125 ^{+0.003} / _{+0.000}	21.33
U31-3.62	3-5/8	4-1/4	5/16	.344 ^{+0.015} / _{+0.000}	3.625 ^{+0.000} / _{-.002}	3.627 ^{+0.003} / _{+0.000}	4.250 ^{+0.004} / _{+0.000}	3.625 ^{+0.000} / _{-.004}	4.248 ^{+0.000} / _{-.002}	4.250 ^{+0.003} / _{+0.000}	19.77
U31-3.62-50B	3-5/8	4-1/4	1/2	.550 ^{+0.015} / _{+0.000}	3.625 ^{+0.000} / _{-.002}	3.627 ^{+0.003} / _{+0.000}	4.250 ^{+0.004} / _{+0.000}	3.625 ^{+0.000} / _{-.004}	4.248 ^{+0.000} / _{-.002}	4.250 ^{+0.003} / _{+0.000}	21.99
U31-3.75	3-3/4	4-3/8	5/16	.344 ^{+0.015} / _{+0.000}	3.750 ^{+0.000} / _{-.002}	3.752 ^{+0.003} / _{+0.000}	4.375 ^{+0.004} / _{+0.000}	3.750 ^{+0.000} / _{-.004}	4.373 ^{+0.000} / _{-.002}	4.375 ^{+0.003} / _{+0.000}	19.76
U31-3.75-37B	3-3/4	4-3/8	3/8	.413 ^{+0.015} / _{+0.000}	3.750 ^{+0.000} / _{-.002}	3.752 ^{+0.003} / _{+0.000}	4.375 ^{+0.004} / _{+0.000}	3.750 ^{+0.000} / _{-.004}	4.373 ^{+0.000} / _{-.002}	4.375 ^{+0.003} / _{+0.000}	22.70
U31-3.75-50B	3-3/4	4-3/8	1/2	.550 ^{+0.015} / _{+0.000}	3.750 ^{+0.000} / _{-.002}	3.752 ^{+0.003} / _{+0.000}	4.375 ^{+0.004} / _{+0.000}	3.750 ^{+0.000} / _{-.004}	4.373 ^{+0.000} / _{-.002}	4.375 ^{+0.003} / _{+0.000}	22.70
U31-3.75-62B	3-3/4	4-3/8	5/8	.688 ^{+0.015} / _{+0.000}	3.750 ^{+0.000} / _{-.002}	3.752 ^{+0.003} / _{+0.000}	4.375 ^{+0.004} / _{+0.000}	3.750 ^{+0.000} / _{-.004}	4.373 ^{+0.000} / _{-.002}	4.375 ^{+0.003} / _{+0.000}	23.60
U31-3.87	3-7/8	4-1/2	5/16	.344 ^{+0.015} / _{+0.000}	3.875 ^{+0.000} / _{-.002}	3.877 ^{+0.003} / _{+0.000}	4.500 ^{+0.004} / _{+0.000}	3.875 ^{+0.000} / _{-.004}	4.498 ^{+0.000} / _{-.002}	4.500 ^{+0.003} / _{+0.000}	20.42
U31-3.87-50B	3-7/8	4-1/2	1/2	.550 ^{+0.015} / _{+0.000}	3.875 ^{+0.000} / _{-.002}	3.877 ^{+0.003} / _{+0.000}	4.500 ^{+0.004} / _{+0.000}	3.875 ^{+0.000} / _{-.004}	4.498 ^{+0.000} / _{-.002}	4.500 ^{+0.003} / _{+0.000}	23.60
U31-4.00	4	4-5/8	5/16	.344 ^{+0.015} / _{+0.000}	4.000 ^{+0.000} / _{-.002}	4.002 ^{+0.003} / _{+0.000}	4.625 ^{+0.004} / _{+0.000}	4.000 ^{+0.000} / _{-.004}	4.623 ^{+0.000} / _{-.002}	4.625 ^{+0.003} / _{+0.000}	21.89
U31-4.00-56B	4	4-5/8	9/16	.619 ^{+0.015} / _{+0.000}	4.000 ^{+0.000} / _{-.002}	4.002 ^{+0.003} / _{+0.000}	4.625 ^{+0.004} / _{+0.000}	4.000 ^{+0.000} / _{-.004}	4.623 ^{+0.000} / _{-.002}	4.625 ^{+0.003} / _{+0.000}	23.09
U31-4.12	4-1/8	4-3/4	5/16	.344 ^{+0.015} / _{+0.000}	4.125 ^{+0.000} / _{-.002}	4.127 ^{+0.003} / _{+0.000}	4.750 ^{+0.004} / _{+0.000}	4.125 ^{+0.000} / _{-.004}	4.748 ^{+0.000} / _{-.002}	4.750 ^{+0.003} / _{+0.000}	21.74
U31-4.12-56B	4-1/8	4-3/4	9/16	.619 ^{+0.015} / _{+0.000}	4.125 ^{+0.000} / _{-.002}	4.127 ^{+0.003} / _{+0.000}	4.750 ^{+0.004} / _{+0.000}	4.125 ^{+0.000} / _{-.004}	4.748 ^{+0.000} / _{-.002}	4.750 ^{+0.003} / _{+0.000}	23.60
U31-4.25	4-1/4	4-7/8	5/16	.344 ^{+0.015} / _{+0.000}	4.250 ^{+0.000} / _{-.002}	4.252 ^{+0.003} / _{+0.000}	4.875 ^{+0.004} / _{+0.000}	4.250 ^{+0.000} / _{-.004}	4.873 ^{+0.000} / _{-.002}	4.875 ^{+0.003} / _{+0.000}	22.39
U31-4.25-56B	4-1/4	4-7/8	9/16	.619 ^{+0.015} / _{+0.000}	4.250 ^{+0.000} / _{-.002}	4.252 ^{+0.003} / _{+0.000}	4.875 ^{+0.004} / _{+0.000}	4.250 ^{+0.000} / _{-.004}	4.873 ^{+0.000} / _{-.002}	4.875 ^{+0.003} / _{+0.000}	24.28
U31-4.37	4-3/8	5	5/16	.344 ^{+0.015} / _{+0.000}	4.375 ^{+0.000} / _{-.002}	4.377 ^{+0.003} / _{+0.000}	5.000 ^{+0.004} / _{+0.000}	4.375 ^{+0.000} / _{-.004}	4.998 ^{+0.000} / _{-.002}	5.000 ^{+0.003} / _{+0.000}	23.03
U31-4.37-50B	4-3/8	5	1/2	.550 ^{+0.015} / _{+0.000}	4.375 ^{+0.000} / _{-.002}	4.377 ^{+0.003} / _{+0.000}	5.000 ^{+0.004} / _{+0.000}	4.375 ^{+0.000} / _{-.004}	4.998 ^{+0.000} / _{-.002}	5.000 ^{+0.003} / _{+0.000}	26.13
U31-4.37-56B	4-3/8	5	9/16	.619 ^{+0.015} / _{+0.000}	4.375 ^{+0.000} / _{-.002}	4.377 ^{+0.003} / _{+0.000}	5.000 ^{+0.004} / _{+0.000}	4.375 ^{+0.000} / _{-.004}	4.998 ^{+0.000} / _{-.002}	5.000 ^{+0.003} / _{+0.000}	26.13

STYLE 800 POLYURETHANE U-SEALS

Part Number	A Nom. ID	B Nom. OD	C Nom. Ht	D GROOVE WIDTH	E ROD DIAMETER	F THROAT DIAMETER	G HOUSING DIAMETER	H GROOVE DIAMETER	I PISTON DIAMETER	J BORE DIAMETER	List Price
U31-4.50	4-1/2	5-1/8	5/16	.344 +.015 +.000	4.500 +.000 -.002	4.502 +.003 +.000	5.125 +.004 +.000	4.500 +.000 -.004	5.123 +.000 -.002	5.125 +.003 +.000	23.60
U31-4.50-50B	4-1/2	5-1/8	1/2	.550 +.015 +.000	4.500 +.000 -.002	4.502 +.003 +.000	5.125 +.004 +.000	4.500 +.000 -.004	5.123 +.000 -.002	5.125 +.003 +.000	26.90
U31-4.50-62B	4-1/2	5-1/8	5/8	.688 +.015 +.000	4.500 +.000 -.002	4.502 +.003 +.000	5.125 +.004 +.000	4.500 +.000 -.004	5.123 +.000 -.002	5.125 +.003 +.000	26.31
U31-4.62-62B	4-5/8	5-1/4	5/8	.688 +.015 +.000	4.625 +.000 -.002	4.627 +.003 +.000	5.250 +.004 +.000	4.625 +.000 -.004	5.248 +.000 -.002	5.250 +.003 +.000	28.25
U31-4.75	4-3/4	5-3/8	5/16	.344 +.015 +.000	4.750 +.000 -.002	4.752 +.003 +.000	5.375 +.004 +.000	4.750 +.000 -.004	5.373 +.000 -.002	5.375 +.003 +.000	24.82
U31-4.75-62B	4-3/4	5-3/8	5/8	.688 +.015 +.000	4.750 +.000 -.002	4.752 +.003 +.000	5.375 +.004 +.000	4.750 +.000 -.004	5.373 +.000 -.002	5.375 +.003 +.000	29.31
U31-4.87	4-7/8	5-1/2	5/16	.344 +.015 +.000	4.875 +.000 -.002	4.877 +.003 +.000	5.500 +.004 +.000	4.875 +.000 -.004	5.498 +.000 -.002	5.500 +.003 +.000	25.47
U31-5.00	5	5-5/8	5/16	.344 +.015 +.000	5.000 +.000 -.002	5.002 +.003 +.000	5.625 +.004 +.000	5.000 +.000 -.004	5.623 +.000 -.002	5.625 +.003 +.000	25.94
U31-5.00-62B	5	5-5/8	5/8	.688 +.015 +.000	5.000 +.000 -.002	5.002 +.003 +.000	5.625 +.004 +.000	5.000 +.000 -.004	5.623 +.000 -.002	5.625 +.003 +.000	31.56
U31-5.00-62D	5	5-5/8	5/8	.688 +.015 +.000	5.000 +.000 -.002	5.002 +.003 +.000	5.625 +.004 +.000	5.000 +.000 -.004	5.623 +.000 -.002	5.625 +.003 +.000	33.38
U31-5.12	5-1/8	5-3/4	5/16	.344 +.015 +.000	5.125 +.000 -.002	5.127 +.003 +.000	5.750 +.004 +.000	5.125 +.000 -.004	5.748 +.000 -.002	5.750 +.003 +.000	26.31
U31-5.25	5-1/4	5-7/8	5/16	.344 +.015 +.000	5.250 +.000 -.002	5.252 +.003 +.000	5.875 +.004 +.000	5.250 +.000 -.004	5.873 +.000 -.002	5.875 +.003 +.000	27.05
U31-5.25-62B	5-1/4	5-7/8	5/8	.688 +.015 +.000	5.250 +.000 -.002	5.252 +.003 +.000	5.875 +.004 +.000	5.250 +.000 -.004	5.873 +.000 -.002	5.875 +.003 +.000	33.76
U31-5.37	5-3/8	6	5/16	.344 +.015 +.000	5.375 +.000 -.002	5.377 +.003 +.000	6.000 +.004 +.000	5.375 +.000 -.004	5.998 +.000 -.002	6.000 +.003 +.000	28.01
U31-5.37-SQB	5-3/8	6	5/16	.344 +.015 +.000	5.375 +.000 -.002	5.377 +.003 +.000	6.000 +.004 +.000	5.375 +.000 -.004	5.998 +.000 -.002	6.000 +.003 +.000	28.72
U31-5.37-62B	5-3/8	6	5/8	.688 +.015 +.000	5.375 +.000 -.002	5.377 +.003 +.000	6.000 +.004 +.000	5.375 +.000 -.004	5.998 +.000 -.002	6.000 +.003 +.000	33.45
U31-5.50-SQB	5-1/2	6-1/8	5/16	.344 +.015 +.000	5.500 +.000 -.002	5.502 +.003 +.000	6.125 +.004 +.000	5.500 +.000 -.004	6.123 +.000 -.002	6.125 +.003 +.000	28.72
U31-5.50-62B	5-1/2	6-1/8	5/8	.688 +.015 +.000	5.500 +.000 -.002	5.502 +.003 +.000	6.125 +.004 +.000	5.500 +.000 -.004	6.123 +.000 -.002	6.125 +.003 +.000	35.03
U31-5.62	5-5/8	6-1/4	5/16	.344 +.015 +.000	5.625 +.000 -.002	5.627 +.003 +.000	6.250 +.004 +.000	5.625 +.000 -.004	6.248 +.000 -.002	6.250 +.003 +.000	35.63
U31-5.75-62B	5-3/4	6-3/8	5/8	.688 +.015 +.000	5.750 +.000 -.002	5.752 +.003 +.000	6.375 +.004 +.000	5.750 +.000 -.004	6.373 +.000 -.002	6.375 +.003 +.000	38.26
U31-5.87	5-7/8	6-1/2	5/16	.344 +.015 +.000	5.875 +.000 -.002	5.877 +.003 +.000	6.500 +.004 +.000	5.875 +.000 -.004	6.498 +.000 -.002	6.500 +.003 +.000	29.95
U31-6.00	6	6-5/8	5/16	.344 +.015 +.000	6.000 +.000 -.002	6.002 +.003 +.000	6.625 +.004 +.000	6.000 +.000 -.004	6.623 +.000 -.002	6.625 +.003 +.000	30.48
U31-6.00-62B	6	6-5/8	5/8	.688 +.015 +.000	6.000 +.000 -.002	6.002 +.003 +.000	6.625 +.004 +.000	6.000 +.000 -.004	6.623 +.000 -.002	6.625 +.003 +.000	38.37
U31-6.12	6-1/8	6-3/4	5/16	.344 +.015 +.000	6.125 +.000 -.002	6.127 +.003 +.000	6.750 +.004 +.000	6.125 +.000 -.004	6.748 +.000 -.002	6.750 +.003 +.000	30.59
U31-6.25	6-1/4	6-7/8	5/16	.344 +.015 +.000	6.250 +.000 -.002	6.252 +.003 +.000	6.875 +.004 +.000	6.250 +.000 -.004	6.873 +.000 -.002	6.875 +.003 +.000	31.61
U31-6.37	6-3/8	7	5/16	.344 +.015 +.000	6.375 +.000 -.002	6.377 +.003 +.000	7.000 +.004 +.000	6.375 +.000 -.004	6.998 +.000 -.002	7.000 +.003 +.000	31.61
U31-6.37N	6-3/8	7	5/16	.344 +.015 +.000	6.375 +.000 -.002	6.377 +.003 +.000	7.000 +.004 +.000	6.375 +.000 -.004	6.998 +.000 -.002	7.000 +.003 +.000	130.65
U31-6.37-62D	6-3/8	7	5/8	.688 +.015 +.000	6.375 +.000 -.002	6.377 +.003 +.000	7.000 +.004 +.000	6.375 +.000 -.004	6.998 +.000 -.002	7.000 +.003 +.000	60.29
U31-6.50	6-1/2	7-1/8	5/16	.344 +.015 +.000	6.500 +.000 -.002	6.502 +.003 +.000	7.125 +.004 +.000	6.500 +.000 -.004	7.123 +.000 -.002	7.125 +.003 +.000	32.20
U31-6.50-62B	6-1/2	7-1/8	5/8	.688 +.015 +.000	6.500 +.000 -.002	6.502 +.003 +.000	7.125 +.004 +.000	6.500 +.000 -.004	7.123 +.000 -.002	7.125 +.003 +.000	42.44
U31-6.62	6-5/8	7-1/4	5/16	.344 +.015 +.000	6.625 +.000 -.002	6.627 +.003 +.000	7.250 +.004 +.000	6.625 +.000 -.004	7.248 +.000 -.002	7.250 +.003 +.000	32.69
U31-6.62-62B	6-5/8	7-1/4	5/8	.688 +.010 +.000	6.625 +.000 -.002	6.627 +.003 +.000	7.250 +.004 +.000	6.625 +.000 -.004	7.248 +.000 -.002	7.250 +.003 +.000	47.81
U31-7.00-62B	7	7-5/8	5/8	.688 +.015 +.000	7.000 +.000 -.002	7.002 +.003 +.000	7.625 +.004 +.000	7.000 +.000 -.004	7.623 +.000 -.002	7.625 +.003 +.000	46.39

U-SEALS

STYLE 800 POLYURETHANE U-SEALS

U-SEALS

Part Number	A Nom. ID	B Nom. OD	C Nom. Ht	D GROOVE WIDTH	E ROD DIAMETER	F THROAT DIAMETER	G HOUSING DIAMETER	H GROOVE DIAMETER	I PISTON DIAMETER	J BORE DIAMETER	List Price
U31-7.37	7-3/8	8	5/16	.344 ^{+0.015} / _{+0.000}	7.375 ^{+0.000} / _{-.002}	7.377 ^{+0.003} / _{+0.000}	8.000 ^{+0.004} / _{+0.000}	7.375 ^{+0.000} / _{-.004}	7.998 ^{+0.000} / _{-.002}	8.000 ^{+0.003} / _{+0.000}	36.30
U31-7.37N	7-3/8	8	5/16	.344 ^{+0.015} / _{+0.000}	7.375 ^{+0.000} / _{-.002}	7.377 ^{+0.003} / _{+0.000}	8.000 ^{+0.004} / _{+0.000}	7.375 ^{+0.000} / _{-.004}	7.998 ^{+0.000} / _{-.002}	8.000 ^{+0.003} / _{+0.000}	160.90
U31-8.00-62B	8	8-5/8	5/8	.688 ^{+0.015} / _{+0.000}	8.000 ^{+0.000} / _{-.002}	8.002 ^{+0.003} / _{+0.000}	8.625 ^{+0.004} / _{+0.000}	8.000 ^{+0.000} / _{-.004}	8.623 ^{+0.000} / _{-.002}	8.625 ^{+0.003} / _{+0.000}	55.95
11/32" C/S											
U34-9.31	9-5/16	10	11/32	.379 ^{+0.015} / _{+0.000}	9.312 ^{+0.000} / _{-.002}	9.314 ^{+0.003} / _{+0.000}	10.000 ^{+0.004} / _{+0.000}	9.312 ^{+0.000} / _{-.004}	9.998 ^{+0.000} / _{-.002}	10.000 ^{+0.003} / _{+0.000}	\$69.21
3/8" C/S											
U37-0.50	1/2	1-1/4	3/8	.413 ^{+0.015} / _{+0.000}	.500 ^{+0.000} / _{-.002}	.502 ^{+0.004} / _{+0.000}	1.250 ^{+0.005} / _{+0.000}	.500 ^{+0.000} / _{-.005}	1.248 ^{+0.000} / _{-.002}	1.250 ^{+0.004} / _{+0.000}	\$8.97
U37-0.75	3/4	1-1/2	3/8	.413 ^{+0.015} / _{+0.000}	.750 ^{+0.000} / _{-.002}	.751 ^{+0.004} / _{+0.000}	1.500 ^{+0.005} / _{+0.000}	.750 ^{+0.000} / _{-.005}	1.499 ^{+0.000} / _{-.002}	1.500 ^{+0.004} / _{+0.000}	9.51
U37-0.81	13/16	1-9/16	3/8	.413 ^{+0.015} / _{+0.000}	.812 ^{+0.000} / _{-.002}	.814 ^{+0.004} / _{+0.000}	1.563 ^{+0.005} / _{+0.000}	.812 ^{+0.000} / _{-.005}	1.560 ^{+0.000} / _{-.002}	1.563 ^{+0.004} / _{+0.000}	10.02
U37-0.81-SQB	13/16	1-9/16	3/8	.413 ^{+0.015} / _{+0.000}	.812 ^{+0.000} / _{-.002}	.814 ^{+0.004} / _{+0.000}	1.563 ^{+0.005} / _{+0.000}	.812 ^{+0.000} / _{-.005}	1.560 ^{+0.000} / _{-.002}	1.563 ^{+0.004} / _{+0.000}	10.02
U37-0.87	7/8	1-5/8	3/8	.413 ^{+0.015} / _{+0.000}	.875 ^{+0.000} / _{-.002}	.877 ^{+0.004} / _{+0.000}	1.625 ^{+0.005} / _{+0.000}	.875 ^{+0.000} / _{-.005}	1.623 ^{+0.000} / _{-.002}	1.625 ^{+0.004} / _{+0.000}	10.12
U37-0.93	15/16	1-11/16	3/8	.413 ^{+0.015} / _{+0.000}	.937 ^{+0.000} / _{-.002}	.939 ^{+0.004} / _{+0.000}	1.688 ^{+0.005} / _{+0.000}	.937 ^{+0.000} / _{-.005}	1.685 ^{+0.000} / _{-.002}	1.688 ^{+0.004} / _{+0.000}	9.83
U37-1.00	1	1-3/4	3/8	.413 ^{+0.015} / _{+0.000}	1.000 ^{+0.000} / _{-.002}	1.002 ^{+0.004} / _{+0.000}	1.750 ^{+0.005} / _{+0.000}	1.000 ^{+0.000} / _{-.005}	1.748 ^{+0.000} / _{-.002}	1.750 ^{+0.004} / _{+0.000}	10.43
U37-1.00-62D	1	1-3/4	5/8	.688 ^{+0.015} / _{+0.000}	1.000 ^{+0.000} / _{-.002}	1.002 ^{+0.004} / _{+0.000}	1.750 ^{+0.005} / _{+0.000}	1.000 ^{+0.000} / _{-.005}	1.748 ^{+0.000} / _{-.002}	1.750 ^{+0.004} / _{+0.000}	10.43
U37-1.12	1-1/8	1-7/8	3/8	.413 ^{+0.015} / _{+0.000}	1.125 ^{+0.000} / _{-.002}	1.127 ^{+0.004} / _{+0.000}	1.875 ^{+0.005} / _{+0.000}	1.125 ^{+0.000} / _{-.005}	1.873 ^{+0.000} / _{-.002}	1.875 ^{+0.004} / _{+0.000}	10.83
U37-1.25	1-1/4	2	3/8	.413 ^{+0.015} / _{+0.000}	1.250 ^{+0.000} / _{-.002}	1.252 ^{+0.004} / _{+0.000}	2.000 ^{+0.005} / _{+0.000}	1.250 ^{+0.000} / _{-.005}	1.998 ^{+0.000} / _{-.002}	2.000 ^{+0.004} / _{+0.000}	11.33
U37-1.25-62D	1-1/4	2	5/8	.688 ^{+0.015} / _{+0.000}	1.250 ^{+0.000} / _{-.002}	1.252 ^{+0.004} / _{+0.000}	2.000 ^{+0.005} / _{+0.000}	1.250 ^{+0.000} / _{-.005}	1.998 ^{+0.000} / _{-.002}	2.000 ^{+0.004} / _{+0.000}	12.66
U37-1.37	1-3/8	2-1/8	3/8	.413 ^{+0.015} / _{+0.000}	1.375 ^{+0.000} / _{-.002}	1.377 ^{+0.004} / _{+0.000}	2.125 ^{+0.005} / _{+0.000}	1.375 ^{+0.000} / _{-.005}	2.123 ^{+0.000} / _{-.002}	2.125 ^{+0.004} / _{+0.000}	12.03
U37-1.50	1-1/2	2-1/4	3/8	.413 ^{+0.015} / _{+0.000}	1.500 ^{+0.000} / _{-.002}	1.502 ^{+0.004} / _{+0.000}	2.250 ^{+0.005} / _{+0.000}	1.500 ^{+0.000} / _{-.005}	2.248 ^{+0.000} / _{-.002}	2.250 ^{+0.004} / _{+0.000}	12.25
U37-1.50-50B	1-1/2	2-1/4	1/2	.550 ^{+0.015} / _{+0.000}	1.500 ^{+0.000} / _{-.002}	1.502 ^{+0.004} / _{+0.000}	2.250 ^{+0.005} / _{+0.000}	1.500 ^{+0.000} / _{-.005}	2.248 ^{+0.000} / _{-.002}	2.250 ^{+0.004} / _{+0.000}	13.77
U37-1.50-62B	1-1/2	2-1/4	5/8	.688 ^{+0.015} / _{+0.000}	1.500 ^{+0.000} / _{-.002}	1.502 ^{+0.004} / _{+0.000}	2.250 ^{+0.005} / _{+0.000}	1.500 ^{+0.000} / _{-.005}	2.248 ^{+0.000} / _{-.002}	2.250 ^{+0.004} / _{+0.000}	14.65
U37-1.56	1-9/16	2-5/16	3/8	.413 ^{+0.015} / _{+0.000}	1.562 ^{+0.000} / _{-.002}	1.565 ^{+0.004} / _{+0.000}	2.313 ^{+0.005} / _{+0.000}	1.562 ^{+0.000} / _{-.005}	2.310 ^{+0.000} / _{-.002}	2.313 ^{+0.004} / _{+0.000}	13.27
U37-1.62	1-5/8	2-3/8	3/8	.413 ^{+0.015} / _{+0.000}	1.625 ^{+0.000} / _{-.002}	1.627 ^{+0.004} / _{+0.000}	2.375 ^{+0.005} / _{+0.000}	1.625 ^{+0.000} / _{-.005}	2.373 ^{+0.000} / _{-.002}	2.375 ^{+0.004} / _{+0.000}	11.31
U37-1.62-SQB	1-5/8	2-3/8	3/8	.413 ^{+0.015} / _{+0.000}	1.625 ^{+0.000} / _{-.002}	1.627 ^{+0.004} / _{+0.000}	2.375 ^{+0.005} / _{+0.000}	1.625 ^{+0.000} / _{-.005}	2.373 ^{+0.000} / _{-.002}	2.375 ^{+0.004} / _{+0.000}	13.73
U37-1.62-62B	1-5/8	2-3/8	5/8	.688 ^{+0.015} / _{+0.000}	1.625 ^{+0.000} / _{-.002}	1.627 ^{+0.004} / _{+0.000}	2.375 ^{+0.005} / _{+0.000}	1.625 ^{+0.000} / _{-.005}	2.373 ^{+0.000} / _{-.002}	2.375 ^{+0.004} / _{+0.000}	14.26
U37-1.75	1-3/4	2-1/2	3/8	.413 ^{+0.015} / _{+0.000}	1.750 ^{+0.000} / _{-.002}	1.752 ^{+0.004} / _{+0.000}	2.500 ^{+0.005} / _{+0.000}	1.750 ^{+0.000} / _{-.005}	2.498 ^{+0.000} / _{-.002}	2.500 ^{+0.004} / _{+0.000}	13.97
U37-1.75-62B	1-3/4	2-1/2	5/8	.688 ^{+0.015} / _{+0.000}	1.750 ^{+0.000} / _{-.002}	1.752 ^{+0.004} / _{+0.000}	2.500 ^{+0.005} / _{+0.000}	1.750 ^{+0.000} / _{-.005}	2.498 ^{+0.000} / _{-.002}	2.500 ^{+0.004} / _{+0.000}	15.90
U37-1.87	1-7/8	2-5/8	3/8	.413 ^{+0.015} / _{+0.000}	1.875 ^{+0.000} / _{-.002}	1.877 ^{+0.004} / _{+0.000}	2.625 ^{+0.005} / _{+0.000}	1.875 ^{+0.000} / _{-.005}	2.623 ^{+0.000} / _{-.002}	2.625 ^{+0.004} / _{+0.000}	15.31
U37-2.00	2	2-3/4	3/8	.413 ^{+0.015} / _{+0.000}	2.000 ^{+0.000} / _{-.002}	2.002 ^{+0.004} / _{+0.000}	2.750 ^{+0.005} / _{+0.000}	2.000 ^{+0.000} / _{-.005}	2.748 ^{+0.000} / _{-.002}	2.750 ^{+0.004} / _{+0.000}	16.07
U37-2.00-SQB	2	2-3/4	3/8	.413 ^{+0.015} / _{+0.000}	2.000 ^{+0.000} / _{-.002}	2.002 ^{+0.004} / _{+0.000}	2.750 ^{+0.005} / _{+0.000}	2.000 ^{+0.000} / _{-.005}	2.748 ^{+0.000} / _{-.002}	2.750 ^{+0.004} / _{+0.000}	16.07
U37-2.00-50B	2	2-3/4	1/2	.550 ^{+0.015} / _{+0.000}	2.000 ^{+0.000} / _{-.002}	2.002 ^{+0.004} / _{+0.000}	2.750 ^{+0.005} / _{+0.000}	2.000 ^{+0.000} / _{-.005}	2.748 ^{+0.000} / _{-.002}	2.750 ^{+0.004} / _{+0.000}	17.71
U37-2.00-62B	2	2-3/4	5/8	.688 ^{+0.015} / _{+0.000}	2.000 ^{+0.000} / _{-.002}	2.002 ^{+0.004} / _{+0.000}	2.750 ^{+0.005} / _{+0.000}	2.000 ^{+0.000} / _{-.005}	2.748 ^{+0.000} / _{-.002}	2.750 ^{+0.004} / _{+0.000}	17.71
U37-2.12	2-1/8	2-7/8	3/8	.413 ^{+0.015} / _{+0.000}	2.125 ^{+0.000} / _{-.002}	2.127 ^{+0.004} / _{+0.000}	2.875 ^{+0.005} / _{+0.000}	2.125 ^{+0.000} / _{-.005}	2.873 ^{+0.000} / _{-.002}	2.875 ^{+0.004} / _{+0.000}	16.38

STYLE 800 POLYURETHANE U-SEALS

U-SEALS

Part Number	A Nom. ID	B Nom. OD	C Nom. Ht	D GROOVE WIDTH	E ROD DIAMETER	F THROAT DIAMETER	G HOUSING DIAMETER	H GROOVE DIAMETER	I PISTON DIAMETER	J BORE DIAMETER	List Price
U37-2.25	2-1/4	3	3/8	.413 ⁺⁰¹⁵ / ₊₀₀₀	2.250 ⁺⁰⁰⁰ / _{-.002}	2.252 ⁺⁰⁰⁴ / ₊₀₀₀	3.000 ⁺⁰⁰⁵ / ₊₀₀₀	2.250 ⁺⁰⁰⁰ / _{-.005}	2.998 ⁺⁰⁰⁰ / _{-.002}	3.000 ⁺⁰⁰⁴ / ₊₀₀₀	19.38
U37-2.25-SQB	2-1/4	3	3/8	.413 ⁺⁰¹⁵ / ₊₀₀₀	2.250 ⁺⁰⁰⁰ / _{-.002}	2.252 ⁺⁰⁰⁴ / ₊₀₀₀	3.000 ⁺⁰⁰⁵ / ₊₀₀₀	2.250 ⁺⁰⁰⁰ / _{-.005}	2.998 ⁺⁰⁰⁰ / _{-.002}	3.000 ⁺⁰⁰⁴ / ₊₀₀₀	18.02
U37-2.25-50B	2-1/4	3	1/2	.550 ⁺⁰¹⁵ / ₊₀₀₀	2.250 ⁺⁰⁰⁰ / _{-.002}	2.252 ⁺⁰⁰⁴ / ₊₀₀₀	3.000 ⁺⁰⁰⁵ / ₊₀₀₀	2.250 ⁺⁰⁰⁰ / _{-.005}	2.998 ⁺⁰⁰⁰ / _{-.002}	3.000 ⁺⁰⁰⁴ / ₊₀₀₀	19.96
U37-2.25-62B	2-1/4	3	5/8	.688 ⁺⁰¹⁵ / ₊₀₀₀	2.250 ⁺⁰⁰⁰ / _{-.002}	2.252 ⁺⁰⁰⁴ / ₊₀₀₀	3.000 ⁺⁰⁰⁵ / ₊₀₀₀	2.250 ⁺⁰⁰⁰ / _{-.005}	2.998 ⁺⁰⁰⁰ / _{-.002}	3.000 ⁺⁰⁰⁴ / ₊₀₀₀	19.75
U37-2.25-62D	2-1/4	3	5/8	.688 ⁺⁰¹⁵ / ₊₀₀₀	2.250 ⁺⁰⁰⁰ / _{-.002}	2.252 ⁺⁰⁰⁴ / ₊₀₀₀	3.000 ⁺⁰⁰⁵ / ₊₀₀₀	2.250 ⁺⁰⁰⁰ / _{-.005}	2.998 ⁺⁰⁰⁰ / _{-.002}	3.000 ⁺⁰⁰⁴ / ₊₀₀₀	19.75
U37-2.37	2-3/8	3-1/8	3/8	.413 ⁺⁰¹⁵ / ₊₀₀₀	2.375 ⁺⁰⁰⁰ / _{-.002}	2.377 ⁺⁰⁰⁴ / ₊₀₀₀	3.125 ⁺⁰⁰⁵ / ₊₀₀₀	2.375 ⁺⁰⁰⁰ / _{-.005}	3.123 ⁺⁰⁰⁰ / _{-.002}	3.125 ⁺⁰⁰⁴ / ₊₀₀₀	18.28
U37-2.50	2-1/2	3-1/4	3/8	.413 ⁺⁰¹⁵ / ₊₀₀₀	2.500 ⁺⁰⁰⁰ / _{-.002}	2.502 ⁺⁰⁰⁴ / ₊₀₀₀	3.250 ⁺⁰⁰⁵ / ₊₀₀₀	2.500 ⁺⁰⁰⁰ / _{-.005}	3.248 ⁺⁰⁰⁰ / _{-.002}	3.250 ⁺⁰⁰⁴ / ₊₀₀₀	19.54
U37-2.50-SQB	2-1/2	3-1/4	3/8	.413 ⁺⁰¹⁵ / ₊₀₀₀	2.500 ⁺⁰⁰⁰ / _{-.002}	2.502 ⁺⁰⁰⁴ / ₊₀₀₀	3.250 ⁺⁰⁰⁵ / ₊₀₀₀	2.500 ⁺⁰⁰⁰ / _{-.005}	3.248 ⁺⁰⁰⁰ / _{-.002}	3.250 ⁺⁰⁰⁴ / ₊₀₀₀	19.54
U37-2.50-50B	2-1/2	3-1/4	1/2	.550 ⁺⁰¹⁵ / ₊₀₀₀	2.500 ⁺⁰⁰⁰ / _{-.002}	2.502 ⁺⁰⁰⁴ / ₊₀₀₀	3.250 ⁺⁰⁰⁵ / ₊₀₀₀	2.500 ⁺⁰⁰⁰ / _{-.005}	3.248 ⁺⁰⁰⁰ / _{-.002}	3.250 ⁺⁰⁰⁴ / ₊₀₀₀	20.79
U37-2.50-62B	2-1/2	3-1/4	5/8	.688 ⁺⁰¹⁵ / ₊₀₀₀	2.500 ⁺⁰⁰⁰ / _{-.002}	2.502 ⁺⁰⁰⁴ / ₊₀₀₀	3.250 ⁺⁰⁰⁵ / ₊₀₀₀	2.500 ⁺⁰⁰⁰ / _{-.005}	3.248 ⁺⁰⁰⁰ / _{-.002}	3.250 ⁺⁰⁰⁴ / ₊₀₀₀	20.79
U37-2.50-62D	2-1/2	3-1/4	5/8	.688 ⁺⁰¹⁵ / ₊₀₀₀	2.500 ⁺⁰⁰⁰ / _{-.002}	2.502 ⁺⁰⁰⁴ / ₊₀₀₀	3.250 ⁺⁰⁰⁵ / ₊₀₀₀	2.500 ⁺⁰⁰⁰ / _{-.005}	3.248 ⁺⁰⁰⁰ / _{-.002}	3.250 ⁺⁰⁰⁴ / ₊₀₀₀	20.79
U37-2.62	2-5/8	3-3/8	3/8	.413 ⁺⁰¹⁵ / ₊₀₀₀	2.625 ⁺⁰⁰⁰ / _{-.002}	2.627 ⁺⁰⁰⁴ / ₊₀₀₀	3.375 ⁺⁰⁰⁵ / ₊₀₀₀	2.625 ⁺⁰⁰⁰ / _{-.005}	3.373 ⁺⁰⁰⁰ / _{-.002}	3.375 ⁺⁰⁰⁴ / ₊₀₀₀	19.64
U37-2.62-62B	2-5/8	3-3/8	5/8	.688 ⁺⁰¹⁵ / ₊₀₀₀	2.625 ⁺⁰⁰⁰ / _{-.002}	2.627 ⁺⁰⁰⁴ / ₊₀₀₀	3.375 ⁺⁰⁰⁵ / ₊₀₀₀	2.625 ⁺⁰⁰⁰ / _{-.005}	3.373 ⁺⁰⁰⁰ / _{-.002}	3.375 ⁺⁰⁰⁴ / ₊₀₀₀	22.43
U37-2.75	2-3/4	3-1/2	3/8	.413 ⁺⁰¹⁵ / ₊₀₀₀	2.750 ⁺⁰⁰⁰ / _{-.002}	2.752 ⁺⁰⁰⁴ / ₊₀₀₀	3.500 ⁺⁰⁰⁵ / ₊₀₀₀	2.750 ⁺⁰⁰⁰ / _{-.005}	3.498 ⁺⁰⁰⁰ / _{-.002}	3.500 ⁺⁰⁰⁴ / ₊₀₀₀	20.54
U37-2.75-50B	2-3/4	3-1/2	1/2	.550 ⁺⁰¹⁵ / ₊₀₀₀	2.750 ⁺⁰⁰⁰ / _{-.002}	2.752 ⁺⁰⁰⁴ / ₊₀₀₀	3.500 ⁺⁰⁰⁵ / ₊₀₀₀	2.750 ⁺⁰⁰⁰ / _{-.005}	3.498 ⁺⁰⁰⁰ / _{-.002}	3.500 ⁺⁰⁰⁴ / ₊₀₀₀	23.73
U37-2.75-50D	2-3/4	3-1/2	1/2	.550 ⁺⁰¹⁵ / ₊₀₀₀	2.750 ⁺⁰⁰⁰ / _{-.002}	2.752 ⁺⁰⁰⁴ / ₊₀₀₀	3.500 ⁺⁰⁰⁵ / ₊₀₀₀	2.750 ⁺⁰⁰⁰ / _{-.005}	3.498 ⁺⁰⁰⁰ / _{-.002}	3.500 ⁺⁰⁰⁴ / ₊₀₀₀	23.73
U37-2.75-62B	2-3/4	3-1/2	5/8	.688 ⁺⁰¹⁵ / ₊₀₀₀	2.750 ⁺⁰⁰⁰ / _{-.002}	2.752 ⁺⁰⁰⁴ / ₊₀₀₀	3.500 ⁺⁰⁰⁵ / ₊₀₀₀	2.750 ⁺⁰⁰⁰ / _{-.005}	3.498 ⁺⁰⁰⁰ / _{-.002}	3.500 ⁺⁰⁰⁴ / ₊₀₀₀	23.73
U37-2.75-62D	2-3/4	3-1/2	5/8	.688 ⁺⁰¹⁵ / ₊₀₀₀	2.750 ⁺⁰⁰⁰ / _{-.002}	2.752 ⁺⁰⁰⁴ / ₊₀₀₀	3.500 ⁺⁰⁰⁵ / ₊₀₀₀	2.750 ⁺⁰⁰⁰ / _{-.005}	3.498 ⁺⁰⁰⁰ / _{-.002}	3.500 ⁺⁰⁰⁴ / ₊₀₀₀	28.73
U37-2.81	2-13/16	3-9/16	3/8	.413 ⁺⁰¹⁵ / ₊₀₀₀	2.812 ⁺⁰⁰⁰ / _{-.002}	2.814 ⁺⁰⁰⁴ / ₊₀₀₀	3.563 ⁺⁰⁰⁵ / ₊₀₀₀	2.812 ⁺⁰⁰⁰ / _{-.005}	3.560 ⁺⁰⁰⁰ / _{-.002}	3.563 ⁺⁰⁰⁴ / ₊₀₀₀	25.41
U37-2.93	2-15/16	3-11/16	3/8	.413 ⁺⁰¹⁵ / ₊₀₀₀	2.937 ⁺⁰⁰⁰ / _{-.002}	2.939 ⁺⁰⁰⁴ / ₊₀₀₀	3.688 ⁺⁰⁰⁵ / ₊₀₀₀	2.937 ⁺⁰⁰⁰ / _{-.005}	3.685 ⁺⁰⁰⁰ / _{-.002}	3.688 ⁺⁰⁰⁴ / ₊₀₀₀	25.41
U37-3.00	3	3-3/4	3/8	.413 ⁺⁰¹⁵ / ₊₀₀₀	3.000 ⁺⁰⁰⁰ / _{-.002}	3.002 ⁺⁰⁰⁴ / ₊₀₀₀	3.750 ⁺⁰⁰⁵ / ₊₀₀₀	3.000 ⁺⁰⁰⁰ / _{-.005}	3.748 ⁺⁰⁰⁰ / _{-.002}	3.750 ⁺⁰⁰⁴ / ₊₀₀₀	25.08
U37-3.00-SQB	3	3-3/4	3/8	.413 ⁺⁰¹⁵ / ₊₀₀₀	3.000 ⁺⁰⁰⁰ / _{-.002}	3.002 ⁺⁰⁰⁴ / ₊₀₀₀	3.750 ⁺⁰⁰⁵ / ₊₀₀₀	3.000 ⁺⁰⁰⁰ / _{-.005}	3.748 ⁺⁰⁰⁰ / _{-.002}	3.750 ⁺⁰⁰⁴ / ₊₀₀₀	25.41
U37-3.00-50B	3	3-3/4	1/2	.550 ⁺⁰¹⁵ / ₊₀₀₀	3.000 ⁺⁰⁰⁰ / _{-.002}	3.002 ⁺⁰⁰⁴ / ₊₀₀₀	3.750 ⁺⁰⁰⁵ / ₊₀₀₀	3.000 ⁺⁰⁰⁰ / _{-.005}	3.748 ⁺⁰⁰⁰ / _{-.002}	3.750 ⁺⁰⁰⁴ / ₊₀₀₀	25.83
U37-3.00-62B	3	3-3/4	5/8	.688 ⁺⁰¹⁵ / ₊₀₀₀	3.000 ⁺⁰⁰⁰ / _{-.002}	3.002 ⁺⁰⁰⁴ / ₊₀₀₀	3.750 ⁺⁰⁰⁵ / ₊₀₀₀	3.000 ⁺⁰⁰⁰ / _{-.005}	3.748 ⁺⁰⁰⁰ / _{-.002}	3.750 ⁺⁰⁰⁴ / ₊₀₀₀	24.68
U37-3.12-SQB	3-1/8	3-7/8	3/8	.413 ⁺⁰¹⁵ / ₊₀₀₀	3.125 ⁺⁰⁰⁰ / _{-.002}	3.127 ⁺⁰⁰⁴ / ₊₀₀₀	3.875 ⁺⁰⁰⁵ / ₊₀₀₀	3.125 ⁺⁰⁰⁰ / _{-.005}	3.873 ⁺⁰⁰⁰ / _{-.002}	3.875 ⁺⁰⁰⁴ / ₊₀₀₀	24.26
U37-3.25	3-1/4	4	3/8	.413 ⁺⁰¹⁵ / ₊₀₀₀	3.250 ⁺⁰⁰⁰ / _{-.002}	3.252 ⁺⁰⁰⁴ / ₊₀₀₀	4.000 ⁺⁰⁰⁵ / ₊₀₀₀	3.250 ⁺⁰⁰⁰ / _{-.005}	3.998 ⁺⁰⁰⁰ / _{-.002}	4.000 ⁺⁰⁰⁴ / ₊₀₀₀	25.77
U37-3.25-50B	3-1/4	4	1/2	.550 ⁺⁰¹⁵ / ₊₀₀₀	3.250 ⁺⁰⁰⁰ / _{-.002}	3.252 ⁺⁰⁰⁴ / ₊₀₀₀	4.000 ⁺⁰⁰⁵ / ₊₀₀₀	3.250 ⁺⁰⁰⁰ / _{-.005}	3.998 ⁺⁰⁰⁰ / _{-.002}	4.000 ⁺⁰⁰⁴ / ₊₀₀₀	26.23
U37-3.25-62B	3-1/4	4	5/8	.688 ⁺⁰¹⁵ / ₊₀₀₀	3.250 ⁺⁰⁰⁰ / _{-.002}	3.252 ⁺⁰⁰⁴ / ₊₀₀₀	4.000 ⁺⁰⁰⁵ / ₊₀₀₀	3.250 ⁺⁰⁰⁰ / _{-.005}	3.998 ⁺⁰⁰⁰ / _{-.002}	4.000 ⁺⁰⁰⁴ / ₊₀₀₀	26.23
U37-3.37	3-3/8	4-1/8	3/8	.413 ⁺⁰¹⁵ / ₊₀₀₀	3.375 ⁺⁰⁰⁰ / _{-.002}	3.377 ⁺⁰⁰⁴ / ₊₀₀₀	4.125 ⁺⁰⁰⁵ / ₊₀₀₀	3.375 ⁺⁰⁰⁰ / _{-.005}	4.123 ⁺⁰⁰⁰ / _{-.002}	4.125 ⁺⁰⁰⁴ / ₊₀₀₀	25.83
U37-3.37-62B	3-3/8	4-1/8	5/8	.688 ⁺⁰¹⁵ / ₊₀₀₀	3.375 ⁺⁰⁰⁰ / _{-.002}	3.377 ⁺⁰⁰⁴ / ₊₀₀₀	4.125 ⁺⁰⁰⁵ / ₊₀₀₀	3.375 ⁺⁰⁰⁰ / _{-.005}	4.123 ⁺⁰⁰⁰ / _{-.002}	4.125 ⁺⁰⁰⁴ / ₊₀₀₀	26.83
U37-3.50	3-1/2	4-1/4	3/8	.413 ⁺⁰¹⁵ / ₊₀₀₀	3.500 ⁺⁰⁰⁰ / _{-.002}	3.502 ⁺⁰⁰⁴ / ₊₀₀₀	4.250 ⁺⁰⁰⁵ / ₊₀₀₀	3.500 ⁺⁰⁰⁰ / _{-.005}	4.248 ⁺⁰⁰⁰ / _{-.002}	4.250 ⁺⁰⁰⁴ / ₊₀₀₀	26.26
U37-3.50-50D	3-1/2	4-1/4	1/2	.550 ⁺⁰¹⁵ / ₊₀₀₀	3.500 ⁺⁰⁰⁰ / _{-.002}	3.502 ⁺⁰⁰⁴ / ₊₀₀₀	4.250 ⁺⁰⁰⁵ / ₊₀₀₀	3.500 ⁺⁰⁰⁰ / _{-.005}	4.248 ⁺⁰⁰⁰ / _{-.002}	4.250 ⁺⁰⁰⁴ / ₊₀₀₀	29.35
U37-3.50-62B	3-1/2	4-1/4	5/8	.688 ⁺⁰¹⁵ / ₊₀₀₀	3.500 ⁺⁰⁰⁰ / _{-.002}	3.502 ⁺⁰⁰⁴ / ₊₀₀₀	4.250 ⁺⁰⁰⁵ / ₊₀₀₀	3.500 ⁺⁰⁰⁰ / _{-.005}	4.248 ⁺⁰⁰⁰ / _{-.002}	4.250 ⁺⁰⁰⁴ / ₊₀₀₀	28.07

STYLE 800 POLYURETHANE U-SEALS

U-SEALS

Part Number	A Nom. ID	B Nom. OD	C Nom. Ht	D GROOVE WIDTH	E ROD DIAMETER	F THROAT DIAMETER	G HOUSING DIAMETER	H GROOVE DIAMETER	I PISTON DIAMETER	J BORE DIAMETER	List Price
U37-3.62	3-5/8	4-3/8	3/8	.413 ^{+0.015} / _{+0.000}	3.625 ^{+0.000} / _{-0.002}	3.627 ^{+0.004} / _{+0.000}	4.375 ^{+0.005} / _{+0.000}	3.625 ^{+0.000} / _{-0.005}	4.373 ^{+0.000} / _{-0.002}	4.375 ^{+0.004} / _{+0.000}	26.26
U37-3.62-50B	3-5/8	4-3/8	1/2	.550 ^{+0.015} / _{+0.000}	3.625 ^{+0.000} / _{-0.002}	3.627 ^{+0.004} / _{+0.000}	4.375 ^{+0.005} / _{+0.000}	3.625 ^{+0.000} / _{-0.005}	4.373 ^{+0.000} / _{-0.002}	4.375 ^{+0.004} / _{+0.000}	30.33
U37-3.62-62B	3-5/8	4-3/8	5/8	.688 ^{+0.015} / _{+0.000}	3.625 ^{+0.000} / _{-0.002}	3.627 ^{+0.004} / _{+0.000}	4.375 ^{+0.005} / _{+0.000}	3.625 ^{+0.000} / _{-0.005}	4.373 ^{+0.000} / _{-0.002}	4.375 ^{+0.004} / _{+0.000}	29.07
U37-3.75	3-3/4	4-1/2	3/8	.413 ^{+0.015} / _{+0.000}	3.750 ^{+0.000} / _{-0.002}	3.752 ^{+0.004} / _{+0.000}	4.500 ^{+0.005} / _{+0.000}	3.750 ^{+0.000} / _{-0.005}	4.498 ^{+0.000} / _{-0.002}	4.500 ^{+0.004} / _{+0.000}	26.83
U37-3.75-SQB	3-3/4	4-1/2	3/8	.413 ^{+0.015} / _{+0.000}	3.750 ^{+0.000} / _{-0.002}	3.752 ^{+0.004} / _{+0.000}	4.500 ^{+0.005} / _{+0.000}	3.750 ^{+0.000} / _{-0.005}	4.498 ^{+0.000} / _{-0.002}	4.500 ^{+0.004} / _{+0.000}	26.83
U37-3.75-50D	3-3/4	4-1/2	1/2	.550 ^{+0.015} / _{+0.000}	3.750 ^{+0.000} / _{-0.002}	3.752 ^{+0.004} / _{+0.000}	4.500 ^{+0.005} / _{+0.000}	3.750 ^{+0.000} / _{-0.005}	4.498 ^{+0.000} / _{-0.002}	4.500 ^{+0.004} / _{+0.000}	29.84
U37-3.75-62B	3-3/4	4-1/2	5/8	.688 ^{+0.015} / _{+0.000}	3.750 ^{+0.000} / _{-0.002}	3.752 ^{+0.004} / _{+0.000}	4.500 ^{+0.005} / _{+0.000}	3.750 ^{+0.000} / _{-0.005}	4.498 ^{+0.000} / _{-0.002}	4.500 ^{+0.004} / _{+0.000}	29.84
U37-3.87	3-7/8	4-5/8	3/8	.413 ^{+0.015} / _{+0.000}	3.875 ^{+0.000} / _{-0.002}	3.877 ^{+0.004} / _{+0.000}	4.625 ^{+0.005} / _{+0.000}	3.875 ^{+0.000} / _{-0.005}	4.623 ^{+0.000} / _{-0.002}	4.625 ^{+0.004} / _{+0.000}	27.74
U37-4.00	4	4-3/4	3/8	.413 ^{+0.015} / _{+0.000}	4.000 ^{+0.000} / _{-0.002}	4.002 ^{+0.004} / _{+0.000}	4.750 ^{+0.005} / _{+0.000}	4.000 ^{+0.000} / _{-0.005}	4.748 ^{+0.000} / _{-0.002}	4.750 ^{+0.004} / _{+0.000}	35.72
U37-4.00-50D	4	4-3/4	1/2	.550 ^{+0.015} / _{+0.000}	4.000 ^{+0.000} / _{-0.002}	4.002 ^{+0.004} / _{+0.000}	4.750 ^{+0.005} / _{+0.000}	4.000 ^{+0.000} / _{-0.005}	4.748 ^{+0.000} / _{-0.002}	4.750 ^{+0.004} / _{+0.000}	30.05
U37-4.00-62B	4	4-3/4	5/8	.688 ^{+0.015} / _{+0.000}	4.000 ^{+0.000} / _{-0.002}	4.002 ^{+0.004} / _{+0.000}	4.750 ^{+0.005} / _{+0.000}	4.000 ^{+0.000} / _{-0.005}	4.748 ^{+0.000} / _{-0.002}	4.750 ^{+0.004} / _{+0.000}	31.67
U37-4.00-62D	4	4-3/4	5/8	.688 ^{+0.015} / _{+0.000}	4.000 ^{+0.000} / _{-0.002}	4.002 ^{+0.004} / _{+0.000}	4.750 ^{+0.005} / _{+0.000}	4.000 ^{+0.000} / _{-0.005}	4.748 ^{+0.000} / _{-0.002}	4.750 ^{+0.004} / _{+0.000}	39.14
U37-4.12	4-1/8	4-7/8	3/8	.413 ^{+0.015} / _{+0.000}	4.125 ^{+0.000} / _{-0.002}	4.127 ^{+0.004} / _{+0.000}	4.875 ^{+0.005} / _{+0.000}	4.125 ^{+0.000} / _{-0.005}	4.873 ^{+0.000} / _{-0.002}	4.875 ^{+0.004} / _{+0.000}	29.41
U37-4.25	4-1/4	5	3/8	.413 ^{+0.015} / _{+0.000}	4.250 ^{+0.000} / _{-0.002}	4.252 ^{+0.004} / _{+0.000}	5.000 ^{+0.005} / _{+0.000}	4.250 ^{+0.000} / _{-0.005}	4.998 ^{+0.000} / _{-0.002}	5.000 ^{+0.004} / _{+0.000}	30.28
U37-4.25-SQB	4-1/4	5	3/8	.413 ^{+0.015} / _{+0.000}	4.250 ^{+0.000} / _{-0.002}	4.252 ^{+0.004} / _{+0.000}	5.000 ^{+0.005} / _{+0.000}	4.250 ^{+0.000} / _{-0.005}	4.998 ^{+0.000} / _{-0.002}	5.000 ^{+0.004} / _{+0.000}	30.28
U37-4.25-50B	4-1/4	5	1/2	.550 ^{+0.015} / _{+0.000}	4.250 ^{+0.000} / _{-0.002}	4.252 ^{+0.004} / _{+0.000}	5.000 ^{+0.005} / _{+0.000}	4.250 ^{+0.000} / _{-0.005}	4.998 ^{+0.000} / _{-0.002}	5.000 ^{+0.004} / _{+0.000}	38.92
U37-4.25-50D	4-1/4	5	1/2	.550 ^{+0.015} / _{+0.000}	4.250 ^{+0.000} / _{-0.002}	4.252 ^{+0.004} / _{+0.000}	5.000 ^{+0.005} / _{+0.000}	4.250 ^{+0.000} / _{-0.005}	4.998 ^{+0.000} / _{-0.002}	5.000 ^{+0.004} / _{+0.000}	33.17
U37-4.25-62B	4-1/4	5	5/8	.688 ^{+0.015} / _{+0.000}	4.250 ^{+0.000} / _{-0.002}	4.252 ^{+0.004} / _{+0.000}	5.000 ^{+0.005} / _{+0.000}	4.250 ^{+0.000} / _{-0.005}	4.998 ^{+0.000} / _{-0.002}	5.000 ^{+0.004} / _{+0.000}	33.17
U37-4.25-62D	4-1/4	5	5/8	.688 ^{+0.015} / _{+0.000}	4.250 ^{+0.000} / _{-0.002}	4.252 ^{+0.004} / _{+0.000}	5.000 ^{+0.005} / _{+0.000}	4.250 ^{+0.000} / _{-0.005}	4.998 ^{+0.000} / _{-0.002}	5.000 ^{+0.004} / _{+0.000}	33.17
U37-4.37	4-3/8	5-1/8	3/8	.413 ^{+0.015} / _{+0.000}	4.375 ^{+0.000} / _{-0.002}	4.377 ^{+0.004} / _{+0.000}	5.125 ^{+0.005} / _{+0.000}	4.375 ^{+0.000} / _{-0.005}	5.123 ^{+0.000} / _{-0.002}	5.125 ^{+0.004} / _{+0.000}	30.98
U37-4.37-62B	4-3/8	5-1/8	5/8	.688 ^{+0.015} / _{+0.000}	4.375 ^{+0.000} / _{-0.002}	4.377 ^{+0.004} / _{+0.000}	5.125 ^{+0.005} / _{+0.000}	4.375 ^{+0.000} / _{-0.005}	5.123 ^{+0.000} / _{-0.002}	5.125 ^{+0.004} / _{+0.000}	33.96
U37-4.50	4-1/2	5-1/4	3/8	.413 ^{+0.015} / _{+0.000}	4.500 ^{+0.000} / _{-0.002}	4.502 ^{+0.004} / _{+0.000}	5.250 ^{+0.005} / _{+0.000}	4.500 ^{+0.000} / _{-0.005}	5.248 ^{+0.000} / _{-0.002}	5.250 ^{+0.004} / _{+0.000}	35.72
U37-4.50-SQB	4-1/2	5-1/4	3/8	.413 ^{+0.015} / _{+0.000}	4.500 ^{+0.000} / _{-0.002}	4.502 ^{+0.004} / _{+0.000}	5.250 ^{+0.005} / _{+0.000}	4.500 ^{+0.000} / _{-0.005}	5.248 ^{+0.000} / _{-0.002}	5.250 ^{+0.004} / _{+0.000}	33.34
U37-4.50-62B	4-1/2	5-1/4	5/8	.688 ^{+0.015} / _{+0.000}	4.500 ^{+0.000} / _{-0.002}	4.502 ^{+0.004} / _{+0.000}	5.250 ^{+0.005} / _{+0.000}	4.500 ^{+0.000} / _{-0.005}	5.248 ^{+0.000} / _{-0.002}	5.250 ^{+0.004} / _{+0.000}	34.83
U37-4.62	4-5/8	5-3/8	3/8	.413 ^{+0.015} / _{+0.000}	4.625 ^{+0.000} / _{-0.002}	4.627 ^{+0.004} / _{+0.000}	5.375 ^{+0.005} / _{+0.000}	4.625 ^{+0.000} / _{-0.005}	5.373 ^{+0.000} / _{-0.002}	5.375 ^{+0.004} / _{+0.000}	33.59
U37-4.62-62B	4-5/8	5-3/8	5/8	.688 ^{+0.015} / _{+0.000}	4.625 ^{+0.000} / _{-0.002}	4.627 ^{+0.004} / _{+0.000}	5.375 ^{+0.005} / _{+0.000}	4.625 ^{+0.000} / _{-0.005}	5.373 ^{+0.000} / _{-0.002}	5.375 ^{+0.004} / _{+0.000}	35.41
U37-4.75	4-3/4	5-1/2	3/8	.413 ^{+0.010} / _{+0.000}	4.750 ^{+0.000} / _{-0.002}	4.752 ^{+0.004} / _{+0.000}	5.500 ^{+0.005} / _{+0.000}	4.750 ^{+0.000} / _{-0.005}	5.498 ^{+0.000} / _{-0.002}	5.500 ^{+0.005} / _{+0.000}	33.04
U37-4.75-SQB	4-3/4	5-1/2	3/8	.413 ^{+0.015} / _{+0.000}	4.750 ^{+0.000} / _{-0.002}	4.752 ^{+0.004} / _{+0.000}	5.500 ^{+0.005} / _{+0.000}	4.750 ^{+0.000} / _{-0.005}	5.498 ^{+0.000} / _{-0.002}	5.500 ^{+0.004} / _{+0.000}	34.98
U37-4.75-50B	4-3/4	5-1/2	1/2	.550 ^{+0.015} / _{+0.000}	4.750 ^{+0.000} / _{-0.002}	4.752 ^{+0.004} / _{+0.000}	5.500 ^{+0.005} / _{+0.000}	4.750 ^{+0.000} / _{-0.005}	5.498 ^{+0.000} / _{-0.002}	5.500 ^{+0.004} / _{+0.000}	36.40
U37-4.75-62B	4-3/4	5-1/2	5/8	.688 ^{+0.015} / _{+0.000}	4.750 ^{+0.000} / _{-0.002}	4.752 ^{+0.004} / _{+0.000}	5.500 ^{+0.005} / _{+0.000}	4.750 ^{+0.000} / _{-0.005}	5.498 ^{+0.000} / _{-0.002}	5.500 ^{+0.004} / _{+0.000}	36.40
U37-4.87	4-7/8	5-5/8	3/8	.413 ^{+0.015} / _{+0.000}	4.875 ^{+0.000} / _{-0.002}	4.877 ^{+0.004} / _{+0.000}	5.625 ^{+0.005} / _{+0.000}	4.875 ^{+0.000} / _{-0.005}	5.623 ^{+0.000} / _{-0.002}	5.625 ^{+0.004} / _{+0.000}	35.60
U37-4.87-62B	4-7/8	5-5/8	5/8	.688 ^{+0.015} / _{+0.000}	4.875 ^{+0.000} / _{-0.002}	4.877 ^{+0.004} / _{+0.000}	5.625 ^{+0.005} / _{+0.000}	4.875 ^{+0.000} / _{-0.005}	5.623 ^{+0.000} / _{-0.002}	5.625 ^{+0.004} / _{+0.000}	36.63
U37-5.00	5	5-3/4	3/8	.413 ^{+0.015} / _{+0.000}	5.000 ^{+0.000} / _{-0.002}	5.002 ^{+0.004} / _{+0.000}	5.750 ^{+0.005} / _{+0.000}	5.000 ^{+0.000} / _{-0.005}	5.748 ^{+0.000} / _{-0.002}	5.750 ^{+0.004} / _{+0.000}	31.10

STYLE 800 POLYURETHANE U-SEALS

U-SEALS

Part Number	A Nom. ID	B Nom. OD	C Nom. Ht	D GROOVE WIDTH	E ROD DIAMETER	F THROAT DIAMETER	G HOUSING DIAMETER	H GROOVE DIAMETER	I PISTON DIAMETER	J BORE DIAMETER	List Price
U37-5.00-SQB	5	5-3/4	3/8	.413 ⁺⁰¹⁵ / ₊₀₀₀	5.000 ⁺⁰⁰⁰ / _{-.002}	5.002 ⁺⁰⁰⁴ / ₊₀₀₀	5.750 ⁺⁰⁰⁵ / ₊₀₀₀	5.000 ⁺⁰⁰⁰ / _{-.005}	5.748 ⁺⁰⁰⁰ / _{-.002}	5.750 ⁺⁰⁰⁴ / ₊₀₀₀	36.07
U37-5.00-50B	5	5-3/4	1/2	.550 ⁺¹⁰⁰ / ₊₀₀₀	5.000 ⁺⁰⁰² / ₊₀₀₀	5.002 ⁺⁰⁰⁴ / ₊₀₀₀	5.750 ⁺⁰⁰⁵ / ₊₀₀₀	5.000 ⁺⁰⁰⁰ / _{-.005}	5.748 ⁺⁰⁰⁰ / _{-.002}	5.750 ⁺⁰⁰⁴ / ₊₀₀₀	31.06
U37-5.00-62B	5	5-3/4	5/8	.688 ⁺⁰¹⁵ / ₊₀₀₀	5.000 ⁺⁰⁰⁰ / _{-.002}	5.002 ⁺⁰⁰⁴ / ₊₀₀₀	5.750 ⁺⁰⁰⁵ / ₊₀₀₀	5.000 ⁺⁰⁰⁰ / _{-.005}	5.748 ⁺⁰⁰⁰ / _{-.002}	5.750 ⁺⁰⁰⁴ / ₊₀₀₀	38.13
U37-5.25	5-1/4	6	3/8	.413 ⁺⁰¹⁵ / ₊₀₀₀	5.250 ⁺⁰⁰⁰ / _{-.002}	5.252 ⁺⁰⁰⁴ / ₊₀₀₀	6.000 ⁺⁰⁰⁵ / ₊₀₀₀	5.250 ⁺⁰⁰⁰ / _{-.005}	5.998 ⁺⁰⁰⁰ / _{-.002}	6.000 ⁺⁰⁰⁴ / ₊₀₀₀	37.18
U37-5.25-SQB	5-1/4	6	3/8	.413 ⁺⁰¹⁵ / ₊₀₀₀	5.250 ⁺⁰⁰⁰ / _{-.002}	5.252 ⁺⁰⁰⁴ / ₊₀₀₀	6.000 ⁺⁰⁰⁵ / ₊₀₀₀	5.250 ⁺⁰⁰⁰ / _{-.005}	5.998 ⁺⁰⁰⁰ / _{-.002}	6.000 ⁺⁰⁰⁴ / ₊₀₀₀	37.18
U37-5.25-50B	5-1/4	6	1/2	.550 ⁺⁰¹⁵ / ₊₀₀₀	5.250 ⁺⁰⁰⁰ / _{-.002}	5.252 ⁺⁰⁰⁴ / ₊₀₀₀	6.000 ⁺⁰⁰⁵ / ₊₀₀₀	5.250 ⁺⁰⁰⁰ / _{-.005}	5.998 ⁺⁰⁰⁰ / _{-.002}	6.000 ⁺⁰⁰⁴ / ₊₀₀₀	39.73
U37-5.25-50D	5-1/4	6	1/2	.550 ⁺⁰¹⁵ / ₊₀₀₀	5.250 ⁺⁰⁰⁰ / _{-.002}	5.252 ⁺⁰⁰⁴ / ₊₀₀₀	6.000 ⁺⁰⁰⁵ / ₊₀₀₀	5.250 ⁺⁰⁰⁰ / _{-.005}	5.998 ⁺⁰⁰⁰ / _{-.002}	6.000 ⁺⁰⁰⁴ / ₊₀₀₀	39.73
U37-5.25-62B	5-1/4	6	5/8	.688 ⁺⁰¹⁵ / ₊₀₀₀	5.250 ⁺⁰⁰⁰ / _{-.002}	5.252 ⁺⁰⁰⁴ / ₊₀₀₀	6.000 ⁺⁰⁰⁵ / ₊₀₀₀	5.250 ⁺⁰⁰⁰ / _{-.005}	5.998 ⁺⁰⁰⁰ / _{-.002}	6.000 ⁺⁰⁰⁴ / ₊₀₀₀	39.73
U37-5.25-62D	5-1/4	6	5/8	.688 ⁺⁰¹⁵ / ₊₀₀₀	5.250 ⁺⁰⁰⁰ / _{-.002}	5.252 ⁺⁰⁰⁴ / ₊₀₀₀	6.000 ⁺⁰⁰⁵ / ₊₀₀₀	5.250 ⁺⁰⁰⁰ / _{-.005}	5.998 ⁺⁰⁰⁰ / _{-.002}	6.000 ⁺⁰⁰⁴ / ₊₀₀₀	39.73
U37-5.37	5-3/8	6-1/8	3/8	.413 ⁺⁰¹⁵ / ₊₀₀₀	5.375 ⁺⁰⁰⁰ / _{-.002}	5.377 ⁺⁰⁰⁴ / ₊₀₀₀	6.125 ⁺⁰⁰⁵ / ₊₀₀₀	5.375 ⁺⁰⁰⁰ / _{-.005}	6.123 ⁺⁰⁰⁰ / _{-.002}	6.125 ⁺⁰⁰⁴ / ₊₀₀₀	37.62
U37-5.37-62B	5-3/8	6-1/8	5/8	.688 ⁺⁰¹⁵ / ₊₀₀₀	5.375 ⁺⁰⁰⁰ / _{-.002}	5.377 ⁺⁰⁰⁴ / ₊₀₀₀	6.125 ⁺⁰⁰⁵ / ₊₀₀₀	5.375 ⁺⁰⁰⁰ / _{-.005}	6.123 ⁺⁰⁰⁰ / _{-.002}	6.125 ⁺⁰⁰⁴ / ₊₀₀₀	38.25
U37-5.50	5-1/2	6-1/4	3/8	.413 ⁺⁰¹⁵ / ₊₀₀₀	5.500 ⁺⁰⁰⁰ / _{-.002}	5.502 ⁺⁰⁰⁴ / ₊₀₀₀	6.250 ⁺⁰⁰⁵ / ₊₀₀₀	5.500 ⁺⁰⁰⁰ / _{-.005}	6.248 ⁺⁰⁰⁰ / _{-.002}	6.250 ⁺⁰⁰⁴ / ₊₀₀₀	31.11
U37-5.50-SQB	5-1/2	6-1/4	3/8	.413 ⁺⁰¹⁵ / ₊₀₀₀	5.500 ⁺⁰⁰⁰ / _{-.002}	5.502 ⁺⁰⁰⁴ / ₊₀₀₀	6.250 ⁺⁰⁰⁵ / ₊₀₀₀	5.500 ⁺⁰⁰⁰ / _{-.005}	6.248 ⁺⁰⁰⁰ / _{-.002}	6.250 ⁺⁰⁰⁴ / ₊₀₀₀	38.60
U37-5.50-50B	5-1/2	6-1/4	1/2	.550 ⁺⁰¹⁰ / ₊₀₀₀	5.500 ⁺⁰⁰⁰ / _{-.002}	5.502 ⁺⁰⁰⁴ / ₊₀₀₀	6.250 ⁺⁰⁰⁵ / ₊₀₀₀	5.500 ⁺⁰⁰⁰ / _{-.005}	6.248 ⁺⁰⁰⁰ / _{-.002}	6.250 ⁺⁰⁰⁴ / ₊₀₀₀	36.63
U37-5.50-62B	5-1/2	6-1/4	5/8	.688 ⁺⁰¹⁵ / ₊₀₀₀	5.500 ⁺⁰⁰⁰ / _{-.002}	5.502 ⁺⁰⁰⁴ / ₊₀₀₀	6.250 ⁺⁰⁰⁵ / ₊₀₀₀	5.500 ⁺⁰⁰⁰ / _{-.005}	6.248 ⁺⁰⁰⁰ / _{-.002}	6.250 ⁺⁰⁰⁴ / ₊₀₀₀	41.29
U37-5.75	5-3/4	6-1/2	3/8	.413 ⁺⁰¹⁵ / ₊₀₀₀	5.750 ⁺⁰⁰⁰ / _{-.002}	5.752 ⁺⁰⁰⁴ / ₊₀₀₀	6.500 ⁺⁰⁰⁵ / ₊₀₀₀	5.750 ⁺⁰⁰⁰ / _{-.005}	6.498 ⁺⁰⁰⁰ / _{-.002}	6.500 ⁺⁰⁰⁴ / ₊₀₀₀	40.12
U37-5.75-62B	5-3/4	6-1/2	5/8	.688 ⁺⁰¹⁵ / ₊₀₀₀	5.750 ⁺⁰⁰⁰ / _{-.002}	5.752 ⁺⁰⁰⁴ / ₊₀₀₀	6.500 ⁺⁰⁰⁵ / ₊₀₀₀	5.750 ⁺⁰⁰⁰ / _{-.005}	6.498 ⁺⁰⁰⁰ / _{-.002}	6.500 ⁺⁰⁰⁴ / ₊₀₀₀	44.69
U37-5.87	5-7/8	6-5/8	3/8	.413 ⁺⁰¹⁵ / ₊₀₀₀	5.875 ⁺⁰⁰⁰ / _{-.002}	5.877 ⁺⁰⁰⁴ / ₊₀₀₀	6.625 ⁺⁰⁰⁵ / ₊₀₀₀	5.875 ⁺⁰⁰⁰ / _{-.005}	6.623 ⁺⁰⁰⁰ / _{-.002}	6.625 ⁺⁰⁰⁴ / ₊₀₀₀	40.73
U37-5.87-62B	5-7/8	6-5/8	5/8	.688 ⁺⁰¹⁵ / ₊₀₀₀	5.875 ⁺⁰⁰⁰ / _{-.002}	5.877 ⁺⁰⁰⁴ / ₊₀₀₀	6.625 ⁺⁰⁰⁵ / ₊₀₀₀	5.875 ⁺⁰⁰⁰ / _{-.005}	6.623 ⁺⁰⁰⁰ / _{-.002}	6.625 ⁺⁰⁰⁴ / ₊₀₀₀	44.69
U37-6.00-SQB	6	6-3/4	3/8	.413 ⁺⁰¹⁵ / ₊₀₀₀	6.000 ⁺⁰⁰⁰ / _{-.002}	6.002 ⁺⁰⁰⁴ / ₊₀₀₀	6.750 ⁺⁰⁰⁵ / ₊₀₀₀	6.000 ⁺⁰⁰⁰ / _{-.005}	6.748 ⁺⁰⁰⁰ / _{-.002}	6.750 ⁺⁰⁰⁴ / ₊₀₀₀	43.54
U37-6.00-62B	6	6-3/4	5/8	.688 ⁺⁰¹⁵ / ₊₀₀₀	6.000 ⁺⁰⁰⁰ / _{-.002}	6.002 ⁺⁰⁰⁴ / ₊₀₀₀	6.750 ⁺⁰⁰⁵ / ₊₀₀₀	6.000 ⁺⁰⁰⁰ / _{-.005}	6.748 ⁺⁰⁰⁰ / _{-.002}	6.750 ⁺⁰⁰⁴ / ₊₀₀₀	44.17
U37-6.25	6-1/4	7	3/8	.413 ⁺⁰¹⁵ / ₊₀₀₀	6.250 ⁺⁰⁰⁰ / _{-.002}	6.252 ⁺⁰⁰⁴ / ₊₀₀₀	7.000 ⁺⁰⁰⁵ / ₊₀₀₀	6.250 ⁺⁰⁰⁰ / _{-.005}	6.998 ⁺⁰⁰⁰ / _{-.002}	7.000 ⁺⁰⁰⁴ / ₊₀₀₀	44.79
U37-6.25-50D	6-1/4	7	1/2	.550 ⁺⁰¹⁵ / ₊₀₀₀	6.250 ⁺⁰⁰⁰ / _{-.002}	6.252 ⁺⁰⁰⁴ / ₊₀₀₀	7.000 ⁺⁰⁰⁵ / ₊₀₀₀	6.250 ⁺⁰⁰⁰ / _{-.005}	6.998 ⁺⁰⁰⁰ / _{-.002}	7.000 ⁺⁰⁰⁴ / ₊₀₀₀	45.28
U37-6.25-62B	6-1/4	7	5/8	.688 ⁺⁰¹⁵ / ₊₀₀₀	6.250 ⁺⁰⁰⁰ / _{-.002}	6.252 ⁺⁰⁰⁴ / ₊₀₀₀	7.000 ⁺⁰⁰⁵ / ₊₀₀₀	6.250 ⁺⁰⁰⁰ / _{-.005}	6.998 ⁺⁰⁰⁰ / _{-.002}	7.000 ⁺⁰⁰⁴ / ₊₀₀₀	45.28
U37-6.37	6-3/8	7-1/8	3/8	.413 ⁺⁰¹⁵ / ₊₀₀₀	6.375 ⁺⁰⁰⁰ / _{-.002}	6.377 ⁺⁰⁰⁴ / ₊₀₀₀	7.125 ⁺⁰⁰⁵ / ₊₀₀₀	6.375 ⁺⁰⁰⁰ / _{-.005}	7.123 ⁺⁰⁰⁰ / _{-.002}	7.125 ⁺⁰⁰⁴ / ₊₀₀₀	44.79
U37-6.50	6-1/2	7-1/4	3/8	.413 ⁺⁰¹⁵ / ₊₀₀₀	6.500 ⁺⁰⁰⁰ / _{-.002}	6.502 ⁺⁰⁰⁴ / ₊₀₀₀	7.250 ⁺⁰⁰⁵ / ₊₀₀₀	6.500 ⁺⁰⁰⁰ / _{-.005}	7.248 ⁺⁰⁰⁰ / _{-.002}	7.250 ⁺⁰⁰⁴ / ₊₀₀₀	45.79
U37-6.50-50B	6-1/2	7-1/4	1/2	.550 ⁺⁰¹⁵ / ₊₀₀₀	6.500 ⁺⁰⁰⁰ / _{-.002}	6.502 ⁺⁰⁰⁴ / ₊₀₀₀	7.250 ⁺⁰⁰⁵ / ₊₀₀₀	6.500 ⁺⁰⁰⁰ / _{-.005}	7.248 ⁺⁰⁰⁰ / _{-.002}	7.250 ⁺⁰⁰⁴ / ₊₀₀₀	46.84
U37-6.50-62B	6-1/2	7-1/4	5/8	.688 ⁺⁰¹⁵ / ₊₀₀₀	6.500 ⁺⁰⁰⁰ / _{-.002}	6.502 ⁺⁰⁰⁴ / ₊₀₀₀	7.250 ⁺⁰⁰⁵ / ₊₀₀₀	6.500 ⁺⁰⁰⁰ / _{-.005}	7.248 ⁺⁰⁰⁰ / _{-.002}	7.250 ⁺⁰⁰⁴ / ₊₀₀₀	46.84
U37-6.75-62B	6-3/4	7-1/2	5/8	.688 ⁺⁰¹⁵ / ₊₀₀₀	6.750 ⁺⁰⁰⁰ / _{-.002}	6.752 ⁺⁰⁰⁴ / ₊₀₀₀	7.500 ⁺⁰⁰⁵ / ₊₀₀₀	6.750 ⁺⁰⁰⁰ / _{-.005}	7.498 ⁺⁰⁰⁰ / _{-.002}	7.500 ⁺⁰⁰⁴ / ₊₀₀₀	49.78
U37-6.87-62B	6-7/8	7-5/8	5/8	.688 ⁺⁰¹⁵ / ₊₀₀₀	6.875 ⁺⁰⁰⁰ / _{-.002}	6.877 ⁺⁰⁰⁴ / ₊₀₀₀	7.625 ⁺⁰⁰⁵ / ₊₀₀₀	6.875 ⁺⁰⁰⁰ / _{-.005}	7.623 ⁺⁰⁰⁰ / _{-.002}	7.625 ⁺⁰⁰⁴ / ₊₀₀₀	49.28
U37-7.00	7	7-3/4	3/8	.413 ⁺⁰¹⁵ / ₊₀₀₀	7.000 ⁺⁰⁰⁰ / _{-.002}	7.002 ⁺⁰⁰⁴ / ₊₀₀₀	7.750 ⁺⁰⁰⁵ / ₊₀₀₀	7.000 ⁺⁰⁰⁰ / _{-.005}	7.748 ⁺⁰⁰⁰ / _{-.002}	7.750 ⁺⁰⁰⁴ / ₊₀₀₀	47.85
U37-7.00-50B	7	7-3/4	1/2	.550 ⁺⁰¹⁵ / ₊₀₀₀	7.000 ⁺⁰⁰⁰ / _{-.002}	7.002 ⁺⁰⁰⁴ / ₊₀₀₀	7.750 ⁺⁰⁰⁵ / ₊₀₀₀	7.000 ⁺⁰⁰⁰ / _{-.005}	7.748 ⁺⁰⁰⁰ / _{-.002}	7.750 ⁺⁰⁰⁴ / ₊₀₀₀	50.10
U37-7.00-62B	7	7-3/4	5/8	.688 ⁺⁰¹⁵ / ₊₀₀₀	7.000 ⁺⁰⁰⁰ / _{-.002}	7.002 ⁺⁰⁰⁴ / ₊₀₀₀	7.750 ⁺⁰⁰⁵ / ₊₀₀₀	7.000 ⁺⁰⁰⁰ / _{-.005}	7.748 ⁺⁰⁰⁰ / _{-.002}	7.750 ⁺⁰⁰⁴ / ₊₀₀₀	50.10

STYLE 800 POLYURETHANE U-SEALS

U-SEALS

Part Number	A Nom. ID	B Nom. OD	C Nom. Ht	D GROOVE WIDTH	E ROD DIAMETER	F THROAT DIAMETER	G HOUSING DIAMETER	H GROOVE DIAMETER	I PISTON DIAMETER	J BORE DIAMETER	List Price
U37-7.25	7-1/4	8	3/8	.413 +.015 +.000	7.250 +.000 -.002	7.252 +.004 +.000	8.000 +.005 +.000	7.250 +.000 -.005	7.998 +.000 -.002	8.000 +.004 +.000	49.23
U37-7.25-SQB	7-1/4	8	3/8	.413 +.015 +.000	7.250 +.000 -.002	7.252 +.004 +.000	8.000 +.005 +.000	7.250 +.000 -.005	7.998 +.000 -.002	8.000 +.004 +.000	49.23
U37-7.25-50D	7-1/4	8	1/2	.550 +.015 +.000	7.250 +.000 -.002	7.252 +.004 +.000	8.000 +.005 +.000	7.250 +.000 -.005	7.998 +.000 -.002	8.000 +.004 +.000	62.76
U37-7.25-62B	7-1/4	8	5/8	.688 +.015 +.000	7.250 +.000 -.002	7.252 +.004 +.000	8.000 +.005 +.000	7.250 +.000 -.005	7.998 +.000 -.002	8.000 +.004 +.000	54.67
U37-7.50-50B	7-1/2	8-1/4	1/2	.550 +.015 +.000	7.500 +.000 -.002	7.502 +.004 +.000	8.250 +.005 +.000	7.500 +.000 -.005	8.248 +.000 -.002	8.250 +.004 +.000	71.76
U37-7.75	7-3/4	8-1/2	3/8	.413 +.015 +.000	7.750 +.000 -.002	7.752 +.004 +.000	8.500 +.005 +.000	7.750 +.000 -.005	8.498 +.000 -.002	8.500 +.004 +.000	66.54
U37-7.75-62B	7-3/4	8-1/2	5/8	.688 +.015 +.000	7.750 +.000 -.002	7.752 +.004 +.000	8.500 +.005 +.000	7.750 +.000 -.005	8.498 +.000 -.002	8.500 +.004 +.000	57.42
U37-8.00-50D	8	8-3/4	1/2	.550 +.015 +.000	8.000 +.000 -.002	8.002 +.004 +.000	8.750 +.005 +.000	8.000 +.000 -.005	8.748 +.000 -.002	8.750 +.004 +.000	59.08
U37-8.00-62B	8	8-3/4	5/8	.688 +.015 +.000	8.000 +.000 -.002	8.002 +.004 +.000	8.750 +.005 +.000	8.000 +.000 -.005	8.748 +.000 -.002	8.750 +.004 +.000	59.08
U37-8.25	8-1/4	9	3/8	.413 +.015 +.000	8.250 +.000 -.002	8.252 +.004 +.000	9.000 +.005 +.000	8.250 +.000 -.005	8.998 +.000 -.002	9.000 +.004 +.000	55.56
U37-8.25-62B	8-1/4	9	5/8	.688 +.015 +.000	8.250 +.000 -.002	8.252 +.004 +.000	9.000 +.005 +.000	8.250 +.000 -.005	8.998 +.000 -.002	9.000 +.004 +.000	60.86
U37-8.75-62D	8-3/4	9-1/2	5/8	.688 +.015 +.000	8.750 +.000 -.002	8.752 +.004 +.000	9.500 +.005 +.000	8.750 +.000 -.005	9.498 +.000 -.002	9.500 +.004 +.000	60.86
U37-9.00	9	9-3/4	3/8	.413 +.015 +.000	9.000 +.000 -.002	9.002 +.004 +.000	9.750 +.005 +.000	9.000 +.000 -.005	9.748 +.000 -.002	9.750 +.004 +.000	63.65
U37-9.00-62B	9	9-3/4	5/8	.688 +.015 +.000	9.000 +.000 -.002	9.002 +.004 +.000	9.750 +.005 +.000	9.000 +.000 -.005	9.748 +.000 -.002	9.750 +.004 +.000	71.25
U37-9.25	9-1/4	10	3/8	.413 +.015 +.000	9.250 +.000 -.002	9.252 +.004 +.000	10.000 +.005 +.000	9.250 +.000 -.005	9.998 +.000 -.002	10.000 +.004 +.000	58.24
U37-9.25-50D	9-1/4	10	1/2	.550 +.015 +.000	9.250 +.000 -.002	9.252 +.004 +.000	10.000 +.005 +.000	9.250 +.000 -.005	9.998 +.000 -.002	10.000 +.004 +.000	87.50
U37-9.25-62B	9-1/4	10	5/8	.688 +.015 +.000	9.250 +.000 -.002	9.252 +.004 +.000	10.000 +.005 +.000	9.250 +.000 -.005	9.998 +.000 -.002	10.000 +.004 +.000	85.88
U37-9.50	9-1/2	10-1/4	3/8	.413 +.015 +.000	9.500 +.000 -.002	9.502 +.004 +.000	10.250 +.005 +.000	9.500 +.000 -.005	10.248 +.000 -.002	10.250 +.004 +.000	72.83
U37-9.50-62B	9-1/2	10-1/4	5/8	.688 +.015 +.000	9.500 +.000 -.002	9.502 +.004 +.000	10.250 +.005 +.000	9.500 +.000 -.005	10.248 +.000 -.002	10.250 +.004 +.000	91.34
U37-9.75-62B	9-3/4	10-1/2	5/8	.688 +.015 +.000	9.750 +.000 -.002	9.752 +.004 +.000	10.500 +.005 +.000	9.750 +.000 -.005	10.498 +.000 -.002	10.500 +.004 +.000	88.21
U37-10.00	10	10-3/4	3/8	.413 +.015 +.000	10.000 +.000 -.002	10.002 +.004 +.000	10.750 +.005 +.000	10.000 +.000 -.005	10.748 +.000 -.002	10.750 +.004 +.000	170.64
U37-10.00-62B	10	10-3/4	5/8	.688 +.015 +.000	10.000 +.000 -.002	10.002 +.004 +.000	10.750 +.005 +.000	10.000 +.000 -.005	10.748 +.000 -.002	10.750 +.004 +.000	105.60
U37-10.50-62B	10-1/2	11-1/4	5/8	.688 +.015 +.000	10.500 +.000 -.002	10.502 +.004 +.000	11.250 +.005 +.000	10.500 +.000 -.005	11.248 +.000 -.002	11.250 +.004 +.000	131.96
U37-11.00-62B	11	11-3/4	5/8	.688 +.015 +.000	11.000 +.000 -.002	11.002 +.004 +.000	11.750 +.005 +.000	11.000 +.000 -.005	11.748 +.000 -.002	11.750 +.004 +.000	119.36
U37-11.25	11-1/4	12	3/8	.413 +.015 +.000	11.250 +.000 -.002	11.252 +.004 +.000	12.000 +.005 +.000	11.250 +.000 -.005	11.998 +.000 -.002	12.000 +.004 +.000	91.59
U37-11.25-62B	11-1/4	12	5/8	.688 +.015 +.000	11.250 +.000 -.002	11.252 +.004 +.000	12.000 +.005 +.000	11.250 +.000 -.005	11.998 +.000 -.002	12.000 +.004 +.000	123.12
U37-11.25-62D	11-1/4	12	5/8	.688 +.015 +.000	11.250 +.000 -.002	11.252 +.004 +.000	12.000 +.005 +.000	11.250 +.000 -.005	11.998 +.000 -.002	12.000 +.004 +.000	118.06
U37-12.00-62B	12	12-3/4	5/8	.688 +.015 +.000	12.000 +.000 -.002	12.002 +.004 +.000	12.750 +.005 +.000	12.000 +.000 -.005	12.748 +.000 -.002	12.750 +.004 +.000	140.71
U37-12.25	12-1/4	13	3/8	.413 +.015 +.000	12.250 +.000 -.002	12.252 +.004 +.000	13.000 +.005 +.000	12.250 +.000 -.005	12.998 +.000 -.002	13.000 +.004 +.000	108.12
U37-13.25	13-1/4	14	3/8	.413 +.015 +.000	13.250 +.000 -.002	13.252 +.004 +.000	14.000 +.005 +.000	13.250 +.000 -.005	13.998 +.000 -.002	14.000 +.004 +.000	96.57
U37-14.25-62B	14-1/4	15	5/8	.688 +.015 +.000	14.250 +.000 -.002	14.252 +.004 +.000	15.000 +.005 +.000	14.250 +.000 -.005	14.998 +.000 -.002	15.000 +.004 +.000	208.14
7/16" C/S											
U43-1.50	1-1/2	2-3/8	7/16	.482 +.015 +.000	1.500 +.000 -.003	1.502 +.004 +.000	2.375 +.006 +.000	1.500 +.000 -.006	2.373 +.000 -.002	2.375 +.005 +.000	\$ 13.24

STYLE 800 POLYURETHANE U-SEALS

U-SEALS

Part Number	A Nom. ID	B Nom. OD	C Nom. Ht	D GROOVE WIDTH	E ROD DIAMETER	F THROAT DIAMETER	G HOUSING DIAMETER	H GROOVE DIAMETER	I PISTON DIAMETER	J BORE DIAMETER	List Price
U43-2.50	2-1/2	3-3/8	7/16	.482 ^{+0.015} / _{+0.000}	2.500 ^{+0.000} / _{-.003}	2.502 ^{+0.004} / _{+0.000}	3.375 ^{+0.006} / _{+0.000}	2.500 ^{+0.000} / _{-.006}	3.373 ^{+0.000} / _{-.002}	3.375 ^{+0.005} / _{+0.000}	23.37
U43-3.12	3-1/8	4	7/16	.482 ^{+0.015} / _{+0.000}	3.125 ^{+0.000} / _{-.003}	3.127 ^{+0.004} / _{+0.000}	4.000 ^{+0.006} / _{+0.000}	3.125 ^{+0.000} / _{-.006}	3.998 ^{+0.000} / _{-.002}	4.000 ^{+0.005} / _{+0.000}	24.31
U43-3.87-75B	3-7/8	4-3/4	3/4	.825 ^{+0.015} / _{+0.000}	3.875 ^{+0.000} / _{-.003}	3.877 ^{+0.004} / _{+0.000}	4.750 ^{+0.006} / _{+0.000}	3.875 ^{+0.000} / _{-.006}	4.748 ^{+0.000} / _{-.002}	4.750 ^{+0.005} / _{+0.000}	32.11
U43-4.50	4-1/2	5-3/8	7/16	.482 ^{+0.015} / _{+0.000}	4.500 ^{+0.000} / _{-.003}	4.502 ^{+0.004} / _{+0.000}	5.375 ^{+0.006} / _{+0.000}	4.500 ^{+0.000} / _{-.006}	5.373 ^{+0.000} / _{-.002}	5.375 ^{+0.005} / _{+0.000}	33.54
U43-4.75	4-3/4	5-5/8	7/16	.482 ^{+0.015} / _{+0.000}	4.750 ^{+0.000} / _{-.003}	4.752 ^{+0.004} / _{+0.000}	5.625 ^{+0.006} / _{+0.000}	4.750 ^{+0.000} / _{-.006}	5.623 ^{+0.000} / _{-.002}	5.625 ^{+0.005} / _{+0.000}	35.13
U43-4.75-75B	4-3/4	5-5/8	3/4	.825 ^{+0.015} / _{+0.000}	4.750 ^{+0.000} / _{-.003}	4.752 ^{+0.004} / _{+0.000}	5.625 ^{+0.006} / _{+0.000}	4.750 ^{+0.000} / _{-.006}	5.623 ^{+0.000} / _{-.002}	5.625 ^{+0.005} / _{+0.000}	51.23
U43-5.12	5-1/8	6	7/16	.482 ^{+0.015} / _{+0.000}	5.125 ^{+0.000} / _{-.003}	5.127 ^{+0.004} / _{+0.000}	6.000 ^{+0.006} / _{+0.000}	5.125 ^{+0.000} / _{-.006}	5.998 ^{+0.000} / _{-.002}	6.000 ^{+0.005} / _{+0.000}	39.69
U43-5.25	5-1/4	6-1/8	7/16	.482 ^{+0.015} / _{+0.000}	5.250 ^{+0.000} / _{-.003}	5.252 ^{+0.004} / _{+0.000}	6.125 ^{+0.006} / _{+0.000}	5.250 ^{+0.000} / _{-.006}	6.123 ^{+0.000} / _{-.002}	6.125 ^{+0.005} / _{+0.000}	56.54
1/2" C/S											
U50-1.00	1	2	1/2	.550 ^{+0.015} / _{+0.000}	1.000 ^{+0.000} / _{-.003}	1.002 ^{+0.005} / _{+0.000}	2.000 ^{+0.007} / _{+0.000}	1.000 ^{+0.000} / _{-.007}	1.998 ^{+0.000} / _{-.003}	2.000 ^{+0.005} / _{+0.000}	\$13.24
U50-1.25	1-1/4	2-1/4	1/2	.550 ^{+0.015} / _{+0.000}	1.250 ^{+0.000} / _{-.003}	1.252 ^{+0.005} / _{+0.000}	2.250 ^{+0.007} / _{+0.000}	1.250 ^{+0.000} / _{-.007}	2.248 ^{+0.000} / _{-.003}	2.250 ^{+0.005} / _{+0.000}	15.44
U50-1.50	1-1/2	2-1/2	1/2	.550 ^{+0.015} / _{+0.000}	1.500 ^{+0.000} / _{-.003}	1.502 ^{+0.005} / _{+0.000}	2.500 ^{+0.007} / _{+0.000}	1.500 ^{+0.000} / _{-.007}	2.498 ^{+0.000} / _{-.003}	2.500 ^{+0.005} / _{+0.000}	18.09
U50-1.75	1-3/4	2-3/4	1/2	.550 ^{+0.015} / _{+0.000}	1.750 ^{+0.000} / _{-.003}	1.752 ^{+0.005} / _{+0.000}	2.750 ^{+0.007} / _{+0.000}	1.750 ^{+0.000} / _{-.007}	2.748 ^{+0.000} / _{-.003}	2.750 ^{+0.005} / _{+0.000}	20.88
U50-1.87-62B	1-7/8	2-7/8	5/8	.688 ^{+0.015} / _{+0.000}	1.875 ^{+0.000} / _{-.003}	1.877 ^{+0.005} / _{+0.000}	2.875 ^{+0.007} / _{+0.000}	1.875 ^{+0.000} / _{-.007}	2.873 ^{+0.000} / _{-.003}	2.875 ^{+0.005} / _{+0.000}	23.34
U50-2.00	2	3	1/2	.550 ^{+0.015} / _{+0.000}	2.000 ^{+0.000} / _{-.003}	2.002 ^{+0.005} / _{+0.000}	3.000 ^{+0.007} / _{+0.000}	2.000 ^{+0.000} / _{-.007}	2.998 ^{+0.000} / _{-.003}	3.000 ^{+0.005} / _{+0.000}	22.74
U50-2.00-SQB	2	3	1/2	.550 ^{+0.015} / _{+0.000}	2.000 ^{+0.000} / _{-.003}	2.002 ^{+0.005} / _{+0.000}	3.000 ^{+0.007} / _{+0.000}	2.000 ^{+0.000} / _{-.007}	2.998 ^{+0.000} / _{-.003}	3.000 ^{+0.005} / _{+0.000}	22.74
U50-2.00-75B	2	3	3/4	.825 ^{+0.015} / _{+0.000}	2.000 ^{+0.000} / _{-.003}	2.002 ^{+0.005} / _{+0.000}	3.000 ^{+0.007} / _{+0.000}	2.000 ^{+0.000} / _{-.007}	2.998 ^{+0.000} / _{-.003}	3.000 ^{+0.005} / _{+0.000}	24.09
U50-2.25	2-1/4	3-1/4	1/2	.550 ^{+0.015} / _{+0.000}	2.250 ^{+0.000} / _{-.003}	2.252 ^{+0.005} / _{+0.000}	3.250 ^{+0.007} / _{+0.000}	2.250 ^{+0.000} / _{-.007}	3.248 ^{+0.000} / _{-.003}	3.250 ^{+0.005} / _{+0.000}	22.74
U50-2.37-SQB	2-3/8	3-3/8	1/2	.550 ^{+0.015} / _{+0.000}	2.375 ^{+0.000} / _{-.003}	2.377 ^{+0.005} / _{+0.000}	3.375 ^{+0.007} / _{+0.000}	2.375 ^{+0.000} / _{-.007}	3.373 ^{+0.000} / _{-.003}	3.375 ^{+0.005} / _{+0.000}	24.78
U50-2.50	2-1/2	3-1/2	1/2	.550 ^{+0.015} / _{+0.000}	2.500 ^{+0.000} / _{-.003}	2.502 ^{+0.005} / _{+0.000}	3.500 ^{+0.007} / _{+0.000}	2.500 ^{+0.000} / _{-.007}	3.498 ^{+0.000} / _{-.003}	3.500 ^{+0.005} / _{+0.000}	26.19
U50-2.50-75B	2-1/2	3-1/2	3/4	.825 ^{+0.015} / _{+0.000}	2.500 ^{+0.000} / _{-.003}	2.502 ^{+0.005} / _{+0.000}	3.500 ^{+0.007} / _{+0.000}	2.500 ^{+0.000} / _{-.007}	3.498 ^{+0.000} / _{-.003}	3.500 ^{+0.005} / _{+0.000}	30.21
U50-2.75	2-3/4	3-3/4	1/2	.550 ^{+0.015} / _{+0.000}	2.750 ^{+0.000} / _{-.003}	2.752 ^{+0.005} / _{+0.000}	3.750 ^{+0.007} / _{+0.000}	2.750 ^{+0.000} / _{-.007}	3.748 ^{+0.000} / _{-.003}	3.750 ^{+0.005} / _{+0.000}	28.36
U50-3.00	3	4	1/2	.550 ^{+0.015} / _{+0.000}	3.000 ^{+0.000} / _{-.003}	3.002 ^{+0.005} / _{+0.000}	4.000 ^{+0.007} / _{+0.000}	3.000 ^{+0.000} / _{-.007}	3.998 ^{+0.000} / _{-.003}	4.000 ^{+0.005} / _{+0.000}	30.56
U50-3.00-SQB	3	4	1/2	.550 ^{+0.015} / _{+0.000}	3.000 ^{+0.000} / _{-.003}	3.002 ^{+0.005} / _{+0.000}	4.000 ^{+0.007} / _{+0.000}	3.000 ^{+0.000} / _{-.007}	3.998 ^{+0.000} / _{-.003}	4.000 ^{+0.005} / _{+0.000}	30.56
U50-3.00-62B	3	4	5/8	.688 ^{+0.015} / _{+0.000}	3.000 ^{+0.000} / _{-.003}	3.002 ^{+0.005} / _{+0.000}	4.000 ^{+0.007} / _{+0.000}	3.000 ^{+0.000} / _{-.007}	3.998 ^{+0.000} / _{-.003}	4.000 ^{+0.005} / _{+0.000}	35.64
U50-3.00-75B	3	4	3/4	.825 ^{+0.015} / _{+0.000}	3.000 ^{+0.000} / _{-.003}	3.002 ^{+0.005} / _{+0.000}	4.000 ^{+0.007} / _{+0.000}	3.000 ^{+0.000} / _{-.007}	3.998 ^{+0.000} / _{-.003}	4.000 ^{+0.005} / _{+0.000}	40.04
U50-3.00-75D	3	4	3/4	.825 ^{+0.015} / _{+0.000}	3.000 ^{+0.000} / _{-.003}	3.002 ^{+0.005} / _{+0.000}	4.000 ^{+0.007} / _{+0.000}	3.000 ^{+0.000} / _{-.007}	3.998 ^{+0.000} / _{-.003}	4.000 ^{+0.005} / _{+0.000}	45.77
U50-3.25	3-1/4	4-1/4	1/2	.550 ^{+0.015} / _{+0.000}	3.250 ^{+0.000} / _{-.003}	3.252 ^{+0.005} / _{+0.000}	4.250 ^{+0.007} / _{+0.000}	3.250 ^{+0.000} / _{-.007}	4.248 ^{+0.000} / _{-.003}	4.250 ^{+0.005} / _{+0.000}	32.50
U50-3.50	3-1/2	4-1/2	1/2	.550 ^{+0.015} / _{+0.000}	3.500 ^{+0.000} / _{-.003}	3.502 ^{+0.005} / _{+0.000}	4.500 ^{+0.007} / _{+0.000}	3.500 ^{+0.000} / _{-.007}	4.498 ^{+0.000} / _{-.003}	4.500 ^{+0.005} / _{+0.000}	34.62
U50-3.50-75B	3-1/2	4-1/2	3/4	.825 ^{+0.015} / _{+0.000}	3.500 ^{+0.000} / _{-.003}	3.502 ^{+0.005} / _{+0.000}	4.500 ^{+0.007} / _{+0.000}	3.500 ^{+0.000} / _{-.007}	4.498 ^{+0.000} / _{-.003}	4.500 ^{+0.005} / _{+0.000}	38.51
U50-3.50-75D	3-1/2	4-1/2	3/4	.825 ^{+0.015} / _{+0.000}	3.500 ^{+0.000} / _{-.003}	3.502 ^{+0.005} / _{+0.000}	4.500 ^{+0.007} / _{+0.000}	3.500 ^{+0.000} / _{-.007}	4.498 ^{+0.000} / _{-.003}	4.500 ^{+0.005} / _{+0.000}	38.51
U50-3.62	3-5/8	4-5/8	1/2	.550 ^{+0.015} / _{+0.000}	3.625 ^{+0.000} / _{-.003}	3.627 ^{+0.005} / _{+0.000}	4.625 ^{+0.007} / _{+0.000}	3.625 ^{+0.000} / _{-.007}	4.623 ^{+0.000} / _{-.003}	4.625 ^{+0.005} / _{+0.000}	33.51
U50-3.75	3-3/4	4-3/4	1/2	.550 ^{+0.015} / _{+0.000}	3.750 ^{+0.000} / _{-.003}	3.752 ^{+0.005} / _{+0.000}	4.750 ^{+0.007} / _{+0.000}	3.750 ^{+0.000} / _{-.007}	4.748 ^{+0.000} / _{-.003}	4.750 ^{+0.005} / _{+0.000}	36.03

STYLE 800 POLYURETHANE U-SEALS

U-SEALS

Part Number	A Nom. ID	B Nom. OD	C Nom. Ht	D GROOVE WIDTH	E ROD DIAMETER	F THROAT DIAMETER	G HOUSING DIAMETER	H GROOVE DIAMETER	I PISTON DIAMETER	J BORE DIAMETER	List Price
U50-4.00	4	5	1/2	.550 +.015 +0.000	4.000 +.000 -.003	4.002 +.005 +0.000	5.000 +.007 +0.000	4.000 +.000 -.007	4.998 +.000 -.003	5.000 +.005 +0.000	36.76
U50-4.00-67D	4	5	43/64	.740 +.015 +0.000	4.000 +.000 -.003	4.002 +.005 +0.000	5.000 +.007 +0.000	4.000 +.000 -.007	4.998 +.000 -.003	5.000 +.005 +0.000	46.23
U50-4.00-75B	4	5	3/4	.825 +.015 +0.000	4.000 +.000 -.003	4.002 +.005 +0.000	5.000 +.007 +0.000	4.000 +.000 -.007	4.998 +.000 -.003	5.000 +.005 +0.000	39.92
U50-4.25	4-1/4	5-1/4	1/2	.550 +.015 +0.000	4.250 +.000 -.003	4.252 +.005 +0.000	5.250 +.007 +0.000	4.250 +.000 -.007	5.248 +.000 -.003	5.250 +.005 +0.000	40.53
U50-4.25-75B	4-1/4	5-1/4	3/4	.825 +.015 +0.000	4.250 +.000 -.003	4.252 +.005 +0.000	5.250 +.007 +0.000	4.250 +.000 -.007	5.248 +.000 -.003	5.250 +.005 +0.000	43.82
U50-4.50	4-1/2	5-1/2	1/2	.550 +.015 +0.000	4.500 +.000 -.003	4.502 +.005 +0.000	5.500 +.007 +0.000	4.500 +.000 -.007	5.498 +.000 -.003	5.500 +.005 +0.000	42.79
U50-4.50-75B	4-1/2	5-1/2	3/4	.825 +.015 +0.000	4.500 +.000 -.003	4.502 +.005 +0.000	5.500 +.007 +0.000	4.500 +.000 -.007	5.498 +.000 -.003	5.500 +.005 +0.000	47.19
U50-4.50-75D	4-1/2	5-1/2	3/4	.825 +.015 +0.000	4.500 +.000 -.003	4.502 +.005 +0.000	5.500 +.007 +0.000	4.500 +.000 -.007	5.498 +.000 -.003	5.500 +.005 +0.000	47.19
U50-4.75	4-3/4	5-3/4	1/2	.550 +.015 +0.000	4.750 +.000 -.003	4.752 +.005 +0.000	5.750 +.007 +0.000	4.750 +.000 -.007	5.748 +.000 -.003	5.750 +.005 +0.000	44.74
U50-4.75-69B	4-3/4	5-3/4	.69	.759 +.015 +0.000	4.750 +.000 -.003	4.752 +.005 +0.000	5.750 +.007 +0.000	4.750 +.000 -.007	5.748 +.000 -.003	5.750 +.005 +0.000	49.52
U50-5.00	5	6	1/2	.550 +.015 +0.000	5.000 +.000 -.003	5.002 +.005 +0.000	6.000 +.007 +0.000	5.000 +.000 -.007	5.998 +.000 -.003	6.000 +.005 +0.000	54.43
U50-5.00-SQB	5	6	1/2	.550 +.015 +0.000	5.000 +.000 -.003	5.002 +.005 +0.000	6.000 +.007 +0.000	5.000 +.000 -.007	5.998 +.000 -.003	6.000 +.005 +0.000	44.87
U50-5.00-75B	5	6	3/4	.825 +.015 +0.000	5.000 +.000 -.003	5.002 +.005 +0.000	6.000 +.007 +0.000	5.000 +.000 -.007	5.998 +.000 -.003	6.000 +.005 +0.000	49.89
U50-5.00-75D	5	6	3/4	.825 +.015 +0.000	5.000 +.000 -.003	5.002 +.005 +0.000	6.000 +.007 +0.000	5.000 +.000 -.007	5.998 +.000 -.003	6.000 +.005 +0.000	49.89
U50-5.25	5-1/4	6-1/4	1/2	.550 +.015 +0.000	5.250 +.000 -.003	5.252 +.005 +0.000	6.250 +.007 +0.000	5.250 +.000 -.007	6.248 +.000 -.003	6.250 +.005 +0.000	48.92
U50-5.25-75B	5-1/4	6-1/4	3/4	.825 +.015 +0.000	5.250 +.000 -.003	5.252 +.005 +0.000	6.250 +.007 +0.000	5.250 +.000 -.007	6.248 +.000 -.003	6.250 +.005 +0.000	69.34
U50-5.37-75B	5-3/8	6-3/8	3/4	.825 +.015 +0.000	5.375 +.000 -.003	5.377 +.005 +0.000	6.375 +.007 +0.000	5.375 +.000 -.007	6.373 +.000 -.003	6.375 +.005 +0.000	62.12
U50-5.50	5-1/2	6-1/2	1/2	.550 +.015 +0.000	5.500 +.000 -.003	5.502 +.005 +0.000	6.500 +.007 +0.000	5.500 +.000 -.007	6.498 +.000 -.003	6.500 +.005 +0.000	49.68
U50-5.50-75B	5-1/2	6-1/2	3/4	.825 +.015 +0.000	5.500 +.000 -.003	5.502 +.005 +0.000	6.500 +.007 +0.000	5.500 +.000 -.007	6.498 +.000 -.003	6.500 +.005 +0.000	52.67
U50-5.50-75D	5-1/2	6-1/2	3/4	.825 +.015 +0.000	5.500 +.000 -.003	5.502 +.005 +0.000	6.500 +.007 +0.000	5.500 +.000 -.007	6.498 +.000 -.003	6.500 +.005 +0.000	52.67
U50-5.75	5-3/4	6-3/4	1/2	.550 +.015 +0.000	5.750 +.000 -.003	5.752 +.005 +0.000	6.750 +.007 +0.000	5.750 +.000 -.007	6.748 +.000 -.003	6.750 +.005 +0.000	51.14
U50-5.75-75B	5-3/4	6-3/4	3/4	.825 +.015 +0.000	5.750 +.000 -.003	5.752 +.005 +0.000	6.750 +.007 +0.000	5.750 +.000 -.007	6.748 +.000 -.003	6.750 +.005 +0.000	67.39
U50-6.00-SQB	6	7	1/2	.550 +.015 +0.000	6.000 +.000 -.003	6.002 +.005 +0.000	7.000 +.007 +0.000	6.000 +.000 -.007	6.998 +.000 -.003	7.000 +.005 +0.000	53.54
U50-6.00-75B	6	7	3/4	.825 +.015 +0.000	6.000 +.000 -.003	6.002 +.005 +0.000	7.000 +.007 +0.000	6.000 +.000 -.007	6.998 +.000 -.003	7.000 +.005 +0.000	56.97
U50-6.00-75D	6	7	3/4	.825 +.015 +0.000	6.000 +.000 -.003	6.002 +.005 +0.000	7.000 +.007 +0.000	6.000 +.000 -.007	6.998 +.000 -.003	7.000 +.005 +0.000	56.97
U50-6.25	6-1/4	7-1/4	1/2	.550 +.015 +0.000	6.250 +.000 -.003	6.252 +.005 +0.000	7.250 +.007 +0.000	6.250 +.000 -.007	7.248 +.000 -.003	7.250 +.005 +0.000	54.84
U50-6.50	6-1/2	7-1/2	1/2	.550 +.015 +0.000	6.500 +.000 -.003	6.502 +.005 +0.000	7.500 +.007 +0.000	6.500 +.000 -.007	7.498 +.000 -.003	7.500 +.005 +0.000	55.22
U50-6.50-75B	6-1/2	7-1/2	3/4	.825 +.015 +0.000	6.500 +.000 -.003	6.502 +.005 +0.000	7.500 +.007 +0.000	6.500 +.000 -.007	7.498 +.000 -.003	7.500 +.005 +0.000	55.61
U50-6.75-75B	6-3/4	7-3/4	3/4	.825 +.015 +0.000	6.750 +.000 -.003	6.752 +.005 +0.000	7.750 +.007 +0.000	6.750 +.000 -.007	7.748 +.000 -.003	7.750 +.005 +0.000	55.61
U50-7.00	7	8	1/2	.550 +.015 +0.000	7.000 +.000 -.003	7.002 +.005 +0.000	8.000 +.007 +0.000	7.000 +.000 -.007	7.998 +.000 -.003	8.000 +.005 +0.000	57.34
U50-7.00-75B	7	8	3/4	.825 +.015 +0.000	7.000 +.000 -.003	7.002 +.005 +0.000	8.000 +.007 +0.000	7.000 +.000 -.007	7.998 +.000 -.003	8.000 +.005 +0.000	59.60
U50-7.25	7-1/4	8-1/4	1/2	.550 +.015 +0.000	7.250 +.000 -.003	7.252 +.005 +0.000	8.250 +.007 +0.000	7.250 +.000 -.007	8.248 +.000 -.003	8.250 +.005 +0.000	63.88
U50-7.50	7-1/2	8-1/2	1/2	.550 +.015 +0.000	7.500 +.000 -.003	7.502 +.005 +0.000	8.500 +.007 +0.000	7.500 +.000 -.007	8.498 +.000 -.003	8.500 +.005 +0.000	64.02

STYLE 800 POLYURETHANE U-SEALS

U-SEALS

Part Number	A Nom. ID	B Nom. OD	C Nom. Ht	D GROOVE WIDTH	E ROD DIAMETER	F THROAT DIAMETER	G HOUSING DIAMETER	H GROOVE DIAMETER	I PISTON DIAMETER	J BORE DIAMETER	List Price
U50-7.50-75D	7-1/2	8-1/2	3/4	.825 ⁺⁰¹⁵ / ₊₀₀₀	7.500 ⁺⁰⁰⁰ / ₋₀₀₃	7.502 ⁺⁰⁰⁵ / ₊₀₀₀	8.500 ⁺⁰⁰⁷ / ₊₀₀₀	7.500 ⁺⁰⁰⁰ / ₋₀₀₇	8.498 ⁺⁰⁰⁰ / ₋₀₀₃	8.500 ⁺⁰⁰⁵ / ₊₀₀₀	65.92
U50-8.00	8	9	1/2	.550 ⁺⁰¹⁵ / ₊₀₀₀	8.000 ⁺⁰⁰⁰ / ₋₀₀₃	8.002 ⁺⁰⁰⁵ / ₊₀₀₀	9.000 ⁺⁰⁰⁷ / ₊₀₀₀	8.000 ⁺⁰⁰⁰ / ₋₀₀₇	8.998 ⁺⁰⁰⁰ / ₋₀₀₃	9.000 ⁺⁰⁰⁵ / ₊₀₀₀	65.92
U50-8.00-75B	8	9	3/4	.825 ⁺⁰¹⁵ / ₊₀₀₀	8.000 ⁺⁰⁰⁰ / ₋₀₀₃	8.002 ⁺⁰⁰⁵ / ₊₀₀₀	9.000 ⁺⁰⁰⁷ / ₊₀₀₀	8.000 ⁺⁰⁰⁰ / ₋₀₀₇	8.998 ⁺⁰⁰⁰ / ₋₀₀₃	9.000 ⁺⁰⁰⁵ / ₊₀₀₀	67.79
U50-8.00-75D	8	9	3/4	.825 ⁺⁰¹⁵ / ₊₀₀₀	8.000 ⁺⁰⁰⁰ / ₋₀₀₃	8.002 ⁺⁰⁰⁵ / ₊₀₀₀	9.000 ⁺⁰⁰⁷ / ₊₀₀₀	8.000 ⁺⁰⁰⁰ / ₋₀₀₇	8.998 ⁺⁰⁰⁰ / ₋₀₀₃	9.000 ⁺⁰⁰⁵ / ₊₀₀₀	67.79
U50-8.50	8-1/2	9-1/2	1/2	.550 ⁺⁰¹⁵ / ₊₀₀₀	8.500 ⁺⁰⁰⁰ / ₋₀₀₃	8.502 ⁺⁰⁰⁵ / ₊₀₀₀	9.500 ⁺⁰⁰⁷ / ₊₀₀₀	8.500 ⁺⁰⁰⁰ / ₋₀₀₇	9.498 ⁺⁰⁰⁰ / ₋₀₀₃	9.500 ⁺⁰⁰⁵ / ₊₀₀₀	68.44
U50-8.50-75B	8-1/2	9-1/2	3/4	.825 ⁺⁰¹⁵ / ₊₀₀₀	8.500 ⁺⁰⁰⁰ / ₋₀₀₃	8.502 ⁺⁰⁰⁵ / ₊₀₀₀	9.500 ⁺⁰⁰⁷ / ₊₀₀₀	8.500 ⁺⁰⁰⁰ / ₋₀₀₇	9.498 ⁺⁰⁰⁰ / ₋₀₀₃	9.500 ⁺⁰⁰⁵ / ₊₀₀₀	75.87
U50-8.75	8-3/4	9-3/4	1/2	.550 ⁺⁰¹⁵ / ₊₀₀₀	8.750 ⁺⁰⁰⁰ / ₋₀₀₃	8.752 ⁺⁰⁰⁵ / ₊₀₀₀	9.750 ⁺⁰⁰⁷ / ₊₀₀₀	8.750 ⁺⁰⁰⁰ / ₋₀₀₇	9.748 ⁺⁰⁰⁰ / ₋₀₀₃	9.750 ⁺⁰⁰⁵ / ₊₀₀₀	97.48
U50-9.00	9	10	1/2	.550 ⁺⁰¹⁵ / ₊₀₀₀	9.000 ⁺⁰⁰⁰ / ₋₀₀₃	9.002 ⁺⁰⁰⁵ / ₊₀₀₀	10.000 ⁺⁰⁰⁷ / ₊₀₀₀	9.000 ⁺⁰⁰⁰ / ₋₀₀₇	9.998 ⁺⁰⁰⁰ / ₋₀₀₃	10.000 ⁺⁰⁰⁵ / ₊₀₀₀	68.72
U50-9.00N	9	10	1/2	.550 ⁺⁰¹⁵ / ₊₀₀₀	9.000 ⁺⁰⁰⁰ / ₋₀₀₃	9.002 ⁺⁰⁰⁵ / ₊₀₀₀	10.000 ⁺⁰⁰⁷ / ₊₀₀₀	9.000 ⁺⁰⁰⁰ / ₋₀₀₇	9.998 ⁺⁰⁰⁰ / ₋₀₀₃	10.000 ⁺⁰⁰⁵ / ₊₀₀₀	168.98
U50-9.00-75B	9	10	3/4	.825 ⁺⁰¹⁵ / ₊₀₀₀	9.000 ⁺⁰⁰⁰ / ₋₀₀₃	9.002 ⁺⁰⁰⁵ / ₊₀₀₀	10.000 ⁺⁰⁰⁷ / ₊₀₀₀	9.000 ⁺⁰⁰⁰ / ₋₀₀₇	9.998 ⁺⁰⁰⁰ / ₋₀₀₃	10.000 ⁺⁰⁰⁵ / ₊₀₀₀	79.35
U50-9.25-75B	9-1/4	10-1/4	3/4	.825 ⁺⁰¹⁵ / ₊₀₀₀	9.250 ⁺⁰⁰⁰ / ₋₀₀₃	9.252 ⁺⁰⁰⁵ / ₊₀₀₀	10.250 ⁺⁰⁰⁷ / ₊₀₀₀	9.250 ⁺⁰⁰⁰ / ₋₀₀₇	10.248 ⁺⁰⁰⁰ / ₋₀₀₃	10.250 ⁺⁰⁰⁵ / ₊₀₀₀	80.84
U50-9.50	9-1/2	10-1/2	1/2	.550 ⁺⁰¹⁵ / ₊₀₀₀	9.500 ⁺⁰⁰⁰ / ₋₀₀₃	9.502 ⁺⁰⁰⁵ / ₊₀₀₀	10.500 ⁺⁰⁰⁷ / ₊₀₀₀	9.500 ⁺⁰⁰⁰ / ₋₀₀₇	10.498 ⁺⁰⁰⁰ / ₋₀₀₃	10.500 ⁺⁰⁰⁵ / ₊₀₀₀	80.84
U50-10.00	10	11	1/2	.550 ⁺⁰¹⁵ / ₊₀₀₀	10.000 ⁺⁰⁰⁰ / ₋₀₀₃	10.002 ⁺⁰⁰⁵ / ₊₀₀₀	11.000 ⁺⁰⁰⁷ / ₊₀₀₀	10.000 ⁺⁰⁰⁰ / ₋₀₀₇	10.998 ⁺⁰⁰⁰ / ₋₀₀₃	11.000 ⁺⁰⁰⁵ / ₊₀₀₀	90.10
U50-10.00-75B	10	11	3/4	.825 ⁺⁰¹⁵ / ₊₀₀₀	10.000 ⁺⁰⁰⁰ / ₋₀₀₃	10.002 ⁺⁰⁰⁵ / ₊₀₀₀	11.000 ⁺⁰⁰⁷ / ₊₀₀₀	10.000 ⁺⁰⁰⁰ / ₋₀₀₇	10.998 ⁺⁰⁰⁰ / ₋₀₀₃	11.000 ⁺⁰⁰⁵ / ₊₀₀₀	117.99
U50-10.00-75D	10	11	3/4	.825 ⁺⁰¹⁵ / ₊₀₀₀	10.000 ⁺⁰⁰⁰ / ₋₀₀₃	10.002 ⁺⁰⁰⁵ / ₊₀₀₀	11.000 ⁺⁰⁰⁷ / ₊₀₀₀	10.000 ⁺⁰⁰⁰ / ₋₀₀₇	10.998 ⁺⁰⁰⁰ / ₋₀₀₃	11.000 ⁺⁰⁰⁵ / ₊₀₀₀	125.88
U50-10.50	10-1/2	11-1/2	1/2	.550 ⁺⁰¹⁵ / ₊₀₀₀	10.500 ⁺⁰⁰⁰ / ₋₀₀₃	10.502 ⁺⁰⁰⁵ / ₊₀₀₀	11.500 ⁺⁰⁰⁷ / ₊₀₀₀	10.500 ⁺⁰⁰⁰ / ₋₀₀₇	11.498 ⁺⁰⁰⁰ / ₋₀₀₃	11.500 ⁺⁰⁰⁵ / ₊₀₀₀	87.12
U50-10.62-75B	10-5/8	11-5/8	3/4	.825 ⁺⁰¹⁵ / ₊₀₀₀	10.625 ⁺⁰⁰⁰ / ₋₀₀₃	10.627 ⁺⁰⁰⁵ / ₊₀₀₀	11.625 ⁺⁰⁰⁷ / ₊₀₀₀	10.625 ⁺⁰⁰⁰ / ₋₀₀₇	11.623 ⁺⁰⁰⁰ / ₋₀₀₃	11.625 ⁺⁰⁰⁵ / ₊₀₀₀	129.66
U50-10.75	10-3/4	11-3/4	1/2	.550 ⁺⁰¹⁵ / ₊₀₀₀	10.750 ⁺⁰⁰⁰ / ₋₀₀₃	10.752 ⁺⁰⁰⁵ / ₊₀₀₀	11.750 ⁺⁰⁰⁷ / ₊₀₀₀	10.750 ⁺⁰⁰⁰ / ₋₀₀₅	11.748 ⁺⁰⁰⁰ / ₋₀₀₃	11.750 ⁺⁰⁰⁷ / ₊₀₀₀	87.71
U50-11.00	11	12	1/2	.550 ⁺⁰¹⁵ / ₊₀₀₀	11.000 ⁺⁰⁰⁰ / ₋₀₀₃	11.002 ⁺⁰⁰⁵ / ₊₀₀₀	12.000 ⁺⁰⁰⁷ / ₊₀₀₀	11.000 ⁺⁰⁰⁰ / ₋₀₀₇	11.998 ⁺⁰⁰⁰ / ₋₀₀₃	12.000 ⁺⁰⁰⁵ / ₊₀₀₀	89.16
U50-11.00-75B	11	12	3/4	.825 ⁺⁰¹⁵ / ₊₀₀₀	11.000 ⁺⁰⁰⁰ / ₋₀₀₃	11.002 ⁺⁰⁰⁵ / ₊₀₀₀	12.000 ⁺⁰⁰⁷ / ₊₀₀₀	11.000 ⁺⁰⁰⁰ / ₋₀₀₇	11.998 ⁺⁰⁰⁰ / ₋₀₀₃	12.000 ⁺⁰⁰⁵ / ₊₀₀₀	142.25
U50-11.50-75D	11-1/2	12-1/2	3/4	.825 ⁺⁰¹⁵ / ₊₀₀₀	11.500 ⁺⁰⁰⁰ / ₋₀₀₃	11.502 ⁺⁰⁰⁵ / ₊₀₀₀	12.500 ⁺⁰⁰⁷ / ₊₀₀₀	11.500 ⁺⁰⁰⁰ / ₋₀₀₇	12.498 ⁺⁰⁰⁰ / ₋₀₀₃	12.500 ⁺⁰⁰⁵ / ₊₀₀₀	162.58
U50-12.00	12	13	1/2	.550 ⁺⁰¹⁵ / ₊₀₀₀	12.000 ⁺⁰⁰⁰ / ₋₀₀₃	12.002 ⁺⁰⁰⁵ / ₊₀₀₀	13.000 ⁺⁰⁰⁷ / ₊₀₀₀	12.000 ⁺⁰⁰⁰ / ₋₀₀₇	12.998 ⁺⁰⁰⁰ / ₋₀₀₃	13.000 ⁺⁰⁰⁵ / ₊₀₀₀	120.58
U50-12.00-75B	12	13	3/4	.825 ⁺⁰¹⁵ / ₊₀₀₀	12.000 ⁺⁰⁰⁰ / ₋₀₀₃	12.002 ⁺⁰⁰⁵ / ₊₀₀₀	13.000 ⁺⁰⁰⁷ / ₊₀₀₀	12.000 ⁺⁰⁰⁰ / ₋₀₀₇	12.998 ⁺⁰⁰⁰ / ₋₀₀₃	13.000 ⁺⁰⁰⁵ / ₊₀₀₀	159.86
U50-13.00	13	14	1/2	.550 ⁺⁰¹⁵ / ₊₀₀₀	13.000 ⁺⁰⁰⁰ / ₋₀₀₃	13.002 ⁺⁰⁰⁵ / ₊₀₀₀	14.000 ⁺⁰⁰⁷ / ₊₀₀₀	13.000 ⁺⁰⁰⁰ / ₋₀₀₇	13.998 ⁺⁰⁰⁰ / ₋₀₀₃	14.000 ⁺⁰⁰⁵ / ₊₀₀₀	121.56
U50-13.00-75B	13	14	3/4	.825 ⁺⁰¹⁵ / ₊₀₀₀	13.000 ⁺⁰⁰⁰ / ₋₀₀₃	13.002 ⁺⁰⁰⁵ / ₊₀₀₀	14.000 ⁺⁰⁰⁷ / ₊₀₀₀	13.000 ⁺⁰⁰⁰ / ₋₀₀₇	13.998 ⁺⁰⁰⁰ / ₋₀₀₃	14.000 ⁺⁰⁰⁵ / ₊₀₀₀	195.41
U50-13.50-75D	13-1/2	14-1/2	3/4	.825 ⁺⁰¹⁵ / ₊₀₀₀	13.500 ⁺⁰⁰⁰ / ₋₀₀₃	13.502 ⁺⁰⁰⁵ / ₊₀₀₀	14.500 ⁺⁰⁰⁷ / ₊₀₀₀	13.500 ⁺⁰⁰⁰ / ₋₀₀₇	14.498 ⁺⁰⁰⁰ / ₋₀₀₃	14.500 ⁺⁰⁰⁵ / ₊₀₀₀	256.45
U50-14.00-75B	14	15	3/4	.825 ⁺⁰¹⁵ / ₊₀₀₀	14.000 ⁺⁰⁰⁰ / ₋₀₀₃	14.002 ⁺⁰⁰⁵ / ₊₀₀₀	15.000 ⁺⁰⁰⁷ / ₊₀₀₀	14.000 ⁺⁰⁰⁰ / ₋₀₀₇	14.998 ⁺⁰⁰⁰ / ₋₀₀₃	15.000 ⁺⁰⁰⁵ / ₊₀₀₀	260.43
U50-15.00	15	16	1/2	.550 ⁺⁰¹⁵ / ₊₀₀₀	15.000 ⁺⁰⁰⁰ / ₋₀₀₃	15.002 ⁺⁰⁰⁵ / ₊₀₀₀	16.000 ⁺⁰⁰⁷ / ₊₀₀₀	15.000 ⁺⁰⁰⁰ / ₋₀₀₇	15.998 ⁺⁰⁰⁰ / ₋₀₀₃	16.000 ⁺⁰⁰⁵ / ₊₀₀₀	153.67
U50-15.00-75B	15	16	3/4	.825 ⁺⁰¹⁵ / ₊₀₀₀	15.000 ⁺⁰⁰⁰ / ₋₀₀₃	15.002 ⁺⁰⁰⁵ / ₊₀₀₀	16.000 ⁺⁰⁰⁷ / ₊₀₀₀	15.000 ⁺⁰⁰⁰ / ₋₀₀₇	15.998 ⁺⁰⁰⁰ / ₋₀₀₃	16.000 ⁺⁰⁰⁵ / ₊₀₀₀	262.07
U50-15.50-75D	15-1/2	16-1/2	3/4	.825 ⁺⁰¹⁵ / ₊₀₀₀	15.500 ⁺⁰⁰⁰ / ₋₀₀₃	15.502 ⁺⁰⁰⁵ / ₊₀₀₀	16.500 ⁺⁰⁰⁷ / ₊₀₀₀	15.500 ⁺⁰⁰⁰ / ₋₀₀₇	16.498 ⁺⁰⁰⁰ / ₋₀₀₃	16.500 ⁺⁰⁰⁵ / ₊₀₀₀	275.94
U50-17.00-75B	17	18	3/4	.825 ⁺⁰¹⁵ / ₊₀₀₀	17.000 ⁺⁰⁰⁰ / ₋₀₀₃	17.002 ⁺⁰⁰⁵ / ₊₀₀₀	18.000 ⁺⁰⁰⁷ / ₊₀₀₀	17.000 ⁺⁰⁰⁰ / ₋₀₀₇	17.998 ⁺⁰⁰⁰ / ₋₀₀₃	18.000 ⁺⁰⁰⁵ / ₊₀₀₀	287.90
5/8" C/S											
U62-1.25	1-1/4	2-1/2	5/8	.688 ⁺⁰¹⁵ / ₊₀₀₀	1.250 ⁺⁰⁰⁰ / ₋₀₀₃	1.252 ⁺⁰⁰⁶ / ₊₀₀₀	2.500 ⁺⁰⁰⁹ / ₊₀₀₀	1.250 ⁺⁰⁰⁰ / ₋₀₀₉	2.498 ⁺⁰⁰⁰ / ₋₀₀₃	2.500 ⁺⁰⁰⁶ / ₊₀₀₀	\$21.22

FORMERLY LISTED REPAIR PARTS ARE AVAILABLE ONLINE AT WWW.HERCULESUS.COM
OR BY CONTACTING YOUR REGIONAL HERCULES SALES TEAM.

STYLE 800 POLYURETHANE U-SEALS

U-SEALS

Part Number	A Nom. ID	B Nom. OD	C Nom. Ht	D GROOVE WIDTH	E ROD DIAMETER	F THROAT DIAMETER	G HOUSING DIAMETER	H GROOVE DIAMETER	I PISTON DIAMETER	J BORE DIAMETER	List Price
U62-1.75	1-3/4	3	5/8	.688 ⁺⁰¹⁵ / ₊₀₀₀	1.750 ⁺⁰⁰⁰ / ₋₀₀₃	1.752 ⁺⁰⁰⁶ / ₊₀₀₀	3.000 ⁺⁰⁰⁹ / ₊₀₀₀	1.750 ⁺⁰⁰⁰ / ₋₀₀₉	2.998 ⁺⁰⁰⁰ / ₋₀₀₃	3.000 ⁺⁰⁰⁶ / ₊₀₀₀	30.05
U62-2.75	2-3/4	4	5/8	.688 ⁺⁰¹⁵ / ₊₀₀₀	2.750 ⁺⁰⁰⁰ / ₋₀₀₃	2.752 ⁺⁰⁰⁶ / ₊₀₀₀	4.000 ⁺⁰⁰⁹ / ₊₀₀₀	2.750 ⁺⁰⁰⁰ / ₋₀₀₉	3.998 ⁺⁰⁰⁰ / ₋₀₀₃	4.000 ⁺⁰⁰⁶ / ₊₀₀₀	34.16
U62-3.00	3	4-1/4	5/8	.688 ⁺⁰¹⁵ / ₊₀₀₀	3.000 ⁺⁰⁰⁰ / ₋₀₀₃	3.002 ⁺⁰⁰⁶ / ₊₀₀₀	4.250 ⁺⁰⁰⁹ / ₊₀₀₀	3.000 ⁺⁰⁰⁰ / ₋₀₀₉	4.248 ⁺⁰⁰⁰ / ₋₀₀₃	4.250 ⁺⁰⁰⁶ / ₊₀₀₀	35.06
U62-3.25	3-1/4	4-1/2	5/8	.688 ⁺⁰¹⁵ / ₊₀₀₀	3.250 ⁺⁰⁰⁰ / ₋₀₀₃	3.252 ⁺⁰⁰⁶ / ₊₀₀₀	4.500 ⁺⁰⁰⁹ / ₊₀₀₀	3.250 ⁺⁰⁰⁰ / ₋₀₀₉	4.498 ⁺⁰⁰⁰ / ₋₀₀₃	4.500 ⁺⁰⁰⁶ / ₊₀₀₀	39.63
U62-3.50	3-1/2	4-3/4	5/8	.688 ⁺⁰¹⁵ / ₊₀₀₀	3.500 ⁺⁰⁰⁰ / ₋₀₀₃	3.502 ⁺⁰⁰⁶ / ₊₀₀₀	4.750 ⁺⁰⁰⁹ / ₊₀₀₀	3.500 ⁺⁰⁰⁰ / ₋₀₀₉	4.748 ⁺⁰⁰⁰ / ₋₀₀₃	4.750 ⁺⁰⁰⁶ / ₊₀₀₀	42.70
U62-3.75	3-3/4	5	5/8	.688 ⁺⁰¹⁵ / ₊₀₀₀	3.750 ⁺⁰⁰⁰ / ₋₀₀₃	3.752 ⁺⁰⁰⁶ / ₊₀₀₀	5.000 ⁺⁰⁰⁹ / ₊₀₀₀	3.750 ⁺⁰⁰⁰ / ₋₀₀₉	4.998 ⁺⁰⁰⁰ / ₋₀₀₃	5.000 ⁺⁰⁰⁶ / ₊₀₀₀	43.40
U62-4.00	4	5-1/4	5/8	.688 ⁺⁰¹⁵ / ₊₀₀₀	4.000 ⁺⁰⁰⁰ / ₋₀₀₃	4.002 ⁺⁰⁰⁶ / ₊₀₀₀	5.250 ⁺⁰⁰⁹ / ₊₀₀₀	4.000 ⁺⁰⁰⁰ / ₋₀₀₉	5.248 ⁺⁰⁰⁰ / ₋₀₀₃	5.250 ⁺⁰⁰⁶ / ₊₀₀₀	47.85
U62-4.25	4-1/4	5-1/2	5/8	.688 ⁺⁰¹⁵ / ₊₀₀₀	4.250 ⁺⁰⁰⁰ / ₋₀₀₃	4.252 ⁺⁰⁰⁶ / ₊₀₀₀	5.500 ⁺⁰⁰⁹ / ₊₀₀₀	4.250 ⁺⁰⁰⁰ / ₋₀₀₉	5.498 ⁺⁰⁰⁰ / ₋₀₀₃	5.500 ⁺⁰⁰⁶ / ₊₀₀₀	49.96
U62-4.75	4-3/4	6	5/8	.688 ⁺⁰¹⁵ / ₊₀₀₀	4.750 ⁺⁰⁰⁰ / ₋₀₀₃	4.752 ⁺⁰⁰⁶ / ₊₀₀₀	6.000 ⁺⁰⁰⁹ / ₊₀₀₀	4.750 ⁺⁰⁰⁰ / ₋₀₀₉	5.998 ⁺⁰⁰⁰ / ₋₀₀₃	6.000 ⁺⁰⁰⁶ / ₊₀₀₀	55.77
U62-4.75-75D	4-3/4	6	3/4	.825 ⁺⁰¹⁵ / ₊₀₀₀	4.750 ⁺⁰⁰⁰ / ₋₀₀₃	4.752 ⁺⁰⁰⁶ / ₊₀₀₀	6.000 ⁺⁰⁰⁹ / ₊₀₀₀	4.750 ⁺⁰⁰⁰ / ₋₀₀₉	5.998 ⁺⁰⁰⁰ / ₋₀₀₃	6.000 ⁺⁰⁰⁶ / ₊₀₀₀	61.40
U62-5.00	5	6-1/4	5/8	.688 ⁺⁰¹⁵ / ₊₀₀₀	5.000 ⁺⁰⁰⁰ / ₋₀₀₃	5.002 ⁺⁰⁰⁶ / ₊₀₀₀	6.250 ⁺⁰⁰⁹ / ₊₀₀₀	5.000 ⁺⁰⁰⁰ / ₋₀₀₉	6.248 ⁺⁰⁰⁰ / ₋₀₀₃	6.250 ⁺⁰⁰⁶ / ₊₀₀₀	61.69
U62-5.25	5-1/4	6-1/2	5/8	.688 ⁺⁰¹⁵ / ₊₀₀₀	5.250 ⁺⁰⁰⁰ / ₋₀₀₃	5.252 ⁺⁰⁰⁶ / ₊₀₀₀	6.500 ⁺⁰⁰⁹ / ₊₀₀₀	5.250 ⁺⁰⁰⁰ / ₋₀₀₉	6.498 ⁺⁰⁰⁰ / ₋₀₀₃	6.500 ⁺⁰⁰⁶ / ₊₀₀₀	62.06
U62-5.50	5-1/2	6-3/4	5/8	.688 ⁺⁰¹⁵ / ₊₀₀₀	5.500 ⁺⁰⁰⁰ / ₋₀₀₃	5.502 ⁺⁰⁰⁶ / ₊₀₀₀	6.750 ⁺⁰⁰⁹ / ₊₀₀₀	5.500 ⁺⁰⁰⁰ / ₋₀₀₉	6.748 ⁺⁰⁰⁰ / ₋₀₀₃	6.750 ⁺⁰⁰⁶ / ₊₀₀₀	71.57
U62-5.75	5-3/4	7	5/8	.688 ⁺⁰¹⁵ / ₊₀₀₀	5.750 ⁺⁰⁰⁰ / ₋₀₀₃	5.752 ⁺⁰⁰⁶ / ₊₀₀₀	7.000 ⁺⁰⁰⁹ / ₊₀₀₀	5.750 ⁺⁰⁰⁰ / ₋₀₀₉	6.998 ⁺⁰⁰⁰ / ₋₀₀₃	7.000 ⁺⁰⁰⁶ / ₊₀₀₀	67.14
U62-6.00	6	7-1/4	5/8	.688 ⁺⁰¹⁵ / ₊₀₀₀	6.000 ⁺⁰⁰⁰ / ₋₀₀₃	6.002 ⁺⁰⁰⁶ / ₊₀₀₀	7.250 ⁺⁰⁰⁹ / ₊₀₀₀	6.000 ⁺⁰⁰⁰ / ₋₀₀₉	7.248 ⁺⁰⁰⁰ / ₋₀₀₃	7.250 ⁺⁰⁰⁶ / ₊₀₀₀	73.26
U62-6.25	6-1/4	7-1/2	5/8	.688 ⁺⁰¹⁵ / ₊₀₀₀	6.250 ⁺⁰⁰⁰ / ₋₀₀₃	6.252 ⁺⁰⁰⁶ / ₊₀₀₀	7.500 ⁺⁰⁰⁹ / ₊₀₀₀	6.250 ⁺⁰⁰⁰ / ₋₀₀₉	7.498 ⁺⁰⁰⁰ / ₋₀₀₃	7.500 ⁺⁰⁰⁶ / ₊₀₀₀	74.67
U62-7.00-100B	7	8-1/4	1	1.100 ⁺⁰¹⁵ / ₊₀₀₀	7.000 ⁺⁰⁰⁰ / ₋₀₀₃	7.002 ⁺⁰⁰⁶ / ₊₀₀₀	8.250 ⁺⁰⁰⁹ / ₊₀₀₀	7.000 ⁺⁰⁰⁰ / ₋₀₀₉	8.248 ⁺⁰⁰⁰ / ₋₀₀₃	8.250 ⁺⁰⁰⁶ / ₊₀₀₀	87.47
U62-7.25	7-1/4	8-1/2	5/8	.688 ⁺⁰¹⁵ / ₊₀₀₀	7.250 ⁺⁰⁰⁰ / ₋₀₀₃	7.252 ⁺⁰⁰⁶ / ₊₀₀₀	8.500 ⁺⁰⁰⁹ / ₊₀₀₀	7.250 ⁺⁰⁰⁰ / ₋₀₀₉	8.498 ⁺⁰⁰⁰ / ₋₀₀₃	8.500 ⁺⁰⁰⁶ / ₊₀₀₀	83.37
U62-8.00	8	9-1/4	5/8	.688 ⁺⁰¹⁵ / ₊₀₀₀	8.000 ⁺⁰⁰⁰ / ₋₀₀₃	8.002 ⁺⁰⁰⁶ / ₊₀₀₀	9.250 ⁺⁰⁰⁹ / ₊₀₀₀	8.000 ⁺⁰⁰⁰ / ₋₀₀₉	9.248 ⁺⁰⁰⁰ / ₋₀₀₃	9.250 ⁺⁰⁰⁶ / ₊₀₀₀	89.78
U62-8.50	8-1/2	9-3/4	5/8	.688 ⁺⁰¹⁵ / ₊₀₀₀	8.500 ⁺⁰⁰⁰ / ₋₀₀₃	8.502 ⁺⁰⁰⁶ / ₊₀₀₀	9.750 ⁺⁰⁰⁹ / ₊₀₀₀	8.500 ⁺⁰⁰⁰ / ₋₀₀₉	9.748 ⁺⁰⁰⁰ / ₋₀₀₃	9.750 ⁺⁰⁰⁶ / ₊₀₀₀	102.05
U62-8.75	8-3/4	10	5/8	.688 ⁺⁰¹⁵ / ₊₀₀₀	8.750 ⁺⁰⁰⁰ / ₋₀₀₃	8.752 ⁺⁰⁰⁶ / ₊₀₀₀	10.000 ⁺⁰⁰⁹ / ₊₀₀₀	8.750 ⁺⁰⁰⁰ / ₋₀₀₉	9.998 ⁺⁰⁰⁰ / ₋₀₀₃	10.000 ⁺⁰⁰⁶ / ₊₀₀₀	108.23
U62-9.00	9	10-1/4	5/8	.688 ⁺⁰¹⁵ / ₊₀₀₀	9.000 ⁺⁰⁰⁰ / ₋₀₀₃	9.002 ⁺⁰⁰⁶ / ₊₀₀₀	10.250 ⁺⁰⁰⁹ / ₊₀₀₀	9.000 ⁺⁰⁰⁰ / ₋₀₀₉	10.248 ⁺⁰⁰⁰ / ₋₀₀₃	10.250 ⁺⁰⁰⁶ / ₊₀₀₀	114.68
U62-9.50	9-1/2	10-3/4	5/8	.688 ⁺⁰¹⁵ / ₊₀₀₀	9.500 ⁺⁰⁰⁰ / ₋₀₀₃	9.502 ⁺⁰⁰⁶ / ₊₀₀₀	10.750 ⁺⁰⁰⁹ / ₊₀₀₀	9.500 ⁺⁰⁰⁰ / ₋₀₀₉	10.748 ⁺⁰⁰⁰ / ₋₀₀₃	10.750 ⁺⁰⁰⁶ / ₊₀₀₀	140.70
U62-9.75	9-3/4	11	5/8	.688 ⁺⁰¹⁵ / ₊₀₀₀	9.750 ⁺⁰⁰⁰ / ₋₀₀₃	9.752 ⁺⁰⁰⁶ / ₊₀₀₀	11.000 ⁺⁰⁰⁹ / ₊₀₀₀	9.750 ⁺⁰⁰⁰ / ₋₀₀₉	10.998 ⁺⁰⁰⁰ / ₋₀₀₃	11.000 ⁺⁰⁰⁶ / ₊₀₀₀	121.09
U62-10.00-100B	10	11-1/4	1	1.100 ⁺⁰¹⁵ / ₊₀₀₀	10.000 ⁺⁰⁰⁰ / ₋₀₀₃	10.002 ⁺⁰⁰⁶ / ₊₀₀₀	11.250 ⁺⁰⁰⁹ / ₊₀₀₀	10.000 ⁺⁰⁰⁰ / ₋₀₀₉	11.248 ⁺⁰⁰⁰ / ₋₀₀₃	11.250 ⁺⁰⁰⁶ / ₊₀₀₀	160.46
U62-12.00	12	13-1/4	5/8	.688 ⁺⁰¹⁵ / ₊₀₀₀	12.000 ⁺⁰⁰⁰ / ₋₀₀₃	12.002 ⁺⁰⁰⁶ / ₊₀₀₀	13.250 ⁺⁰⁰⁹ / ₊₀₀₀	12.000 ⁺⁰⁰⁰ / ₋₀₀₉	13.248 ⁺⁰⁰⁰ / ₋₀₀₃	13.250 ⁺⁰⁰⁶ / ₊₀₀₀	158.51
U62-14.00-100D	14	15-1/4	1	1.100 ⁺⁰¹⁵ / ₊₀₀₀	14.000 ⁺⁰⁰⁰ / ₋₀₀₃	14.002 ⁺⁰⁰⁶ / ₊₀₀₀	15.250 ⁺⁰⁰⁹ / ₊₀₀₀	14.000 ⁺⁰⁰⁰ / ₋₀₀₉	15.248 ⁺⁰⁰⁰ / ₋₀₀₃	15.250 ⁺⁰⁰⁶ / ₊₀₀₀	304.56
U62-14.75-100B	14-3/4	16	1	1.100 ⁺⁰¹⁵ / ₊₀₀₀	14.750 ⁺⁰⁰⁰ / ₋₀₀₃	14.752 ⁺⁰⁰⁶ / ₊₀₀₀	16.000 ⁺⁰⁰⁹ / ₊₀₀₀	14.750 ⁺⁰⁰⁰ / ₋₀₀₉	15.998 ⁺⁰⁰⁰ / ₋₀₀₃	16.000 ⁺⁰⁰⁶ / ₊₀₀₀	328.24
3/4" C/S											
U75-3.50-SQB	3-1/2	5	3/4	.825 ⁺⁰¹⁵ / ₊₀₀₀	3.500 ⁺⁰⁰⁰ / ₋₀₀₄	3.502 ⁺⁰⁰⁷ / ₊₀₀₀	5.000 ⁺⁰¹¹ / ₊₀₀₀	3.500 ⁺⁰⁰⁰ / ₋₀₁₀	4.998 ⁺⁰⁰⁰ / ₋₀₀₄	5.000 ⁺⁰⁰⁷ / ₊₀₀₀	\$58.39
U75-4.50	4-1/2	6	3/4	.825 ⁺⁰¹⁵ / ₊₀₀₀	4.500 ⁺⁰⁰⁰ / ₋₀₀₄	4.502 ⁺⁰⁰⁷ / ₊₀₀₀	6.000 ⁺⁰¹¹ / ₊₀₀₀	4.500 ⁺⁰⁰⁰ / ₋₀₁₀	5.998 ⁺⁰⁰⁰ / ₋₀₀₄	6.000 ⁺⁰⁰⁷ / ₊₀₀₀	63.92
U75-6.00	6	7-1/2	3/4	.825 ⁺⁰¹⁵ / ₊₀₀₀	6.000 ⁺⁰⁰⁰ / ₋₀₀₄	6.002 ⁺⁰⁰⁷ / ₊₀₀₀	7.500 ⁺⁰¹¹ / ₊₀₀₀	6.000 ⁺⁰⁰⁰ / ₋₀₁₀	7.498 ⁺⁰⁰⁰ / ₋₀₀₄	7.500 ⁺⁰⁰⁷ / ₊₀₀₀	75.05
U75-6.50	6-1/2	8	3/4	.825 ⁺⁰¹⁵ / ₊₀₀₀	6.500 ⁺⁰⁰⁰ / ₋₀₀₄	6.502 ⁺⁰⁰⁷ / ₊₀₀₀	8.000 ⁺⁰¹¹ / ₊₀₀₀	6.500 ⁺⁰⁰⁰ / ₋₀₁₀	7.998 ⁺⁰⁰⁰ / ₋₀₀₄	8.000 ⁺⁰⁰⁷ / ₊₀₀₀	82.55

STYLE 800 POLYURETHANE U-SEALS

U-SEALS

Part Number	A Nom. ID	B Nom. OD	C Nom. Ht	D GROOVE WIDTH	E ROD DIAMETER	F THROAT DIAMETER	G HOUSING DIAMETER	H GROOVE DIAMETER	I PISTON DIAMETER	J BORE DIAMETER	List Price
U75-7.00	7	8-1/2	3/4	.825 +0.015 +0.000	7.000 +0.000 -0.004	7.002 +0.007 +0.000	8.500 +0.011 +0.000	7.000 +0.000 -0.010	8.498 +0.000 -0.004	8.500 +0.007 +0.000	89.11
U75-8.00	8	9-1/2	3/4	.825 +0.015 +0.000	8.000 +0.000 -0.004	8.002 +0.007 +0.000	9.500 +0.011 +0.000	8.000 +0.000 -0.010	9.498 +0.000 -0.004	9.500 +0.007 +0.000	102.76
U75-9.50	9-1/2	11	3/4	.825 +0.015 +0.000	9.500 +0.000 -0.004	9.502 +0.007 +0.000	11.000 +0.011 +0.000	9.500 +0.000 -0.010	10.998 +0.000 -0.004	11.000 +0.007 +0.000	135.37
U75-10.00	10	11-1/2	3/4	.825 +0.015 +0.000	10.000 +0.000 -0.004	10.002 +0.006 +0.000	11.500 +0.011 +0.000	10.000 +0.000 -0.010	11.498 +0.000 -0.003	11.500 +0.007 +0.000	164.83
U75-10.50	10-1/2	12	3/4	.825 +0.015 +0.000	10.500 +0.000 -0.004	10.502 +0.006 +0.000	12.000 +0.011 +0.000	10.500 +0.000 -0.010	11.998 +0.000 -0.003	12.000 +0.007 +0.000	143.62
U75-11.00	11	12-1/2	3/4	.825 +0.015 +0.000	11.000 +0.000 -0.004	11.002 +0.006 +0.000	12.500 +0.011 +0.000	11.000 +0.000 -0.010	12.498 +0.000 -0.003	12.500 +0.007 +0.000	157.26
U75-12.50	12-1/2	14	3/4	.825 +0.015 +0.000	12.500 +0.000 -0.004	12.502 +0.006 +0.000	14.000 +0.011 +0.000	12.500 +0.000 -0.010	13.998 +0.000 -0.003	14.000 +0.007 +0.000	197.66
U75-14.00	14	15-1/2	3/4	.825 +0.015 +0.000	14.000 +0.000 -0.004	14.002 +0.006 +0.000	15.500 +0.011 +0.000	14.000 +0.000 -0.010	15.498 +0.000 -0.003	15.500 +0.007 +0.000	238.09
U75-14.50	14-1/2	16	3/4	.825 +0.015 +0.000	14.500 +0.000 -0.004	14.501 +0.006 +0.000	16.000 +0.011 +0.000	14.500 +0.000 -0.010	15.999 +0.000 -0.003	16.000 +0.007 +0.000	262.33
1" C/S											
U100-10.00	10	12	1	1.100 +0.015 +0.000	10.000 +0.000 -0.005	10.002 +0.007 +0.000	12.000 +0.015 +0.000	10.000 +0.000 -0.012	11.998 +0.000 -0.004	12.000 +0.009 +0.000	\$240.02
U100-12.00-150D	12	14	1-1/2	1.650 +0.015 +0.000	12.000 +0.000 -0.005	12.002 +0.007 +0.000	14.000 +0.015 +0.000	12.000 +0.000 -0.012	13.998 +0.000 -0.004	14.000 +0.009 +0.000	469.36
U100-16.00	16	18	1	1.100 +0.015 +0.000	16.000 +0.000 -0.005	16.002 +0.007 +0.000	18.000 +0.015 +0.000	16.000 +0.000 -0.012	17.998 +0.000 -0.004	18.000 +0.009 +0.000	514.58
U100-18.00	18	20	1	1.100 +0.015 +0.000	18.000 +0.000 -0.005	18.002 +0.007 +0.000	20.000 +0.015 +0.000	18.000 +0.000 -0.012	19.998 +0.000 -0.004	20.000 +0.009 +0.000	568.39

Seal color may vary. Special order sizes are available. Sizes not shown and out of stock items can also be ordered for next day delivery through Seals On Demand, our custom seal program. Please call your regional sales team for assistance.