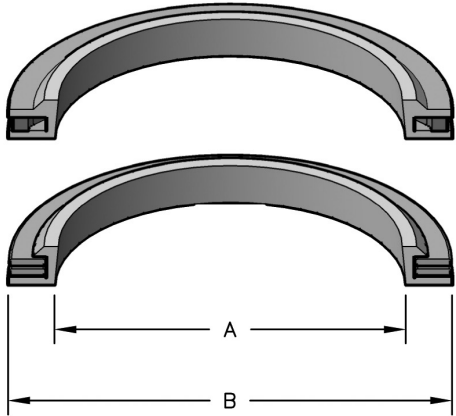


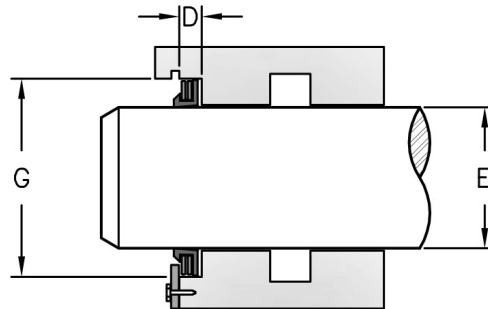
# STYLE AN-M2 BRASS WIPER RINGS

Style AN-M2 scrapers conform to MS28776-M2 sizes and are manufactured in brass. The scrapers are suitable for extreme environments with aggressive contaminants. The unique spring-loaded construction and ductile material result in close rod contact even when coping with rod ovality and helix grinding patterns.



## HERCULES PART NUMBERS

**AN - 03 - M2**  
 Prefix      Size



SEAL INFORMATION	
MATERIAL	BRASS
TEMPERATURE RANGE	-30° TO +300° F

WIPER RINGS

Part Number	A Nom. ID	B Nom. OD	C Nom. Ht	D GROOVE WIDTH	E ROD DIAMETER	G HOUSING DIAMETER	List Price
AN-03-M2	5/8	7/8	7/64	.104	.625	.885	\$19.24
AN-05-M2	3/4	1	7/64	.104	.750	1.010	19.32
AN-09-M2	1	1-7/32	7/64	.104	1.000	1.272	21.15
AN-13-M2	1-1/4	1-15/32	7/64	.104	1.250	1.522	23.63
AN-15-M2	1-3/8	1-21/32	7/64	.104	1.375	1.677	27.49
AN-17-M2	1-1/2	1-25/32	7/64	.104	1.500	1.802	28.08
AN-19-M2	1-3/4	2-1/32	7/64	.104	1.750	2.052	28.38
AN-21-M2	2	2-9/32	7/64	.104	2.000	2.302	32.03
AN-23-M2	2-1/4	2-17/32	7/64	.104	2.250	2.552	32.60
AN-25-M2	2-1/2	2-25/32	7/64	.104	2.500	2.802	39.57
AN-27-M2	2-3/4	3-3/32	1/8	.119	2.750	3.114	44.17
AN-29-M2	3	3-11/32	1/8	.119	3.000	3.364	48.28
AN-33-M2	3-1/2	3-27/32	1/8	.119	3.500	3.864	55.40
AN-37-M2	4	4-13/32	9/64	.135	4.000	4.427	71.91
AN-41-M2	4-1/2	4-29/32	9/64	.135	4.500	4.927	74.91
AN-45-M2	5	5-13/32	9/64	.135	5.000	5.427	84.47