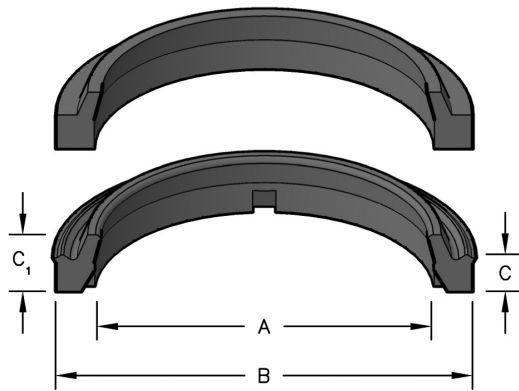


STYLE ST URETHANE WIPER RINGS

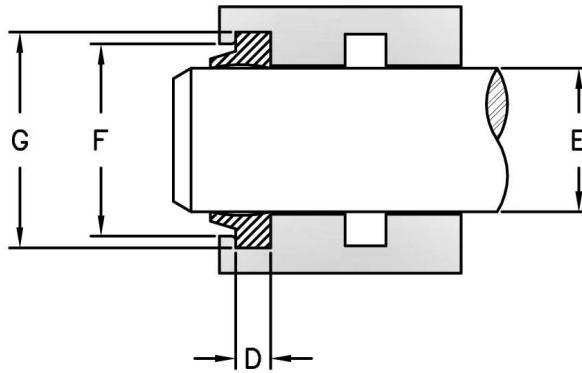
Style ST wiper rings are precision molded from 90A durometer urethane. Flexible enough to easily snap into a groove yet tough enough to handle difficult rod wiping applications. "V" tagged wipers are constructed of fluorocarbon.



HERCULES PART NUMBERS

ST - 25
Prefix Size

SEAL INFORMATION	
MATERIAL	URETHANE / FLUOROCARBON
TEMPERATURE RANGE	URETHANE: -40° TO +200° F FLUOROCARBON: -20° TO +400° F
SPEED	3 FT/SEC



Part Number	A Nom. ID	B Nom. OD	C Nom. Ht	C ₁ OVERALL HEIGHT	D GROOVE WIDTH	E ROD DIAMETER	F THROAT DIAMETER	G HOUSING DIAMETER	List Price
ST-25	1/4	1/2	1/8	.210	.124 ^{+0.004} / _{-0.000}	.250 ^{-0.0005} / _{-0.0019}	.410 ^{+0.010} / _{+0.000}	.497 ^{+0.006} / _{+0.000}	\$2.90
ST-31	5/16	9/16	1/8	.210	.124 ^{+0.004} / _{+0.000}	.313 ^{-0.0005} / _{-0.0019}	.475 ^{+0.010} / _{+0.000}	.560 ^{+0.006} / _{+0.000}	2.90
ST-37	3/8	5/8	1/8	.210	.124 ^{+0.004} / _{+0.000}	.375 ^{-0.0005} / _{-0.0019}	.535 ^{+0.010} / _{+0.000}	.622 ^{+0.006} / _{+0.000}	2.90
ST-43	7/16	11/16	1/8	.210	.124 ^{+0.004} / _{+0.000}	.438 ^{-0.0006} / _{-0.0023}	.600 ^{+0.010} / _{+0.000}	.685 ^{+0.006} / _{+0.000}	2.86
ST-50	1/2	3/4	1/8	.210	.124 ^{+0.004} / _{+0.000}	.500 ^{-0.0006} / _{-0.0023}	.660 ^{+0.010} / _{+0.000}	.747 ^{+0.006} / _{+0.000}	3.28
ST-56	9/16	13/16	1/8	.210	.124 ^{+0.004} / _{+0.000}	.563 ^{-0.0006} / _{-0.0023}	.725 ^{+0.010} / _{+0.000}	.810 ^{+0.006} / _{+0.000}	3.28
ST-62	5/8	7/8	1/8	.210	.124 ^{+0.004} / _{+0.000}	.625 ^{-0.0006} / _{-0.0023}	.785 ^{+0.010} / _{+0.000}	.872 ^{+0.006} / _{+0.000}	3.28
ST-62V	5/8	7/8	1/8	.210	.124 ^{+0.004} / _{+0.000}	.625 ^{-0.0006} / _{-0.0023}	.785 ^{+0.010} / _{+0.000}	.872 ^{+0.006} / _{+0.000}	11.77
ST-75	3/4	1-1/8	3/16	.305	.187 ^{+0.004} / _{+0.000}	.750 ^{-0.0008} / _{-0.0028}	.995 ^{+0.010} / _{+0.000}	1.122 ^{+0.006} / _{+0.000}	3.28
ST-81	13/16	1-3/16	3/16	.305	.187 ^{+0.004} / _{+0.000}	.813 ^{-0.0008} / _{-0.0028}	1.060 ^{+0.010} / _{+0.000}	1.185 ^{+0.006} / _{+0.000}	3.28
ST-87	7/8	1-1/4	3/16	.305	.187 ^{+0.004} / _{+0.000}	.875 ^{-0.0008} / _{-0.0028}	1.120 ^{+0.010} / _{+0.000}	1.247 ^{+0.006} / _{+0.000}	3.28
ST-93	15/16	1-5/16	3/16	.305	.187 ^{+0.004} / _{+0.000}	.938 ^{-0.0008} / _{-0.0028}	1.185 ^{+0.010} / _{+0.000}	1.310 ^{+0.006} / _{+0.000}	2.98
ST-100	1	1-3/8	3/16	.305	.187 ^{+0.004} / _{+0.000}	1.000 ^{-0.0008} / _{-0.0028}	1.245 ^{+0.010} / _{+0.000}	1.372 ^{+0.006} / _{+0.000}	3.28
ST-100V	1	1-3/8	3/16	.305	.187 ^{+0.004} / _{+0.000}	1.000 ^{-0.0008} / _{-0.0028}	1.245 ^{+0.010} / _{+0.000}	1.372 ^{+0.006} / _{+0.000}	13.73

STYLE ST URETHANE WIPER RINGS

WIPER RINGS

Part Number	A Nom. ID	B Nom. OD	C Nom. Ht	C ₁ OVERALL HEIGHT	D GROOVE WIDTH	E ROD DIAMETER	F THROAT DIAMETER	G HOUSING DIAMETER	List Price
ST-110	1.075	1.507	3/16	.305	.187 ^{+0.04} / _{+0.00}	1.075 ^{-0.008} / _{-0.0028}	1.305 ^{+0.010} / _{+0.00}	1.504 ^{+0.006} / _{+0.00}	3.28
ST-112	1-1/8	1-1/2	3/16	.305	.187 ^{+0.04} / _{+0.00}	1.125 ^{-0.008} / _{-0.0028}	1.370 ^{+0.010} / _{+0.00}	1.497 ^{+0.006} / _{+0.00}	3.28
ST-112V	1-1/8	1-1/2	3/16	.305	.187 ^{+0.04} / _{+0.00}	1.125 ^{-0.008} / _{-0.0028}	1.370 ^{+0.010} / _{+0.00}	1.497 ^{+0.006} / _{+0.00}	15.73
ST-118	1-3/16	1-9/16	3/16	.305	.187 ^{+0.04} / _{+0.00}	1.188 ^{-0.010} / _{-0.0034}	1.435 ^{+0.010} / _{+0.00}	1.560 ^{+0.006} / _{+0.00}	3.33
ST-125	1-1/4	1-5/8	3/16	.305	.187 ^{+0.04} / _{+0.00}	1.250 ^{-0.010} / _{-0.0034}	1.495 ^{+0.010} / _{+0.00}	1.622 ^{+0.006} / _{+0.00}	3.58
ST-125V	1-1/4	1-5/8	3/16	.305	.187 ^{+0.04} / _{+0.00}	1.250 ^{-0.010} / _{-0.0034}	1.495 ^{+0.010} / _{+0.00}	1.622 ^{+0.006} / _{+0.00}	18.04
ST-131	1-5/16	1-11/16	3/16	.305	.187 ^{+0.04} / _{+0.00}	1.313 ^{-0.010} / _{-0.0034}	1.560 ^{+0.010} / _{+0.00}	1.685 ^{+0.006} / _{+0.00}	3.72
ST-137	1-3/8	1-3/4	3/16	.305	.187 ^{+0.04} / _{+0.00}	1.375 ^{-0.010} / _{-0.0034}	1.620 ^{+0.010} / _{+0.00}	1.747 ^{+0.006} / _{+0.00}	3.81
ST-137V	1-3/8	1-3/4	3/16	.305	.187 ^{+0.04} / _{+0.00}	1.375 ^{-0.010} / _{-0.0034}	1.620 ^{+0.010} / _{+0.00}	1.747 ^{+0.006} / _{+0.00}	16.93
ST-143	1-7/16	1-13/16	3/16	.305	.187 ^{+0.04} / _{+0.00}	1.438 ^{-0.010} / _{-0.0034}	1.685 ^{+0.010} / _{+0.00}	1.810 ^{+0.006} / _{+0.00}	13.29
ST-150	1-1/2	1-7/8	3/16	.305	.187 ^{+0.04} / _{+0.00}	1.500 ^{-0.010} / _{-0.0034}	1.745 ^{+0.010} / _{+0.00}	1.872 ^{+0.006} / _{+0.00}	4.19
ST-150V	1-1/2	1-7/8	3/16	.305	.187 ^{+0.04} / _{+0.00}	1.500 ^{-0.010} / _{-0.0034}	1.745 ^{+0.010} / _{+0.00}	1.872 ^{+0.006} / _{+0.00}	18.98
ST-156	1-9/16	1-15/16	3/16	.305	.187 ^{+0.04} / _{+0.00}	1.563 ^{-0.010} / _{-0.0034}	1.810 ^{+0.010} / _{+0.00}	1.935 ^{+0.006} / _{+0.00}	4.20
ST-162	1-5/8	2	3/16	.305	.187 ^{+0.04} / _{+0.00}	1.625 ^{-0.010} / _{-0.0034}	1.870 ^{+0.010} / _{+0.00}	1.997 ^{+0.006} / _{+0.00}	4.32
ST-175	1-3/4	2-1/8	3/16	.305	.187 ^{+0.04} / _{+0.00}	1.750 ^{-0.010} / _{-0.0034}	1.995 ^{+0.010} / _{+0.00}	2.122 ^{+0.006} / _{+0.00}	4.69
ST-175V	1-3/4	2-1/8	3/16	.305	.187 ^{+0.04} / _{+0.00}	1.750 ^{-0.010} / _{-0.0034}	1.995 ^{+0.010} / _{+0.00}	2.122 ^{+0.006} / _{+0.00}	19.13
ST-187	1-7/8	2-1/4	3/16	.305	.187 ^{+0.04} / _{+0.00}	1.875 ^{-0.010} / _{-0.0034}	2.120 ^{+0.010} / _{+0.00}	2.247 ^{+0.006} / _{+0.00}	4.86
ST-193	1-15/16	2-5/16	3/16	.305	.187 ^{+0.04} / _{+0.00}	1.938 ^{-0.010} / _{-0.0034}	2.185 ^{+0.010} / _{+0.00}	2.310 ^{+0.006} / _{+0.00}	5.05
ST-200	2	2-1/2	1/4	.395	.249 ^{+0.04} / _{+0.00}	2.000 ^{-0.012} / _{-0.0041}	2.327 ^{+0.010} / _{+0.00}	2.497 ^{+0.006} / _{+0.00}	4.92
ST-200V	2	2-1/2	1/4	.395	.249 ^{+0.04} / _{+0.00}	2.000 ^{-0.012} / _{-0.0041}	2.327 ^{+0.010} / _{+0.00}	2.497 ^{+0.006} / _{+0.00}	23.84
ST-212A	2-1/8	2-1/2	3/16	.305	.187 ^{+0.04} / _{+0.00}	2.125 ^{-0.012} / _{-0.0041}	2.452 ^{+0.010} / _{+0.00}	2.312 ±.005	13.90
ST-212	2-1/8	2-5/8	1/4	.395	.249 ^{+0.04} / _{+0.00}	2.125 ^{-0.012} / _{-0.0041}	2.452 ^{+0.010} / _{+0.00}	2.622 ^{+0.006} / _{+0.00}	5.09
ST-225	2-1/4	2-3/4	1/4	.395	.249 ^{+0.04} / _{+0.00}	2.250 ^{-0.012} / _{-0.0041}	2.577 ^{+0.010} / _{+0.00}	2.747 ^{+0.006} / _{+0.00}	5.20
ST-237	2-3/8	2-7/8	1/4	.395	.249 ^{+0.04} / _{+0.00}	2.375 ^{-0.012} / _{-0.0041}	2.702 ^{+0.010} / _{+0.00}	2.872 ^{+0.006} / _{+0.00}	5.45
ST-250	2-1/2	3	1/4	.395	.249 ^{+0.04} / _{+0.00}	2.500 ^{-0.012} / _{-0.0041}	2.827 ^{+0.010} / _{+0.00}	2.997 ^{+0.006} / _{+0.00}	5.81
ST-250V	2-1/2	3	1/4	.395	.249 ^{+0.04} / _{+0.00}	2.500 ^{-0.012} / _{-0.0041}	2.827 ^{+0.010} / _{+0.00}	2.997 ^{+0.006} / _{+0.00}	37.05
ST-262	2-5/8	3-1/8	1/4	.395	.249 ^{+0.04} / _{+0.00}	2.625 ^{-0.012} / _{-0.0041}	2.952 ^{+0.010} / _{+0.00}	3.122 ^{+0.006} / _{+0.00}	5.81
ST-275	2-3/4	3-1/4	1/4	.395	.249 ^{+0.04} / _{+0.00}	2.750 ^{-0.012} / _{-0.0041}	3.077 ^{+0.010} / _{+0.00}	3.247 ^{+0.006} / _{+0.00}	5.99
ST-287	2-7/8	3-3/8	1/4	.395	.249 ^{+0.04} / _{+0.00}	2.875 ^{-0.012} / _{-0.0041}	3.202 ^{+0.010} / _{+0.00}	3.372 ^{+0.006} / _{+0.00}	6.23
ST-300	3	3-1/2	1/4	.395	.249 ^{+0.04} / _{+0.00}	3.000 ^{-0.012} / _{-0.0041}	3.327 ^{+0.010} / _{+0.00}	3.497 ^{+0.006} / _{+0.00}	6.23
ST-300V	3	3-1/2	1/4	.395	.249 ^{+0.04} / _{+0.00}	3.000 ^{-0.012} / _{-0.0041}	3.327 ^{+0.010} / _{+0.00}	3.497 ^{+0.006} / _{+0.00}	42.68
ST-312	3-1/8	3-5/8	1/4	.395	.249 ^{+0.04} / _{+0.00}	3.125 ^{-0.012} / _{-0.0041}	3.452 ^{+0.010} / _{+0.00}	3.622 ^{+0.006} / _{+0.00}	6.92
ST-325	3-1/4	3-3/4	1/4	.395	.249 ^{+0.04} / _{+0.00}	3.250 ^{-0.014} / _{-0.0048}	3.577 ^{+0.010} / _{+0.00}	3.747 ^{+0.006} / _{+0.00}	6.92

STYLE ST URETHANE WIPER RINGS

WIPER RINGS

Part Number	A Nom. ID	B Nom. OD	C Nom. Ht	C ₁ OVERALL HEIGHT	D GROOVE WIDTH	E ROD DIAMETER	F THROAT DIAMETER	G HOUSING DIAMETER	List Price
ST-325V	3-1/4	3-3/4	1/4	.395	.249 ^{+0.004} / _{+0.000}	3.250 ^{-0.0014} / _{-0.0048}	3.577 ^{+0.010} / _{+0.000}	3.747 ^{+0.006} / _{+0.000}	39.53
ST-337	3-3/8	3-7/8	1/4	.395	.249 ^{+0.004} / _{+0.000}	3.375 ^{-0.0014} / _{-0.0048}	3.702 ^{+0.010} / _{+0.000}	3.872 ^{+0.006} / _{+0.000}	7.12
ST-350	3-1/2	4	1/4	.395	.249 ^{+0.004} / _{+0.000}	3.500 ^{-0.0014} / _{-0.0048}	3.827 ^{+0.010} / _{+0.000}	3.997 ^{+0.006} / _{+0.000}	7.12
ST-350V	3-1/2	4	1/4	.395	.249 ^{+0.004} / _{+0.000}	3.500 ^{-0.0014} / _{-0.0048}	3.827 ^{+0.010} / _{+0.000}	3.997 ^{+0.006} / _{+0.000}	48.97
ST-362	3-5/8	4-1/8	1/4	.395	.249 ^{+0.004} / _{+0.000}	3.625 ^{-0.0014} / _{-0.0048}	3.952 ^{+0.010} / _{+0.000}	4.122 ^{+0.006} / _{+0.000}	8.26
ST-375	3-3/4	4-1/4	1/4	.395	.249 ^{+0.004} / _{+0.000}	3.750 ^{-0.0014} / _{-0.0048}	4.077 ^{+0.010} / _{+0.000}	4.247 ^{+0.006} / _{+0.000}	8.26
ST-387	3-7/8	4-3/8	1/4	.395	.249 ^{+0.004} / _{+0.000}	3.875 ^{-0.0014} / _{-0.0048}	4.202 ^{+0.010} / _{+0.000}	4.372 ^{+0.006} / _{+0.000}	9.27
ST-400	4	4-1/2	1/4	.395	.249 ^{+0.004} / _{+0.000}	4.000 ^{-0.0014} / _{-0.0048}	4.327 ^{+0.010} / _{+0.000}	4.497 ^{+0.006} / _{+0.000}	9.27
ST-412	4-1/8	4-5/8	1/4	.395	.249 ^{+0.004} / _{+0.000}	4.125 ^{-0.0014} / _{-0.0048}	4.452 ^{+0.010} / _{+0.000}	4.622 ^{+0.006} / _{+0.000}	9.44
ST-425	4-1/4	4-3/4	1/4	.395	.249 ^{+0.004} / _{+0.000}	4.250 ^{-0.0014} / _{-0.0048}	4.577 ^{+0.010} / _{+0.000}	4.747 ^{+0.006} / _{+0.000}	9.59
ST-437	4-3/8	4-7/8	1/4	.395	.249 ^{+0.004} / _{+0.000}	4.375 ^{-0.0014} / _{-0.0048}	4.702 ^{+0.010} / _{+0.000}	4.872 ^{+0.006} / _{+0.000}	10.28
ST-451	4-1/2	5	1/4	.395	.249 ^{+0.004} / _{+0.000}	4.500 ^{-0.0014} / _{-0.0048}	4.827 ^{+0.010} / _{+0.000}	4.997 ^{+0.006} / _{+0.000}	10.28
ST-450	4-1/2	5-1/4	3/8	.585	.374 ^{+0.004} / _{+0.000}	4.500 ^{-0.0014} / _{-0.0048}	4.993 ^{+0.010} / _{+0.000}	5.247 ^{+0.006} / _{+0.000}	10.38
ST-475	4-3/4	5-1/2	3/8	.585	.374 ^{+0.004} / _{+0.000}	4.750 ^{-0.0017} / _{-0.0056}	5.243 ^{+0.010} / _{+0.000}	5.497 ^{+0.006} / _{+0.000}	10.99
ST-487	4-7/8	5-5/8	3/8	.585	.374 ^{+0.004} / _{+0.000}	4.875 ^{-0.0017} / _{-0.0056}	5.368 ^{+0.010} / _{+0.000}	5.622 ^{+0.006} / _{+0.000}	13.09
ST-501	5	5-1/2	1/4	.395	.249 ^{+0.004} / _{+0.000}	5.000 ^{-0.0017} / _{-0.0056}	5.327 ^{+0.010} / _{+0.000}	5.497 ^{+0.006} / _{+0.000}	14.08
ST-500	5	5-3/4	3/8	.585	.374 ^{+0.004} / _{+0.000}	5.000 ^{-0.0017} / _{-0.0056}	5.493 ^{+0.010} / _{+0.000}	5.747 ^{+0.006} / _{+0.000}	14.51
ST-525	5-1/4	6	3/8	.585	.374 ^{+0.004} / _{+0.000}	5.250 ^{-0.0017} / _{-0.0056}	5.743 ^{+0.010} / _{+0.000}	5.997 ^{+0.006} / _{+0.000}	17.91
ST-550	5-1/2	6-1/4	3/8	.585	.374 ^{+0.004} / _{+0.000}	5.500 ^{-0.0017} / _{-0.0056}	5.993 ^{+0.010} / _{+0.000}	6.247 ^{+0.006} / _{+0.000}	18.02
ST-575	5-3/4	6-1/2	3/8	.585	.374 ^{+0.004} / _{+0.000}	5.750 ^{-0.0017} / _{-0.0056}	6.243 ^{+0.010} / _{+0.000}	6.497 ^{+0.006} / _{+0.000}	20.28
ST-600	6	6-3/4	3/8	.585	.374 ^{+0.004} / _{+0.000}	6.000 ^{-0.0017} / _{-0.0056}	6.493 ^{+0.010} / _{+0.000}	6.747 ^{+0.006} / _{+0.000}	21.33
ST-625	6-1/4	7	3/8	.585	.374 ^{+0.004} / _{+0.000}	6.250 ^{-0.0017} / _{-0.0056}	6.743 ^{+0.010} / _{+0.000}	6.997 ^{+0.006} / _{+0.000}	21.92
ST-650	6-1/2	7-1/4	3/8	.585	.374 ^{+0.004} / _{+0.000}	6.500 ^{-0.0017} / _{-0.0056}	6.993 ^{+0.010} / _{+0.000}	7.247 ^{+0.006} / _{+0.000}	22.50
ST-650-A	6-1/2	7-1/2	3/8	.585	.374 ^{+0.004} / _{+0.000}	6.500 ^{-0.0017} / _{-0.0056}	7.159 ^{+0.010} / _{+0.000}	7.497 ^{+0.006} / _{+0.000}	79.78
ST-660	6-1/2	7-1/2	1/2	.775	.499 ^{+0.004} / _{+0.000}	6.500 ^{-0.0017} / _{-0.0056}	6.993 ^{+0.010} / _{+0.000}	7.497 ^{+0.006} / _{+0.000}	73.84
ST-675	6-3/4	7-1/2	3/8	.585	.374 ^{+0.004} / _{+0.000}	6.750 ^{-0.0017} / _{-0.0056}	7.243 ^{+0.010} / _{+0.000}	7.497 ^{+0.006} / _{+0.000}	23.54
ST-702	7	8	.4	.675	.399 ^{+0.004} / _{+0.000}	7.000 ^{-0.0017} / _{-0.0056}	7.659 ^{+0.010} / _{+0.000}	7.997 ^{+0.006} / _{+0.000}	73.55
ST-701	7	8	1/2	.775	.499 ^{+0.004} / _{+0.000}	7.000 ^{-0.0017} / _{-0.0056}	7.659 ^{+0.010} / _{+0.000}	7.997 ^{+0.006} / _{+0.000}	73.23
ST-750	7-1/2	8-1/4	3/8	.585	.374 ^{+0.004} / _{+0.000}	7.500 ^{-0.0020} / _{-0.0065}	7.993 ^{+0.010} / _{+0.000}	8.247 ^{+0.006} / _{+0.000}	26.24
ST-750-A	7-1/2	8-1/2	3/8	.585	.374 ^{+0.004} / _{+0.000}	7.500 ^{-0.0020} / _{-0.0065}	8.159 ^{+0.010} / _{+0.000}	8.497 ^{+0.006} / _{+0.000}	89.18
ST-775	7-3/4	8-1/2	3/8	.585	.374 ^{+0.004} / _{+0.000}	7.750 ^{-0.0020} / _{-0.0065}	8.243 ^{+0.010} / _{+0.000}	8.497 ^{+0.006} / _{+0.000}	28.11
ST-801	8	8-1/2	1/4	.395	.249 ^{+0.004} / _{+0.000}	8.000 ^{-0.0020} / _{-0.0065}	8.327 ^{+0.010} / _{+0.000}	8.497 ^{+0.006} / _{+0.000}	30.04
ST-800	8	8-3/4	3/8	.585	.374 ^{+0.004} / _{+0.000}	8.000 ^{-0.0020} / _{-0.0065}	8.493 ^{+0.010} / _{+0.000}	8.747 ^{+0.006} / _{+0.000}	30.04

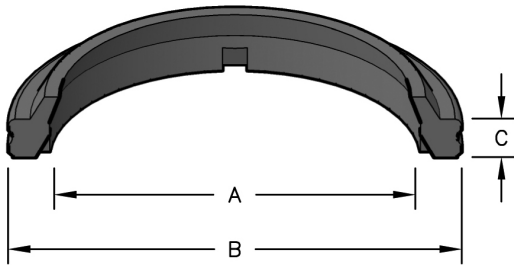
STYLE ST URETHANE WIPER RINGS

WIPER RINGS

Part Number	A Nom. ID	B Nom. OD	C Nom. Ht	C ₁ OVERALL HEIGHT	D GROOVE WIDTH	E ROD DIAMETER	F THROAT DIAMETER	G HOUSING DIAMETER	List Price
ST-825	8-1/4	9	3/8	.585	.374 ^{+0.004} / _{+0.000}	8.250 ^{-0.0020} / _{-0.0065}	8.743 ^{+0.010} / _{+0.000}	8.997 ^{+0.006} / _{+0.000}	30.47
ST-851	8-1/2	9	1/4	.395	.249 ^{+0.004} / _{+0.000}	8.500 ^{-0.0020} / _{-0.0065}	8.827 ^{+0.010} / _{+0.000}	8.997 ^{+0.006} / _{+0.000}	75.02
ST-850	8-1/2	9-1/4	3/8	.585	.374 ^{+0.004} / _{+0.000}	8.500 ^{-0.0020} / _{-0.0065}	8.993 ^{+0.010} / _{+0.000}	9.247 ^{+0.006} / _{+0.000}	30.47
ST-875	8-3/4	9-1/2	1/4	.395	.374 ^{+0.004} / _{+0.000}	8.750 ^{-0.0020} / _{-0.0065}	9.243 ^{+0.010} / _{+0.000}	9.497 ^{+0.006} / _{+0.000}	32.36
ST-900	9	9-3/4	3/8	.585	.374 ^{+0.004} / _{+0.000}	9.000 ^{-0.0020} / _{-0.0065}	9.493 ^{+0.010} / _{+0.000}	9.747 ^{+0.006} / _{+0.000}	34.63
ST-950	9-1/2	10-1/4	3/8	.585	.374 ^{+0.004} / _{+0.000}	9.500 ^{-0.0020} / _{-0.0065}	9.993 ^{+0.010} / _{+0.000}	10.247 ^{+0.006} / _{+0.000}	36.37
ST-975	9-3/4	10-1/2	3/8	.585	.374 ^{+0.004} / _{+0.000}	9.750 ^{-0.0020} / _{-0.0065}	10.243 ^{+0.010} / _{+0.000}	10.497 ^{+0.006} / _{+0.000}	38.83
ST-1000A	10	10-1/2	1/4	.395	.249 ^{+0.004} / _{+0.000}	10.000 ^{-0.0022} / _{-0.0073}	10.313 ^{+0.010} / _{+0.000}	10.497 ^{+0.006} / _{+0.000}	95.12
ST-1000	10	11	1/2	.775	.499 ^{+0.004} / _{+0.000}	10.000 ^{-0.0022} / _{-0.0073}	10.659 ^{+0.010} / _{+0.000}	10.997 ^{+0.006} / _{+0.000}	44.49
ST-1100	11	12	1/2	.775	.499 ^{+0.004} / _{+0.000}	11.000 ^{-0.0022} / _{-0.0073}	11.659 ^{+0.010} / _{+0.000}	11.997 ^{+0.006} / _{+0.000}	48.25
ST-1200	12	13	1/2	.775	.499 ^{+0.004} / _{+0.000}	12.000 ^{-0.0022} / _{-0.0073}	12.659 ^{+0.010} / _{+0.000}	12.997 ^{+0.006} / _{+0.000}	51.62
ST-1201	12	13-1/4	1/2	.775	.499 ^{+0.004} / _{+0.000}	12.000 ^{-0.0022} / _{-0.0073}	12.909 ^{+0.010} / _{+0.000}	13.247 ^{+0.006} / _{+0.000}	109.10
ST-1250	12-1/2	13-1/2	1/2	.775	.499 ^{+0.004} / _{+0.000}	12.500 ^{-0.0024} / _{-0.0080}	13.159 ^{+0.010} / _{+0.000}	13.497 ^{+0.006} / _{+0.000}	111.81

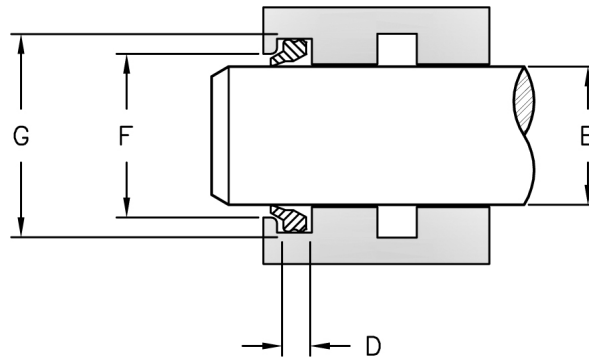
STYLE ST URETHANE WIPER RINGS WITH SLOTTED HEEL

A wide range of ST wipers are now offered in the slotted heel design. The slots in the heel allow excess hydraulic fluid to bypass the wiper, preventing wiper blowout.



HERCULES PART NUMBERS

ST - 31 - SH
 Prefix Size Slotted Heel



SEAL INFORMATION	
MATERIAL	90A URETHANE
TEMPERATURE RANGE	-40° TO +200° F
SPEED	3 FT/SEC

Part Number	A Nom. ID	B Nom. OD	C Nom. Ht	D GROOVE WIDTH	E ROD DIAMETER	F THROAT DIAMETER	G HOUSING DIAMETER	List Price
ST-31-SH	5/16	9/16	1/8	.124 ^{+0.04} / _{+0.00}	.312 ^{-0.005} / _{-0.0019}	.475 ^{+0.010} / _{+0.00}	.560 ^{+0.006} / _{+0.00}	\$ 2.76
ST-37-SH	3/8	5/8	1/8	.124 ^{+0.04} / _{+0.00}	.375 ^{-0.005} / _{-0.0019}	.535 ^{+0.010} / _{+0.00}	.622 ^{+0.006} / _{+0.00}	2.76
ST-43-SH	7/16	11/16	1/8	.124 ^{+0.04} / _{+0.00}	.437 ^{-0.006} / _{-0.0023}	.600 ^{+0.010} / _{+0.00}	.685 ^{+0.006} / _{+0.00}	2.76
ST-50-SH	1/2	3/4	1/8	.124 ^{+0.04} / _{+0.00}	.500 ^{-0.006} / _{-0.0023}	.660 ^{+0.010} / _{+0.00}	.747 ^{+0.006} / _{+0.00}	2.76
ST-62-SH	5/8	7/8	1/8	.124 ^{+0.04} / _{+0.00}	.625 ^{-0.006} / _{-0.0023}	.785 ^{+0.010} / _{+0.00}	.872 ^{+0.006} / _{+0.00}	3.28
ST-68-SH	11/16	.934	.124	.124 ^{+0.04} / _{+0.00}	.687 ^{-0.006} / _{-0.0023}	.844 ^{+0.010} / _{+0.00}	.934 ^{+0.006} / _{+0.00}	3.28
ST-75-SH	3/4	1-1/8	3/16	.187 ^{+0.04} / _{+0.00}	.750 ^{-0.008} / _{-0.0028}	.995 ^{+0.010} / _{+0.00}	1.122 ^{+0.006} / _{+0.00}	3.28
ST-87-SH	7/8	1-1/4	3/16	.187 ^{+0.04} / _{+0.00}	.875 ^{-0.008} / _{-0.0028}	1.120 ^{+0.010} / _{+0.00}	1.247 ^{+0.006} / _{+0.00}	3.28
ST-100-SH	1	1-3/8	3/16	.187 ^{+0.04} / _{+0.00}	1.000 ^{-0.008} / _{-0.0028}	1.245 ^{+0.010} / _{+0.00}	1.372 ^{+0.006} / _{+0.00}	3.28
ST-112-SH	1-1/8	1-1/2	3/16	.187 ^{+0.04} / _{+0.00}	1.125 ^{-0.008} / _{-0.0028}	1.370 ^{+0.010} / _{+0.00}	1.497 ^{+0.006} / _{+0.00}	3.28
ST-125-SH	1-1/4	1-5/8	3/16	.187 ^{+0.04} / _{+0.00}	1.250 ^{-0.010} / _{-0.0034}	1.495 ^{+0.010} / _{+0.00}	1.622 ^{+0.006} / _{+0.00}	3.58
ST-137-SH	1-3/8	1-3/4	3/16	.187 ^{+0.04} / _{+0.00}	1.375 ^{-0.010} / _{-0.0034}	1.620 ^{+0.010} / _{+0.00}	1.747 ^{+0.006} / _{+0.00}	3.81
ST-150-SH	1-1/2	1-7/8	3/16	.187 ^{+0.04} / _{+0.00}	1.500 ^{-0.010} / _{-0.0034}	1.745 ^{+0.010} / _{+0.00}	1.872 ^{+0.006} / _{+0.00}	4.19
ST-162-SH	1-5/8	2	3/16	.187 ^{+0.04} / _{+0.00}	1.625 ^{-0.010} / _{-0.0034}	1.870 ^{+0.010} / _{+0.00}	1.997 ^{+0.006} / _{+0.00}	4.46
ST-175-SH	1-3/4	2-1/8	3/16	.187 ^{+0.04} / _{+0.00}	1.750 ^{-0.010} / _{-0.0034}	1.995 ^{+0.010} / _{+0.00}	2.122 ^{+0.006} / _{+0.00}	4.69
ST-187-SH	1-7/8	2-1/4	3/16	.187 ^{+0.04} / _{+0.00}	1.875 ^{-0.010} / _{-0.0034}	2.120 ^{+0.010} / _{+0.00}	2.247 ^{+0.006} / _{+0.00}	4.80
ST-200-SH	2	2-1/2	1/4	.249 ^{+0.04} / _{+0.00}	2.000 ^{-0.012} / _{-0.0041}	2.327 ^{+0.010} / _{+0.00}	2.497 ^{+0.006} / _{+0.00}	4.92

STYLE ST URETHANE WIPER RINGS WITH SLOTTED HEEL

WIPER RINGS

Part Number	A Nom. ID	B Nom. OD	C Nom. Ht	D GROOVE WIDTH	E ROD DIAMETER	F THROAT DIAMETER	G HOUSING DIAMETER	List Price
ST-212-SH	2-1/8	2-5/8	1/4	.249 ^{+0.004} / _{+0.000}	2.125 ^{-0.0012} / _{-0.0041}	2.452 ^{+0.010} / _{+0.000}	2.622 ^{+0.006} / _{+0.000}	5.11
ST-225-SH	2-1/4	2-3/4	1/4	.249 ^{+0.004} / _{+0.000}	2.250 ^{-0.0012} / _{-0.0041}	2.577 ^{+0.010} / _{+0.000}	2.747 ^{+0.006} / _{+0.000}	5.20
ST-237-SH	2-3/8	2-7/8	1/4	.249 ^{+0.004} / _{+0.000}	2.375 ^{-0.0012} / _{-0.0041}	2.702 ^{+0.010} / _{+0.000}	2.872 ^{+0.006} / _{+0.000}	5.20
ST-250-SH	2-1/2	3	1/4	.249 ^{+0.004} / _{+0.000}	2.500 ^{-0.0012} / _{-0.0041}	2.827 ^{+0.010} / _{+0.000}	2.997 ^{+0.006} / _{+0.000}	5.20
ST-262-SH	2-5/8	3-1/8	1/4	.249 ^{+0.004} / _{+0.000}	2.625 ^{-0.0012} / _{-0.0041}	2.952 ^{+0.010} / _{+0.000}	3.122 ^{+0.006} / _{+0.000}	5.62
ST-275-SH	2-3/4	3-1/4	1/4	.249 ^{+0.004} / _{+0.000}	2.750 ^{-0.0012} / _{-0.0041}	3.077 ^{+0.010} / _{+0.000}	3.247 ^{+0.006} / _{+0.000}	5.99
ST-300-SH	3	3-1/2	1/4	.249 ^{+0.004} / _{+0.000}	3.000 ^{-0.0012} / _{-0.0041}	3.327 ^{+0.010} / _{+0.000}	3.497 ^{+0.006} / _{+0.000}	6.26
ST-312-SH	3-1/8	3-5/8	1/4	.249 ^{+0.004} / _{+0.000}	3.125 ^{-0.0012} / _{-0.0041}	3.452 ^{+0.010} / _{+0.000}	3.622 ^{+0.006} / _{+0.000}	6.93
ST-325-SH	3-1/4	3-3/4	1/4	.249 ^{+0.004} / _{+0.000}	3.250 ^{-0.0014} / _{-0.0048}	3.577 ^{+0.010} / _{+0.000}	3.747 ^{+0.006} / _{+0.000}	7.12
ST-350-SH	3-1/2	4	1/4	.249 ^{+0.004} / _{+0.000}	3.500 ^{-0.0014} / _{-0.0048}	3.827 ^{+0.010} / _{+0.000}	3.997 ^{+0.006} / _{+0.000}	7.12
ST-362-SH	3-5/8	4-1/8	1/4	.249 ^{+0.004} / _{+0.000}	3.625 ^{-0.0014} / _{-0.0048}	3.952 ^{+0.010} / _{+0.000}	4.122 ^{+0.006} / _{+0.000}	7.70
ST-375-SH	3-3/4	4-1/4	1/4	.249 ^{+0.004} / _{+0.000}	3.750 ^{-0.0014} / _{-0.0048}	4.077 ^{+0.010} / _{+0.000}	4.247 ^{+0.006} / _{+0.000}	8.26
ST-400-SH	4	4-1/2	1/4	.249 ^{+0.004} / _{+0.000}	4.000 ^{-0.0014} / _{-0.0048}	4.327 ^{+0.010} / _{+0.000}	4.497 ^{+0.006} / _{+0.000}	9.27
ST-425-SH	4-1/4	4-3/4	1/4	.249 ^{+0.004} / _{+0.000}	4.250 ^{-0.0014} / _{-0.0048}	4.577 ^{+0.010} / _{+0.000}	4.747 ^{+0.006} / _{+0.000}	9.59
ST-450-SH	4-1/2	5-1/4	3/8	.374 ^{+0.004} / _{+0.000}	4.500 ^{-0.0014} / _{-0.0048}	4.993 ^{+0.010} / _{+0.000}	5.247 ^{+0.006} / _{+0.000}	10.38
ST-475-SH	4-3/4	5-1/2	3/8	.374 ^{+0.004} / _{+0.000}	4.750 ^{-0.0017} / _{-0.0056}	5.243 ^{+0.010} / _{+0.000}	5.497 ^{+0.006} / _{+0.000}	10.99
ST-500-SH	5	5-3/4	3/8	.374 ^{+0.004} / _{+0.000}	5.000 ^{-0.0017} / _{-0.0056}	5.493 ^{+0.010} / _{+0.000}	5.747 ^{+0.006} / _{+0.000}	14.51
ST-525-SH	5-1/4	6	3/8	.374 ^{+0.004} / _{+0.000}	5.250 ^{-0.0017} / _{-0.0056}	5.743 ^{+0.010} / _{+0.000}	5.997 ^{+0.006} / _{+0.000}	17.91
ST-550-SH	5-1/2	6-1/4	3/8	.374 ^{+0.004} / _{+0.000}	5.500 ^{-0.0017} / _{-0.0056}	5.993 ^{+0.010} / _{+0.000}	6.247 ^{+0.006} / _{+0.000}	18.82
ST-600-SH	6	6-3/4	3/8	.374 ^{+0.004} / _{+0.000}	6.000 ^{-0.0017} / _{-0.0056}	6.493 ^{+0.010} / _{+0.000}	6.747 ^{+0.006} / _{+0.000}	21.33
ST-700-SH	7	7-3/4	3/8	.374 ^{+0.004} / _{+0.000}	7.000 ^{-0.0017} / _{-0.0056}	7.493 ^{+0.010} / _{+0.000}	7.747 ^{+0.006} / _{+0.000}	25.32
ST-725-SH	7-1/4	8	3/8	.374 ^{+0.004} / _{+0.000}	7.250 ^{-0.0020} / _{-0.0065}	7.743 ^{+0.010} / _{+0.000}	7.997 ^{+0.006} / _{+0.000}	25.73
ST-750-SH	7-1/2	8-1/4	3/8	.374 ^{+0.004} / _{+0.000}	7.500 ^{-0.0020} / _{-0.0065}	7.993 ^{+0.010} / _{+0.000}	8.247 ^{+0.006} / _{+0.000}	27.23
ST-800-SH	8	8-3/4	3/8	.374 ^{+0.004} / _{+0.000}	8.000 ^{-0.0020} / _{-0.0065}	8.493 ^{+0.010} / _{+0.000}	8.747 ^{+0.006} / _{+0.000}	28.43
ST-900-SH	9	9-3/4	3/8	.374 ^{+0.004} / _{+0.000}	9.000 ^{-0.0020} / _{-0.0065}	9.493 ^{+0.010} / _{+0.000}	9.747 ^{+0.006} / _{+0.000}	34.00