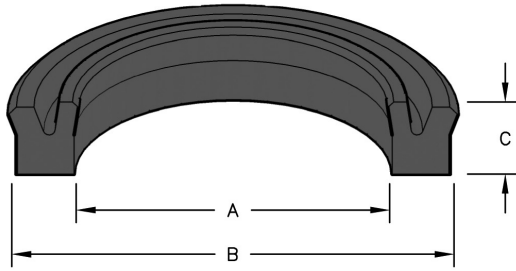


STYLE PU URETHANE PISTON U-SEALS

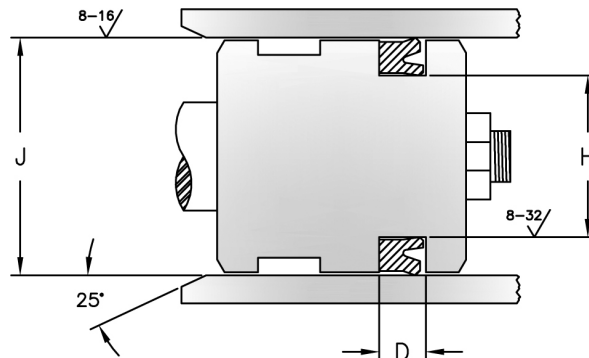
Style PU seals are molded from high quality urethane and designed specifically for piston applications.



HERCULES PART NUMBERS

PU 12 - 1.25 - 25
 Type of Seal Cross Section Inside Diameter Height

SEAL INFORMATION	
MATERIAL	90A URETHANE
TEMPERATURE RANGE	-40° TO +225° F
PRESSURE RANGE	0 TO 5,000 PSI
SPEED	3 FT/SEC



PISTON U-SEALS

Part Number	A Nom. ID	B Nom. OD	C Nom. Ht	D GROOVE WIDTH	H GROOVE DIAMETER	J BORE DIAMETER	List Price
1/8" C/S							
PU12-1.25-25	1-1/4	1-1/2	1/4	.275 ^{+0.010} / _{+0.000}	1.250 ^{+0.000} / _{-0.002}	1.500 ^{+0.002} / _{+0.000}	\$ 6.94
3/16" C/S							
PU18-0.75-31	3/4	1-1/8	5/16	.344 ^{+0.010} / _{+0.000}	.750 ^{+0.000} / _{-0.002}	1.125 ^{+0.002} / _{+0.000}	\$ 7.67
PU18-1.62-31	1-5/8	2	5/16	.344 ^{+0.010} / _{+0.000}	1.625 ^{+0.000} / _{-0.002}	2.000 ^{+0.002} / _{+0.000}	10.82
PU18-2.12-25	2-1/8	2-1/2	1/4	.275 ^{+0.010} / _{+0.000}	2.125 ^{+0.000} / _{-0.002}	2.500 ^{+0.002} / _{+0.000}	13.17
PU18-2.12-37	2-1/8	2-1/2	3/8	.413 ^{+0.010} / _{+0.000}	2.125 ^{+0.000} / _{-0.002}	2.500 ^{+0.002} / _{+0.000}	13.03
PU18-2.62-37	2-5/8	3	3/8	.413 ^{+0.010} / _{+0.000}	2.625 ^{+0.000} / _{-0.002}	3.000 ^{+0.002} / _{+0.000}	13.14
1/4" C/S							
PU25-1.18-31	1-3/16	1-11/16	5/16	.344 ^{+0.010} / _{+0.000}	1.1875 ±.0031	1.6875 ^{+0.0024} / _{+0.0000}	\$ 11.18
PU25-2.00-25	2	2-1/2	1/4	.275 ^{+0.010} / _{+0.000}	2.000 ^{+0.000} / _{-0.003}	2.500 ^{+0.003} / _{+0.000}	12.85
PU25-3.00-37	3	3-1/2	3/8	.413 ^{+0.010} / _{+0.000}	3.000 ^{+0.000} / _{-0.003}	3.500 ^{+0.003} / _{+0.000}	21.27
PU25-3.50-37	3-1/2	4	3/8	.413 ^{+0.010} / _{+0.000}	3.500 ^{+0.000} / _{-0.003}	4.000 ^{+0.003} / _{+0.000}	22.39
PU25-4.50-37	4-1/2	5	3/8	.413 ^{+0.010} / _{+0.000}	4.500 ^{+0.000} / _{-0.003}	5.000 ^{+0.003} / _{+0.000}	23.79
.2955" C/S							
PU29-1.61-38	1.614	2.205	.38	.425 ^{+0.016} / _{+0.000}	1.614 ^{+0.000} / _{-0.002}	2.205 ^{+0.002} / _{+0.000}	\$ 35.45

STYLE PU URETHANE PISTON U-SEALS

Part Number	A Nom. ID	B Nom. OD	C Nom. Ht	D GROOVE WIDTH	H GROOVE DIAMETER	J BORE DIAMETER	List Price
3/8" C/S							
PU37-5.25-50	5-1/4	6	1/2	.550 ⁺⁰¹⁰ / ₊₀₀₀	5.250 ⁺⁰⁰⁰ / _{-.005}	6.000 ⁺⁰⁰⁴ / ₊₀₀₀	\$29.72
1/2" C/S							
PU50-2.00-50	2	3	1/2	.550 ⁺⁰¹⁰ / ₊₀₀₀	2.000 ⁺⁰⁰⁰ / _{-.007}	3.000 ⁺⁰⁰⁵ / ₊₀₀₀	\$37.18
PU50-2.25-50	2-1/4	3-1/4	1/2	.550 ⁺⁰¹⁰ / ₊₀₀₀	2.250 ⁺⁰⁰⁰ / _{-.007}	3.250 ⁺⁰⁰⁵ / ₊₀₀₀	45.24
PU50-3.00-50	3	4	1/2	.550 ⁺⁰¹⁰ / ₊₀₀₀	3.000 ⁺⁰⁰⁰ / _{-.007}	4.000 ⁺⁰⁰⁵ / ₊₀₀₀	51.29