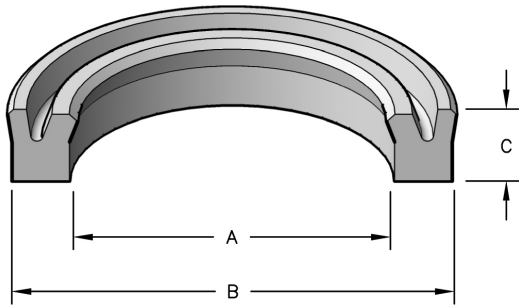


STYLE DRU HEAVY DUTY ROD U-SEALS

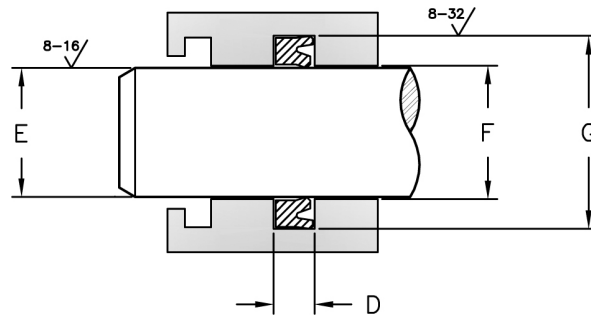
These seals are specifically designed to seal on their inside diameter and engineered to attain maximum life and reliability in dynamic rod sealing.



HERCULES PART NUMBERS

DRU 12 - 0.62 - 18
 Type of Seal | Cross Section | Inside Diameter | Height

SEAL INFORMATION	
MATERIAL	92A URETHANE
TEMPERATURE RANGE	-65° TO +230° F
PRESSURE RANGE	0 TO 6,000 PSI
SPEED	3 FT/SEC



Part Number	A Nom. ID	B Nom. OD	C Nom. Ht	D GROOVE WIDTH	E ROD DIAMETER	F THROAT DIAMETER	G HOUSING DIAMETER	List Price
1/8" C/S								
DRU12-0.62-18	5/8	7/8	3/16	.218 +.015 +.000	.625 +.000 -.003	.626 +.003 +.000	.875 +.005 +.000	\$9.73
DRU12-0.75-12	3/4	1	1/8	.156 +.015 +.000	.750 +.000 -.003	.751 +.003 +.000	1.000 +.005 +.000	8.31
DRU12-0.75-25	3/4	1	1/4	.281 +.015 +.000	.750 +.000 -.003	.751 +.003 +.000	1.000 +.005 +.000	9.85
DRU12-0.87-12	7/8	1-1/8	1/8	.156 +.015 +.000	.875 +.000 -.003	.876 +.003 +.000	1.125 +.005 +.000	9.38
DRU12-1.00-12	1	1-1/4	1/8	.156 +.015 +.000	1.000 +.000 -.003	1.001 +.003 +.000	1.250 +.005 +.000	10.11
DRU12-1.00-18	1	1-1/4	3/16	.218 +.015 +.000	1.000 +.000 -.003	1.001 +.003 +.000	1.250 +.005 +.000	9.02
3/16" C/S								
DRU18-0.62-20	5/8	1	.202	.218 +.015 +.000	.625 +.000 -.003	.626 +.003 +.000	1.000 +.005 +.000	\$9.19
DRU18-0.87-18	7/8	1-1/4	3/16	.218 +.015 +.000	.875 +.000 -.003	.876 +.003 +.000	1.250 +.005 +.000	8.76
DRU18-0.87-25	7/8	1-1/4	1/4	.281 +.015 +.000	.875 +.000 -.003	.876 +.003 +.000	1.250 +.005 +.000	10.06
DRU18-1.00-31	1	1-3/8	5/16	.343 +.015 +.000	1.000 +.000 -.003	1.001 +.003 +.000	1.375 +.005 +.000	9.36
DRU18-1.12-31	1-1/8	1-1/2	5/16	.343 +.015 +.000	1.125 +.000 -.003	1.126 +.003 +.000	1.500 +.007 +.000	9.29
DRU18-1.12-37	1-1/8	1-1/2	3/8	.406 +.015 +.000	1.125 +.000 -.003	1.126 +.003 +.000	1.500 +.007 +.000	9.44
DRU18-1.75-25	1-3/4	2-1/8	1/4	.281 +.015 +.000	1.750 +.000 -.003	1.751 +.003 +.000	2.125 +.008 +.000	13.95
DRU18-1.87-31	1-7/8	2-1/4	5/16	.343 +.015 +.000	1.875 +.000 -.003	1.876 +.003 +.000	2.250 +.008 +.000	29.46

STYLE DRU HEAVY DUTY ROD U-SEALS

ROD U-SEALS

Part Number	A Nom. ID	B Nom. OD	C Nom. Ht	D GROOVE WIDTH	E ROD DIAMETER	F THROAT DIAMETER	G HOUSING DIAMETER	List Price
DRU18-2.00-25	2	2-3/8	1/4	.281 ⁺⁰¹⁵ / ₊₀₀₀	2.000 ⁺⁰⁰⁰ / _{-.003}	2.001 ⁺⁰⁰⁴ / ₊₀₀₀	2.375 ⁺⁰⁰⁸ / ₊₀₀₀	16.56
DRU18-2.25-31	2-1/4	2-5/8	5/16	.343 ⁺⁰¹⁵ / ₊₀₀₀	2.250 ⁺⁰⁰⁰ / _{-.003}	2.251 ⁺⁰⁰⁴ / ₊₀₀₀	2.625 ⁺⁰⁰⁸ / ₊₀₀₀	17.61
DRU18-2.50-31	2-1/2	2-7/8	5/16	.343 ⁺⁰¹⁵ / ₊₀₀₀	2.500 ⁺⁰⁰⁰ / _{-.003}	2.501 ⁺⁰⁰⁴ / ₊₀₀₀	2.875 ⁺⁰⁰⁸ / ₊₀₀₀	24.47
1/4" C/S								
DRU25-0.93-37	15/16	1-7/16	3/8	.406 ⁺⁰¹⁵ / ₊₀₀₀	.937 ⁺⁰⁰⁰ / _{-.003}	.938 ⁺⁰⁰³ / ₊₀₀₀	1.438 ⁺⁰⁰⁵ / ₊₀₀₀	\$9.17
DRU25-1.00-25	1	1-1/2	1/4	.281 ⁺⁰¹⁵ / ₊₀₀₀	1.000 ⁺⁰⁰⁰ / _{-.003}	1.001 ⁺⁰⁰³ / ₊₀₀₀	1.500 ⁺⁰⁰⁷ / ₊₀₀₀	9.17
DRU25-1.12-25	1-1/8	1-5/8	1/4	.281 ⁺⁰¹⁵ / ₊₀₀₀	1.125 ⁺⁰⁰⁰ / _{-.003}	1.126 ⁺⁰⁰³ / ₊₀₀₀	1.625 ⁺⁰⁰⁷ / ₊₀₀₀	11.64
DRU25-1.25-25	1-1/4	1-3/4	1/4	.281 ⁺⁰¹⁵ / ₊₀₀₀	1.250 ⁺⁰⁰⁰ / _{-.003}	1.251 ⁺⁰⁰³ / ₊₀₀₀	1.750 ⁺⁰⁰⁷ / ₊₀₀₀	11.31
DRU25-1.25-31	1-1/4	1-3/4	5/16	.343 ⁺⁰¹⁵ / ₊₀₀₀	1.250 ⁺⁰⁰⁰ / _{-.003}	1.251 ⁺⁰⁰³ / ₊₀₀₀	1.750 ⁺⁰⁰⁷ / ₊₀₀₀	11.31
DRU25-1.50-31	1-1/2	2	5/16	.343 ⁺⁰¹⁵ / ₊₀₀₀	1.500 ⁺⁰⁰⁰ / _{-.003}	1.501 ⁺⁰⁰³ / ₊₀₀₀	2.000 ⁺⁰⁰⁸ / ₊₀₀₀	13.46
DRU25-1.62-31	1-5/8	2-1/8	5/16	.343 ⁺⁰¹⁵ / ₊₀₀₀	1.625 ⁺⁰⁰⁰ / _{-.003}	1.626 ⁺⁰⁰³ / ₊₀₀₀	2.125 ⁺⁰⁰⁸ / ₊₀₀₀	14.75
DRU25-1.87-37	1-7/8	2-3/8	3/8	.406 ⁺⁰¹⁵ / ₊₀₀₀	1.875 ⁺⁰⁰⁰ / _{-.003}	1.876 ⁺⁰⁰³ / ₊₀₀₀	2.375 ⁺⁰⁰⁸ / ₊₀₀₀	36.04
DRU25-2.00-25	2	2-1/2	1/4	.281 ⁺⁰¹⁵ / ₊₀₀₀	2.000 ⁺⁰⁰⁰ / _{-.003}	2.001 ⁺⁰⁰⁴ / ₊₀₀₀	2.500 ⁺⁰⁰⁸ / ₊₀₀₀	17.37
DRU25-2.00-31	2	2-1/2	5/16	.343 ⁺⁰¹⁵ / ₊₀₀₀	2.000 ⁺⁰⁰⁰ / _{-.003}	2.001 ⁺⁰⁰⁴ / ₊₀₀₀	2.500 ⁺⁰⁰⁸ / ₊₀₀₀	17.37
DRU25-2.12-37	2-1/8	2-5/8	3/8	.406 ⁺⁰¹⁵ / ₊₀₀₀	2.125 ⁺⁰⁰⁰ / _{-.003}	2.126 ⁺⁰⁰⁴ / ₊₀₀₀	2.625 ⁺⁰⁰⁸ / ₊₀₀₀	25.40
DRU25-2.37-37	2-3/8	2-7/8	3/8	.406 ⁺⁰¹⁵ / ₊₀₀₀	2.375 ⁺⁰⁰⁰ / _{-.003}	2.376 ⁺⁰⁰⁴ / ₊₀₀₀	2.875 ⁺⁰⁰⁸ / ₊₀₀₀	17.61
DRU25-2.50-25	2-1/2	3	1/4	.281 ⁺⁰¹⁵ / ₊₀₀₀	2.500 ⁺⁰⁰⁰ / _{-.003}	2.501 ⁺⁰⁰⁴ / ₊₀₀₀	3.000 ⁺⁰⁰⁸ / ₊₀₀₀	18.02
DRU25-2.50-31	2-1/2	3	5/16	.343 ⁺⁰¹⁵ / ₊₀₀₀	2.500 ⁺⁰⁰⁰ / _{-.003}	2.501 ⁺⁰⁰⁴ / ₊₀₀₀	3.000 ⁺⁰⁰⁸ / ₊₀₀₀	18.02
DRU25-2.62-37	2-5/8	3-1/8	3/8	.406 ⁺⁰¹⁵ / ₊₀₀₀	2.625 ⁺⁰⁰⁰ / _{-.003}	2.626 ⁺⁰⁰⁴ / ₊₀₀₀	3.125 ⁺⁰⁰⁸ / ₊₀₀₀	18.40
DRU25-3.00-37	3	3-1/2	3/8	.406 ⁺⁰¹⁵ / ₊₀₀₀	3.000 ⁺⁰⁰⁰ / _{-.004}	3.001 ⁺⁰⁰⁴ / ₊₀₀₀	3.500 ⁺⁰⁰⁹ / ₊₀₀₀	18.27
DRU25-3.37-37	3-3/8	3-7/8	3/8	.406 ⁺⁰¹⁵ / ₊₀₀₀	3.375 ⁺⁰⁰⁰ / _{-.004}	3.376 ⁺⁰⁰⁴ / ₊₀₀₀	3.875 ⁺⁰⁰⁹ / ₊₀₀₀	20.01
DRU25-3.50-37	3-1/2	4	3/8	.406 ⁺⁰¹⁵ / ₊₀₀₀	3.500 ⁺⁰⁰⁰ / _{-.004}	3.501 ⁺⁰⁰⁴ / ₊₀₀₀	4.000 ⁺⁰⁰⁹ / ₊₀₀₀	21.03
DRU25-3.75-59	3-3/4	4-1/4	19/32	.620 ⁺⁰¹⁵ / ₊₀₀₀	3.750 ⁺⁰⁰⁰ / _{-.004}	3.751 ⁺⁰⁰⁴ / ₊₀₀₀	4.250 ⁺⁰⁰⁹ / ₊₀₀₀	50.44
DRU25-4.00-25	4	4-1/2	1/4	.281 ⁺⁰¹⁵ / ₊₀₀₀	4.000 ⁺⁰⁰⁰ / _{-.004}	4.001 ⁺⁰⁰⁴ / ₊₀₀₀	4.500 ⁺⁰⁰⁹ / ₊₀₀₀	30.56
DRU25-4.00-56	4	4-1/2	9/16	.594 ⁺⁰¹⁵ / ₊₀₀₀	4.000 ⁺⁰⁰⁰ / _{-.004}	4.001 ⁺⁰⁰⁴ / ₊₀₀₀	4.500 ⁺⁰⁰⁹ / ₊₀₀₀	26.85
DRU25-4.25-56	4-1/4	4-3/4	9/16	.594 ⁺⁰¹⁵ / ₊₀₀₀	4.250 ⁺⁰⁰⁰ / _{-.004}	4.251 ⁺⁰⁰⁴ / ₊₀₀₀	4.750 ⁺⁰⁰⁹ / ₊₀₀₀	29.18
DRU25-4.50-56	4-1/2	5	9/16	.594 ⁺⁰¹⁵ / ₊₀₀₀	4.500 ⁺⁰⁰⁰ / _{-.004}	4.501 ⁺⁰⁰⁴ / ₊₀₀₀	5.000 ⁺⁰¹⁰ / ₊₀₀₀	31.75
DRU25-5.00-56	5	5-1/2	9/16	.594 ⁺⁰¹⁵ / ₊₀₀₀	5.000 ⁺⁰⁰⁰ / _{-.004}	5.001 ⁺⁰⁰⁴ / ₊₀₀₀	5.500 ⁺⁰¹⁰ / ₊₀₀₀	40.19
DRU25-5.25-59	5-1/4	5-3/4	19/32	.620 ⁺⁰¹⁵ / ₊₀₀₀	5.250 ⁺⁰⁰⁰ / _{-.004}	5.251 ⁺⁰⁰⁴ / ₊₀₀₀	5.750 ⁺⁰¹⁰ / ₊₀₀₀	73.03
DRU25-6.75-59	6-3/4	7-1/4	19/32	.620 ⁺⁰¹⁵ / ₊₀₀₀	6.750 ⁺⁰⁰⁰ / _{-.004}	6.751 ⁺⁰⁰⁴ / ₊₀₀₀	7.250 ⁺⁰¹¹ / ₊₀₀₀	94.64
.3" C/S								
DRU30-5.00-37	5	5.6	3/8	.406 ⁺⁰¹⁵ / ₊₀₀₀	5.000 ⁺⁰⁰⁰ / _{-.004}	5.001 ⁺⁰⁰⁴ / ₊₀₀₀	5.600 ⁺⁰¹⁰ / ₊₀₀₀	\$59.30
5/16" C/S								
DRU31-1.37-37	1-3/8	2	3/8	.406 ⁺⁰¹⁵ / ₊₀₀₀	1.375 ⁺⁰⁰⁰ / _{-.003}	1.376 ⁺⁰⁰³ / ₊₀₀₀	2.000 ⁺⁰⁰⁸ / ₊₀₀₀	\$13.46

STYLE DRU HEAVY DUTY ROD U-SEALS

ROD U-SEALS

Part Number	A Nom. ID	B Nom. OD	C Nom. Ht	D GROOVE WIDTH	E ROD DIAMETER	F THROAT DIAMETER	G HOUSING DIAMETER	List Price
DRU31-2.00-37	2	2-5/8	3/8	.406 ⁺⁰¹⁵ / ₊₀₀₀	2.000 ⁺⁰⁰⁰ / _{-.003}	2.001 ⁺⁰⁰⁴ / ₊₀₀₀	2.625 ⁺⁰⁰⁸ / ₊₀₀₀	16.84
DRU31-2.25-37	2-1/4	2-7/8	3/8	.406 ⁺⁰¹⁵ / ₊₀₀₀	2.250 ⁺⁰⁰⁰ / _{-.003}	2.251 ⁺⁰⁰⁴ / ₊₀₀₀	2.875 ⁺⁰⁰⁸ / ₊₀₀₀	20.01
DRU31-2.25-50	2-1/4	2-7/8	1/2	.531 ⁺⁰¹⁵ / ₊₀₀₀	2.250 ⁺⁰⁰⁰ / _{-.003}	2.251 ⁺⁰⁰⁴ / ₊₀₀₀	2.875 ⁺⁰⁰⁸ / ₊₀₀₀	20.01
DRU31-2.37-37	2-3/8	3	3/8	.406 ⁺⁰¹⁵ / ₊₀₀₀	2.375 ⁺⁰⁰⁰ / _{-.003}	2.376 ⁺⁰⁰⁴ / ₊₀₀₀	3.000 ⁺⁰⁰⁸ / ₊₀₀₀	18.02
DRU31-2.37-50	2-3/8	3	1/2	.531 ⁺⁰¹⁵ / ₊₀₀₀	2.375 ⁺⁰⁰⁰ / _{-.003}	2.376 ⁺⁰⁰⁴ / ₊₀₀₀	3.000 ⁺⁰⁰⁸ / ₊₀₀₀	19.03
DRU31-2.75-37	2-3/4	3-3/8	3/8	.406 ⁺⁰¹⁵ / ₊₀₀₀	2.750 ⁺⁰⁰⁰ / _{-.003}	2.751 ⁺⁰⁰⁴ / ₊₀₀₀	3.375 ⁺⁰⁰⁹ / ₊₀₀₀	21.32
DRU31-3.00-37	3	3-5/8	3/8	.406 ⁺⁰¹⁵ / ₊₀₀₀	3.000 ⁺⁰⁰⁰ / _{-.004}	3.001 ⁺⁰⁰⁴ / ₊₀₀₀	3.625 ⁺⁰⁰⁹ / ₊₀₀₀	22.17
DRU31-3.25-50	3-1/4	3-7/8	1/2	.531 ⁺⁰¹⁵ / ₊₀₀₀	3.250 ⁺⁰⁰⁰ / _{-.004}	3.251 ⁺⁰⁰⁴ / ₊₀₀₀	3.875 ⁺⁰⁰⁹ / ₊₀₀₀	26.63
DRU31-3.37-50	3-3/8	4	1/2	.531 ⁺⁰¹⁵ / ₊₀₀₀	3.375 ⁺⁰⁰⁰ / _{-.004}	3.376 ⁺⁰⁰⁴ / ₊₀₀₀	4.000 ⁺⁰⁰⁹ / ₊₀₀₀	25.83
DRU31-4.00-50	4	4-5/8	1/2	.531 ⁺⁰¹⁵ / ₊₀₀₀	4.000 ⁺⁰⁰⁰ / _{-.004}	4.001 ⁺⁰⁰⁴ / ₊₀₀₀	4.625 ⁺⁰⁰⁹ / ₊₀₀₀	32.14
DRU31-4.50-37	4-1/2	5-1/8	3/8	.406 ⁺⁰¹⁵ / ₊₀₀₀	4.500 ⁺⁰⁰⁰ / _{-.004}	4.501 ⁺⁰⁰⁴ / ₊₀₀₀	5.125 ⁺⁰¹⁰ / ₊₀₀₀	37.05
DRU31-5.50-37	5-1/2	6-1/8	3/8	.406 ⁺⁰¹⁵ / ₊₀₀₀	5.500 ⁺⁰⁰⁰ / _{-.004}	5.501 ⁺⁰⁰⁴ / ₊₀₀₀	6.125 ⁺⁰¹⁰ / ₊₀₀₀	53.13
3/8" C/S								
DRU37-2.00-37	2	2-3/4	3/8	.406 ⁺⁰¹⁵ / ₊₀₀₀	2.000 ⁺⁰⁰⁰ / _{-.003}	2.001 ⁺⁰⁰⁴ / ₊₀₀₀	2.750 ⁺⁰⁰⁸ / ₊₀₀₀	\$ 18.02
DRU37-2.00-50	2	2-3/4	1/2	.531 ⁺⁰¹⁵ / ₊₀₀₀	2.000 ⁺⁰⁰⁰ / _{-.003}	2.001 ⁺⁰⁰⁴ / ₊₀₀₀	2.750 ⁺⁰⁰⁸ / ₊₀₀₀	18.02
DRU37-3.00-37	3	3-3/4	3/8	.406 ⁺⁰¹⁵ / ₊₀₀₀	3.000 ⁺⁰⁰⁰ / _{-.004}	3.001 ⁺⁰⁰⁴ / ₊₀₀₀	3.750 ⁺⁰⁰⁹ / ₊₀₀₀	21.35
DRU37-3.00-62	3	3-3/4	5/8	.656 ⁺⁰¹⁵ / ₊₀₀₀	3.000 ⁺⁰⁰⁰ / _{-.004}	3.001 ⁺⁰⁰⁴ / ₊₀₀₀	3.750 ⁺⁰⁰⁹ / ₊₀₀₀	24.28
DRU37-3.50-37	3-1/2	4-1/4	3/8	.406 ⁺⁰¹⁵ / ₊₀₀₀	3.500 ⁺⁰⁰⁰ / _{-.004}	3.501 ⁺⁰⁰⁴ / ₊₀₀₀	4.250 ⁺⁰⁰⁹ / ₊₀₀₀	28.09
DRU37-3.50-50	3-1/2	4-1/4	1/2	.531 ⁺⁰¹⁵ / ₊₀₀₀	3.500 ⁺⁰⁰⁰ / _{-.004}	3.501 ⁺⁰⁰⁴ / ₊₀₀₀	4.250 ⁺⁰⁰⁹ / ₊₀₀₀	28.09
DRU37-3.62-37	3-5/8	4-3/8	3/8	.406 ⁺⁰¹⁵ / ₊₀₀₀	3.625 ⁺⁰⁰⁰ / _{-.004}	3.626 ⁺⁰⁰⁴ / ₊₀₀₀	4.375 ⁺⁰⁰⁹ / ₊₀₀₀	28.09
DRU37-4.00-37	4	4-3/4	3/8	.406 ⁺⁰¹⁵ / ₊₀₀₀	4.000 ⁺⁰⁰⁰ / _{-.004}	4.001 ⁺⁰⁰⁴ / ₊₀₀₀	4.750 ⁺⁰⁰⁹ / ₊₀₀₀	32.14
DRU37-4.00-50	4	4-3/4	1/2	.531 ⁺⁰¹⁵ / ₊₀₀₀	4.000 ⁺⁰⁰⁰ / _{-.004}	4.001 ⁺⁰⁰⁴ / ₊₀₀₀	4.750 ⁺⁰⁰⁹ / ₊₀₀₀	32.14
DRU37-4.00-62	4	4-3/4	5/8	.656 ⁺⁰¹⁵ / ₊₀₀₀	4.000 ⁺⁰⁰⁰ / _{-.004}	4.001 ⁺⁰⁰⁴ / ₊₀₀₀	4.750 ⁺⁰⁰⁹ / ₊₀₀₀	49.76
DRU37-4.25-50	4-1/4	5	1/2	.531 ⁺⁰¹⁵ / ₊₀₀₀	4.250 ⁺⁰⁰⁰ / _{-.004}	4.251 ⁺⁰⁰⁴ / ₊₀₀₀	5.000 ⁺⁰¹⁰ / ₊₀₀₀	31.48
DRU37-4.25-62	4-1/4	5	5/8	.656 ⁺⁰¹⁵ / ₊₀₀₀	4.250 ⁺⁰⁰⁰ / _{-.004}	4.251 ⁺⁰⁰⁴ / ₊₀₀₀	5.000 ⁺⁰¹⁰ / ₊₀₀₀	32.57
DRU37-4.37-50	4-3/8	5-1/8	1/2	.531 ⁺⁰¹⁵ / ₊₀₀₀	4.375 ⁺⁰⁰⁰ / _{-.004}	4.376 ⁺⁰⁰⁴ / ₊₀₀₀	5.125 ⁺⁰¹⁰ / ₊₀₀₀	44.79
DRU37-4.50-50	4-1/2	5-1/4	1/2	.531 ⁺⁰¹⁵ / ₊₀₀₀	4.500 ⁺⁰⁰⁰ / _{-.004}	4.501 ⁺⁰⁰⁴ / ₊₀₀₀	5.250 ⁺⁰¹⁰ / ₊₀₀₀	33.75
DRU37-4.50-62	4-1/2	5-1/4	5/8	.656 ⁺⁰¹⁵ / ₊₀₀₀	4.500 ⁺⁰⁰⁰ / _{-.004}	4.501 ⁺⁰⁰⁴ / ₊₀₀₀	5.250 ⁺⁰¹⁰ / ₊₀₀₀	33.45
DRU37-4.75-37	4-3/4	5-1/2	3/8	.406 ⁺⁰¹⁵ / ₊₀₀₀	4.750 ⁺⁰⁰⁰ / _{-.004}	4.751 ⁺⁰⁰⁴ / ₊₀₀₀	5.500 ⁺⁰¹⁰ / ₊₀₀₀	42.89
DRU37-4.87-50	4-7/8	5-5/8	1/2	.531 ⁺⁰¹⁵ / ₊₀₀₀	4.875 ⁺⁰⁰⁰ / _{-.004}	4.876 ⁺⁰⁰⁴ / ₊₀₀₀	5.625 ⁺⁰¹⁰ / ₊₀₀₀	57.15
DRU37-5.25-62	5-1/4	6	5/8	.656 ⁺⁰¹⁵ / ₊₀₀₀	5.250 ⁺⁰⁰⁰ / _{-.004}	5.251 ⁺⁰⁰⁴ / ₊₀₀₀	6.000 ⁺⁰¹⁰ / ₊₀₀₀	51.02
DRU37-5.75-62	5-3/4	6-1/2	5/8	.656 ⁺⁰¹⁵ / ₊₀₀₀	5.750 ⁺⁰⁰⁰ / _{-.004}	5.751 ⁺⁰⁰⁴ / ₊₀₀₀	6.500 ⁺⁰¹⁰ / ₊₀₀₀	69.48
DRU37-6.00-62	6	6-3/4	5/8	.656 ⁺⁰¹⁵ / ₊₀₀₀	6.000 ⁺⁰⁰⁰ / _{-.004}	6.001 ⁺⁰⁰⁴ / ₊₀₀₀	6.750 ⁺⁰¹⁰ / ₊₀₀₀	72.90

STYLE DRU HEAVY DUTY ROD U-SEALS

Part Number	A Nom. ID	B Nom. OD	C Nom. Ht	D GROOVE WIDTH	E ROD DIAMETER	F THROAT DIAMETER	G HOUSING DIAMETER	List Price
DRU37-6.50-50	6-1/2	7-1/4	1/2	.531 ⁺⁰¹⁵ / ₊₀₀₀	6.500 ⁺⁰⁰⁰ / _{-.004}	6.501 ⁺⁰⁰⁴ / ₊₀₀₀	7.250 ⁺⁰¹¹ / ₊₀₀₀	79.66
DRU37-6.50-62	6-1/2	7-1/4	5/8	.656 ⁺⁰¹⁵ / ₊₀₀₀	6.500 ⁺⁰⁰⁰ / _{-.004}	6.501 ⁺⁰⁰⁴ / ₊₀₀₀	7.250 ⁺⁰¹¹ / ₊₀₀₀	95.55
DRU37-7.00-50	7	7-3/4	1/2	.531 ⁺⁰¹⁵ / ₊₀₀₀	7.000 ⁺⁰⁰⁰ / _{-.005}	7.001 ⁺⁰⁰⁴ / ₊₀₀₀	7.750 ⁺⁰¹¹ / ₊₀₀₀	86.84
DRU37-7.00-62	7	7-3/4	5/8	.656 ⁺⁰¹⁵ / ₊₀₀₀	7.000 ⁺⁰⁰⁰ / _{-.005}	7.001 ⁺⁰⁰⁴ / ₊₀₀₀	7.750 ⁺⁰¹¹ / ₊₀₀₀	93.90
7/16" C/S								
DRU43-4.50-48	4-1/2	5-3/8	.49	.531 ⁺⁰¹⁵ / ₊₀₀₀	4.500 ⁺⁰⁰⁰ / _{-.002}	4.501 ⁺⁰⁰⁴ / ₊₀₀₀	5.375 ⁺⁰⁰⁹ / ₊₀₀₀	\$48.88
1/2" C/S								
DRU50-5.00-75	5	6	3/4	.781 ⁺⁰¹⁵ / ₊₀₀₀	5.000 ⁺⁰⁰⁰ / _{-.004}	5.001 ⁺⁰⁰⁴ / ₊₀₀₀	6.000 ⁺⁰¹⁰ / ₊₀₀₀	\$82.58
DRU50-7.00-69	7	8	11/16	.720 ⁺⁰¹⁵ / ₊₀₀₀	7.000 ⁺⁰⁰⁰ / _{-.005}	7.001 ⁺⁰⁰⁴ / ₊₀₀₀	8.000 ⁺⁰¹¹ / ₊₀₀₀	100.94
DRU50-7.00-75	7	8	3/4	.781 ⁺⁰¹⁵ / ₊₀₀₀	7.000 ⁺⁰⁰⁰ / _{-.005}	7.001 ⁺⁰⁰⁴ / ₊₀₀₀	8.000 ⁺⁰¹¹ / ₊₀₀₀	101.93
DRU50-9.00-62	9	10	5/8	.656 ⁺⁰¹⁵ / ₊₀₀₀	9.000 ⁺⁰⁰⁰ / _{-.005}	9.001 ⁺⁰⁰⁴ / ₊₀₀₀	10.000 ⁺⁰¹² / ₊₀₀₀	138.08
DRU50-9.00-75	9	10	3/4	.781 ⁺⁰¹⁵ / ₊₀₀₀	9.000 ⁺⁰⁰⁰ / _{-.005}	9.001 ⁺⁰⁰⁴ / ₊₀₀₀	10.000 ⁺⁰¹² / ₊₀₀₀	131.05
DRU50-10.00-62	10	11	5/8	.656 ⁺⁰¹⁵ / ₊₀₀₀	10.000 ⁺⁰⁰⁰ / _{-.006}	10.001 ⁺⁰⁰⁴ / ₊₀₀₀	11.000 ⁺⁰¹² / ₊₀₀₀	137.34
DRU50-12.00-75	12	13	3/4	.781 ⁺⁰¹⁵ / ₊₀₀₀	12.000 ⁺⁰⁰⁰ / _{-.006}	12.001 ⁺⁰⁰⁴ / ₊₀₀₀	13.000 ⁺⁰¹² / ₊₀₀₀	191.07

ROD U-SEALS

Seal color may vary. Special order sizes are available. Sizes not shown and out of stock items can also be ordered for next day delivery through Seals On Demand, our custom seal program. Please call your regional sales team for assistance.