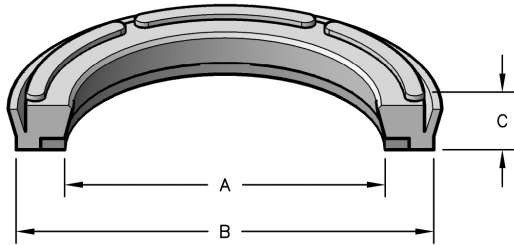


# STYLE DYR-BR43 ROD BUFFER SEALS

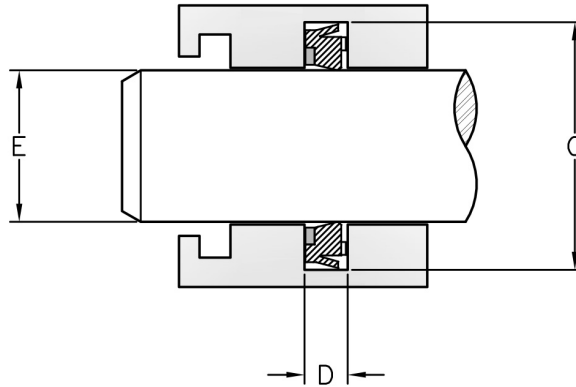
With a wider temperature range and a higher pressure rating than the standard DYR style, the DYR-BR43 rod buffer seal offers an asymmetric sealing lip profile, chamfered sealing edges, and pressure relieving capabilities to prevent inner pressure entrapment when employed in a tandem sealing system.



## HERCULES PART NUMBERS

**DYR - 125 03 - BR43**  
 Type of Seal    Nominal Seal ID    Cross Section

SEAL INFORMATION	
MATERIAL	90A URETHANE SEAL NYLON BACK-UP RING
TEMPERATURE RANGE	-65° TO +250° F
PRESSURE RANGE	0 TO 10,000 PSI
SPEED	1.6 FT/SEC

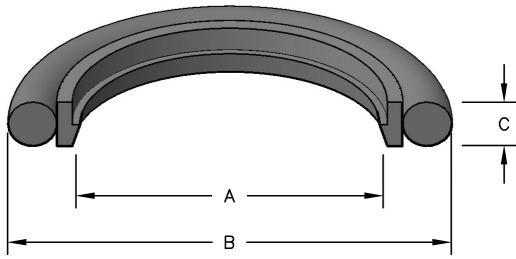


ROD BUFFER SEALS

Part Number	A Nom. ID	B Nom. OD	C Nom. Ht	D GROOVE WIDTH	E ROD DIAMETER	G HOUSING DIAMETER	List Price
DYR-12503-BR43	1-1/4	1-5/8	3/16	.206 <sup>+0.015</sup> / <sub>+0.000</sub>	1.250 <sup>+0.000</sup> / <sub>-.002</sub>	1.625 <sup>+0.002</sup> / <sub>+0.000</sub>	\$16.34
DYR-13753-BR43	1-3/8	1-3/4	3/16	.206 <sup>+0.015</sup> / <sub>+0.000</sub>	1.375 <sup>+0.000</sup> / <sub>-.002</sub>	1.750 <sup>+0.002</sup> / <sub>+0.000</sub>	17.15
DYR-15004-BR43	1-1/2	2	1/4	.275 <sup>+0.015</sup> / <sub>+0.000</sub>	1.500 <sup>+0.000</sup> / <sub>-.002</sub>	2.000 <sup>+0.003</sup> / <sub>+0.000</sub>	25.84
DYR-20004-BR43	2	2-1/2	1/4	.275 <sup>+0.015</sup> / <sub>+0.000</sub>	2.000 <sup>+0.000</sup> / <sub>-.002</sub>	2.500 <sup>+0.003</sup> / <sub>+0.000</sub>	26.96
DYR-25004-BR43	2-1/2	3	1/4	.275 <sup>+0.015</sup> / <sub>+0.000</sub>	2.500 <sup>+0.000</sup> / <sub>-.002</sub>	3.000 <sup>+0.003</sup> / <sub>+0.000</sub>	28.08
DYR-27503-BR43	2-3/4	3.397	.229	.252 <sup>+0.015</sup> / <sub>+0.000</sub>	2.750 <sup>+0.000</sup> / <sub>-.002</sub>	3.397 <sup>+0.003</sup> / <sub>+0.000</sub>	43.98
DYR-30004-BR43	3	3-1/2	1/4	.275 <sup>+0.015</sup> / <sub>+0.000</sub>	3.000 <sup>+0.000</sup> / <sub>-.002</sub>	3.500 <sup>+0.003</sup> / <sub>+0.000</sub>	32.68
DYR-35004-BR43	3-1/2	4	1/4	.275 <sup>+0.015</sup> / <sub>+0.000</sub>	3.500 <sup>+0.000</sup> / <sub>-.002</sub>	4.000 <sup>+0.003</sup> / <sub>+0.000</sub>	40.07

# STYLE KR ROD BUFFER SEALS

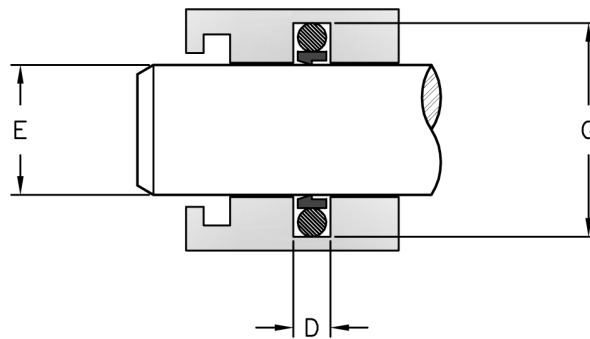
Molded in PTFE with a rubber energizer, this seal absorbs the shock of pressure spikes to protect the rod seal.



## HERCULES PART NUMBERS

**KR - 050 01**  
 Type of Seal    Nominal Seal ID    O-Ring Cross Section

SEAL INFORMATION	
MATERIAL	BRONZE FILLED PTFE SEAL RUBBER ENERGIZER
TEMPERATURE RANGE	-40° TO +220° F
PRESSURE RANGE	0 TO 5,000 PSI
SPEED	12 FT/SEC



Part Number	A Nom. ID	B Nom. OD	C Nom. Ht	D GROOVE WIDTH	E ROD DIAMETER	G HOUSING DIAMETER	List Price
KR-05001	1/2	.787	.122	.126 <sup>+010</sup> / <sub>+000</sub>	.500 <sup>+000</sup> / <sub>-.002</sub>	.787 <sup>+005</sup> / <sub>+000</sub>	\$ 4.95
KR-10001	1	1.287	.122	.126 <sup>+010</sup> / <sub>+000</sub>	1.000 <sup>+000</sup> / <sub>-.002</sub>	1.287 <sup>+005</sup> / <sub>+000</sub>	16.68
KR-10002	1	1.421	.155	.166 <sup>+010</sup> / <sub>+000</sub>	1.000 <sup>+000</sup> / <sub>-.003</sub>	1.421 <sup>+005</sup> / <sub>+000</sub>	8.51
KR-11201	1-1/8	1.407	.122	.126 <sup>+010</sup> / <sub>+000</sub>	1.120 <sup>+000</sup> / <sub>-.002</sub>	1.407 <sup>+005</sup> / <sub>+000</sub>	17.06
KR-12501	1-1/4	1.537	.122	.126 <sup>+010</sup> / <sub>+000</sub>	1.250 <sup>+000</sup> / <sub>-.002</sub>	1.537 <sup>+005</sup> / <sub>+000</sub>	19.86
KR-12502	1-1/4	1.671	.155	.166 <sup>+010</sup> / <sub>+000</sub>	1.250 <sup>+000</sup> / <sub>-.003</sub>	1.671 <sup>+005</sup> / <sub>+000</sub>	21.13
KR-13702	1-3/8	1.791	.155	.166 <sup>+010</sup> / <sub>+000</sub>	1.370 <sup>+000</sup> / <sub>-.003</sub>	1.791 <sup>+005</sup> / <sub>+000</sub>	23.06
KR-15001	1-1/2	1.787	.122	.126 <sup>+010</sup> / <sub>+000</sub>	1.500 <sup>+000</sup> / <sub>-.002</sub>	1.787 <sup>+005</sup> / <sub>+000</sub>	19.35
KR-15002	1-1/2	1.921	.155	.166 <sup>+010</sup> / <sub>+000</sub>	1.500 <sup>+000</sup> / <sub>-.003</sub>	1.921 <sup>+005</sup> / <sub>+000</sub>	23.06
KR-15003	1-1/2	2.094	.235	.247 <sup>+010</sup> / <sub>+000</sub>	1.500 <sup>+000</sup> / <sub>-.004</sub>	2.094 <sup>+005</sup> / <sub>+000</sub>	14.86
KR-17501	1-3/4	2.037	.122	.126 <sup>+010</sup> / <sub>+000</sub>	1.750 <sup>+000</sup> / <sub>-.002</sub>	2.037 <sup>+005</sup> / <sub>+000</sub>	39.21
KR-17502	1-3/4	2.171	.155	.166 <sup>+010</sup> / <sub>+000</sub>	1.750 <sup>+000</sup> / <sub>-.003</sub>	2.171 <sup>+005</sup> / <sub>+000</sub>	24.08
KR-17503	1-3/4	2.344	.235	.247 <sup>+010</sup> / <sub>+000</sub>	1.750 <sup>+000</sup> / <sub>-.004</sub>	2.344 <sup>+005</sup> / <sub>+000</sub>	24.63
KR-18702	1-7/8	2.291	.155	.166 <sup>+010</sup> / <sub>+000</sub>	1.870 <sup>+000</sup> / <sub>-.003</sub>	2.291 <sup>+005</sup> / <sub>+000</sub>	20.66
KR-20002	2	2.421	.155	.166 <sup>+010</sup> / <sub>+000</sub>	2.000 <sup>+000</sup> / <sub>-.003</sub>	2.421 <sup>+005</sup> / <sub>+000</sub>	25.91
KR-20003	2	2.594	.235	.247 <sup>+010</sup> / <sub>+000</sub>	2.000 <sup>+000</sup> / <sub>-.004</sub>	2.594 <sup>+005</sup> / <sub>+000</sub>	27.89

# STYLE KR ROD BUFFER SEALS

ROD BUFFER SEALS

Part Number	A Nom. ID	B Nom. OD	C Nom. Ht	D GROOVE WIDTH	E ROD DIAMETER	G HOUSING DIAMETER	List Price
KR-21202	2-1/8	2.541	.155	.166 <sup>+0.010</sup> / <sub>+0.000</sub>	2.120 <sup>+0.000</sup> / <sub>-.003</sub>	2.541 <sup>+0.005</sup> / <sub>+0.000</sub>	27.39
KR-22502	2-1/4	2.671	.155	.166 <sup>+0.010</sup> / <sub>+0.000</sub>	2.250 <sup>+0.000</sup> / <sub>-.003</sub>	2.671 <sup>+0.005</sup> / <sub>+0.000</sub>	28.97
KR-25002	2-1/2	2.921	.155	.166 <sup>+0.010</sup> / <sub>+0.000</sub>	2.500 <sup>+0.000</sup> / <sub>-.003</sub>	2.921 <sup>+0.005</sup> / <sub>+0.000</sub>	26.10
KR-25003	2-1/2	3.094	.235	.247 <sup>+0.010</sup> / <sub>+0.000</sub>	2.500 <sup>+0.000</sup> / <sub>-.004</sub>	3.094 <sup>+0.005</sup> / <sub>+0.000</sub>	36.15
KR-26203	2-5/8	3.214	.235	.247 <sup>+0.010</sup> / <sub>+0.000</sub>	2.620 <sup>+0.000</sup> / <sub>-.004</sub>	3.214 <sup>+0.005</sup> / <sub>+0.000</sub>	34.88
KR-27502	2-3/4	3.171	.155	.166 <sup>+0.010</sup> / <sub>+0.000</sub>	2.750 <sup>+0.000</sup> / <sub>-.003</sub>	3.171 <sup>+0.005</sup> / <sub>+0.000</sub>	30.62
KR-27503	2-3/4	3.344	.235	.247 <sup>+0.010</sup> / <sub>+0.000</sub>	2.750 <sup>+0.000</sup> / <sub>-.004</sub>	3.344 <sup>+0.005</sup> / <sub>+0.000</sub>	29.98
KR-30002	3	3.421	.155	.166 <sup>+0.010</sup> / <sub>+0.000</sub>	3.000 <sup>+0.000</sup> / <sub>-.003</sub>	3.421 <sup>+0.005</sup> / <sub>+0.000</sub>	33.97
KR-30003	3	3.594	.235	.247 <sup>+0.010</sup> / <sub>+0.000</sub>	3.000 <sup>+0.000</sup> / <sub>-.004</sub>	3.594 <sup>+0.005</sup> / <sub>+0.000</sub>	42.35
KR-32503	3-1/4	3.844	.235	.247 <sup>+0.010</sup> / <sub>+0.000</sub>	3.250 <sup>+0.000</sup> / <sub>-.004</sub>	3.844 <sup>+0.005</sup> / <sub>+0.000</sub>	42.74
KR-35003	3-1/2	4.094	.235	.247 <sup>+0.010</sup> / <sub>+0.000</sub>	3.500 <sup>+0.000</sup> / <sub>-.004</sub>	4.094 <sup>+0.005</sup> / <sub>+0.000</sub>	43.17
KR-37503	3-3/4	4.344	.235	.247 <sup>+0.010</sup> / <sub>+0.000</sub>	3.750 <sup>+0.000</sup> / <sub>-.004</sub>	4.344 <sup>+0.005</sup> / <sub>+0.000</sub>	56.24
KR-40002	4	4.421	.155	.166 <sup>+0.010</sup> / <sub>+0.000</sub>	4.000 <sup>+0.000</sup> / <sub>-.003</sub>	4.421 <sup>+0.005</sup> / <sub>+0.000</sub>	53.38
KR-40003	4	4.594	.235	.247 <sup>+0.010</sup> / <sub>+0.000</sub>	4.000 <sup>+0.000</sup> / <sub>-.004</sub>	4.594 <sup>+0.005</sup> / <sub>+0.000</sub>	59.51
KR-40004	4	4.807	.305	.320 <sup>+0.010</sup> / <sub>+0.000</sub>	4.000 <sup>+0.000</sup> / <sub>-.005</sub>	4.807 <sup>+0.005</sup> / <sub>+0.000</sub>	54.29
KR-45003	4-1/2	5.094	.235	.247 <sup>+0.010</sup> / <sub>+0.000</sub>	4.500 <sup>+0.000</sup> / <sub>-.004</sub>	5.094 <sup>+0.005</sup> / <sub>+0.000</sub>	73.96
KR-45004	4-1/2	5.307	.305	.320 <sup>+0.010</sup> / <sub>+0.000</sub>	4.500 <sup>+0.000</sup> / <sub>-.005</sub>	5.307 <sup>+0.005</sup> / <sub>+0.000</sub>	70.88
KR-47503	4-3/4	5.344	.235	.247 <sup>+0.010</sup> / <sub>+0.000</sub>	4.750 <sup>+0.000</sup> / <sub>-.004</sub>	5.344 <sup>+0.005</sup> / <sub>+0.000</sub>	76.37
KR-50003	5	5.594	.235	.247 <sup>+0.010</sup> / <sub>+0.000</sub>	5.000 <sup>+0.000</sup> / <sub>-.004</sub>	5.594 <sup>+0.005</sup> / <sub>+0.000</sub>	78.70
KR-50004	5	5.807	.305	.320 <sup>+0.010</sup> / <sub>+0.000</sub>	5.000 <sup>+0.000</sup> / <sub>-.005</sub>	5.807 <sup>+0.005</sup> / <sub>+0.000</sub>	79.23
KR-55003	5-1/2	6.094	.235	.247 <sup>+0.010</sup> / <sub>+0.000</sub>	5.500 <sup>+0.000</sup> / <sub>-.002</sub>	6.094 <sup>+0.005</sup> / <sub>+0.000</sub>	83.55
KR-55004	5-1/2	6.307	.305	.320 <sup>+0.010</sup> / <sub>+0.000</sub>	5.500 <sup>+0.000</sup> / <sub>-.005</sub>	6.307 <sup>+0.005</sup> / <sub>+0.000</sub>	83.58
KR-57504	5-3/4	6.557	.305	.320 <sup>+0.010</sup> / <sub>+0.000</sub>	5.750 <sup>+0.000</sup> / <sub>-.005</sub>	6.557 <sup>+0.005</sup> / <sub>+0.000</sub>	75.29
KR-60003	6	6.594	.235	.247 <sup>+0.010</sup> / <sub>+0.000</sub>	6.000 <sup>+0.000</sup> / <sub>-.004</sub>	6.594 <sup>+0.005</sup> / <sub>+0.000</sub>	72.25
KR-60004	6	6.807	.305	.320 <sup>+0.010</sup> / <sub>+0.000</sub>	6.000 <sup>+0.000</sup> / <sub>-.005</sub>	6.807 <sup>+0.005</sup> / <sub>+0.000</sub>	75.24
KR-65003	6-1/2	7.094	.235	.247 <sup>+0.010</sup> / <sub>+0.000</sub>	6.500 <sup>+0.000</sup> / <sub>-.004</sub>	7.094 <sup>+0.005</sup> / <sub>+0.000</sub>	37.63
KR-67504	6-3/4	7.557	.305	.320 <sup>+0.010</sup> / <sub>+0.000</sub>	6.750 <sup>+0.000</sup> / <sub>-.005</sub>	7.557 <sup>+0.005</sup> / <sub>+0.000</sub>	93.29
KR-70003	7	7.594	.235	.247 <sup>+0.010</sup> / <sub>+0.000</sub>	7.000 <sup>+0.000</sup> / <sub>-.004</sub>	7.594 <sup>+0.005</sup> / <sub>+0.000</sub>	86.49
KR-70004	7	7.807	.305	.320 <sup>+0.010</sup> / <sub>+0.000</sub>	7.000 <sup>+0.000</sup> / <sub>-.005</sub>	7.807 <sup>+0.005</sup> / <sub>+0.000</sub>	102.06
KR-90004	9	9.807	.305	.320 <sup>+0.010</sup> / <sub>+0.000</sub>	9.000 <sup>+0.000</sup> / <sub>-.005</sub>	9.807 <sup>+0.005</sup> / <sub>+0.000</sub>	103.80