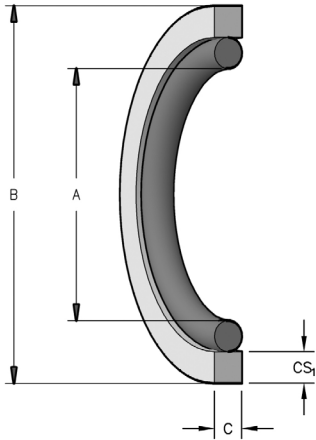
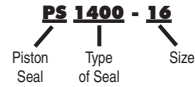


# STYLE PS1400 GLASS FILLED PTFE PISTON SEALS

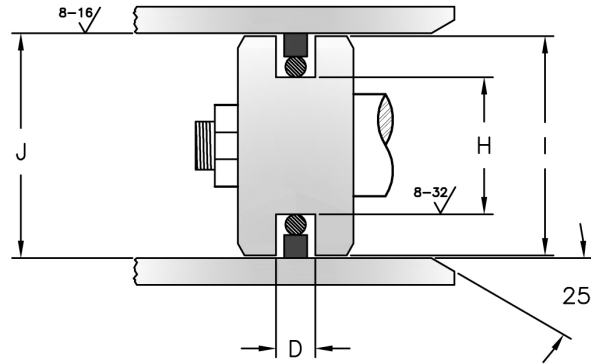
The PS1400 seals offer low friction and high strength in a compact double-acting piston seal design. The PTFE seal ring, combined with a rubber energizer, assures positive contact with the dynamic surface. The PS1400 is designed to fit ANSI/B93.32-1973 groove standards. Piston diameter "I" dimensions are given for pistons without wear rings.



## HERCULES PART NUMBERS



SEAL INFORMATION	
MATERIAL	15% GLASS FILLED PTFE SEAL RUBBER ENERGIZER
TEMPERATURE RANGE	-40° TO +220° F
PRESSURE RANGE	0 TO 5,000 PSI
SPEED	12 FT/SEC



Part Number	A Nom. ID	B Nom. OD	C Nom. Ht	C WIDTH	D GROOVE WIDTH	H GROOVE DIAMETER	I PISTON DIAMETER	J BORE DIAMETER	CS <sub>1</sub> RING CROSS SECTION	List Price
PS1400-16	.74	1	.07	.070 ±.005	.083 ±.002	.740 ±.002	.997 ±.001	1.000 <sup>+.002</sup> <sub>+.000</sub>	.070 ±.005	\$4.81
PS1400-18	.865	1-1/8	.07	.070 ±.005	.083 ±.002	.865 ±.002	1.122 ±.001	1.125 <sup>+.002</sup> <sub>+.000</sub>	.070 ±.005	6.42
PS1400-20	.99	1-1/4	.07	.070 ±.005	.083 ±.002	.990 ±.002	1.247 ±.001	1.250 <sup>+.002</sup> <sub>+.000</sub>	.070 ±.005	5.30
PS1400-22	1.115	1-3/8	.07	.070 ±.005	.083 ±.002	1.115 ±.002	1.372 ±.001	1.375 <sup>+.002</sup> <sub>+.000</sub>	.070 ±.005	8.95
PS1400-24	1.24	1-1/2	.07	.070 ±.005	.083 ±.002	1.240 ±.002	1.497 ±.001	1.500 <sup>+.002</sup> <sub>+.000</sub>	.070 ±.005	5.52
PS1400-26	1.233	1-5/8	.109	.109 ±.010	.122 ±.002	1.233 ±.002	1.622 ±.001	1.625 <sup>+.002</sup> <sub>+.000</sub>	.109 ±.010	5.62
PS1400-28	1.358	1-3/4	.109	.109 ±.010	.122 ±.002	1.358 ±.002	1.747 ±.001	1.750 <sup>+.002</sup> <sub>+.000</sub>	.109 ±.010	5.75
PS1400-30	1.483	1-7/8	.109	.109 ±.010	.122 ±.002	1.483 ±.002	1.872 ±.001	1.875 <sup>+.002</sup> <sub>+.000</sub>	.109 ±.010	11.19
PS1400-32	1.608	2	.115	.115 ±.010	.129 ±.002	1.608 ±.002	1.996 ±.001	2.000 <sup>+.002</sup> <sub>+.000</sub>	.115 ±.010	5.97
PS1400-34	1.733	2-1/8	.115	.115 ±.010	.129 ±.002	1.733 ±.002	2.121 ±.001	2.125 <sup>+.002</sup> <sub>+.000</sub>	.115 ±.010	11.19
PS1400-36	1.858	2-1/4	.115	.115 ±.010	.129 ±.002	1.858 ±.002	2.246 ±.001	2.250 <sup>+.002</sup> <sub>+.000</sub>	.115 ±.010	6.21
PS1400-38	1.983	2-3/8	.115	.115 ±.010	.129 ±.002	1.983 ±.002	2.371 ±.001	2.375 <sup>+.002</sup> <sub>+.000</sub>	.115 ±.010	6.27

# STYLE PS1400 GLASS FILLED PTFE PISTON SEALS

PISTON SEAL ASSEMBLIES

Part Number	A Nom. ID	B Nom. OD	C Nom. Ht	C WIDTH	D GROOVE WIDTH	H GROOVE DIAMETER	I PISTON DIAMETER	J BORE DIAMETER	CS <sub>1</sub> RING CROSS SECTION	List Price
PS1400-40	2.108	2-1/2	.115	.115 ±.010	.129 ±.002	2.108 ±.002	2.496 ±.001	2.500 <sup>+002</sup> / <sub>+000</sub>	.115 ±.010	6.28
PS1400-44	2.358	2-3/4	.115	.115 ±.010	.129 ±.002	2.358 ±.002	2.746 ±.001	2.750 <sup>+002</sup> / <sub>+000</sub>	.115 ±.010	6.34
PS1400-48	2.608	3	.115	.115 ±.010	.129 ±.002	2.608 ±.002	2.996 ±.001	3.000 <sup>+002</sup> / <sub>+000</sub>	.115 ±.010	6.52
PS1400-50	2.733	3-1/8	.115	.115 ±.010	.129 ±.002	2.733 ±.002	3.121 ±.001	3.125 <sup>+002</sup> / <sub>+000</sub>	.115 ±.010	23.75
PS1400-52	2.858	3-1/4	.115	.115 ±.010	.129 ±.002	2.858 ±.002	3.246 ±.001	3.250 <sup>+002</sup> / <sub>+000</sub>	.115 ±.010	6.63
PS1400-54	2.983	3-3/8	.115	.115 ±.010	.129 ±.002	2.983 ±.002	3.371 ±.001	3.375 <sup>+002</sup> / <sub>+000</sub>	.115 ±.010	12.26
PS1400-56	3.108	3-1/2	.115	.115 ±.010	.129 ±.002	3.108 ±.002	3.496 ±.001	3.500 <sup>+002</sup> / <sub>+000</sub>	.115 ±.010	6.81
PS1400-58	3.233	3-5/8	.115	.115 ±.010	.129 ±.002	3.233 ±.002	3.621 ±.001	3.625 <sup>+002</sup> / <sub>+000</sub>	.115 ±.010	12.60
PS1400-60	3.358	3-3/4	.115	.115 ±.010	.129 ±.002	3.358 ±.002	3.746 ±.001	3.750 <sup>+002</sup> / <sub>+000</sub>	.115 ±.010	7.39
PS1400-64	3.608	4	.115	.115 ±.010	.129 ±.002	3.608 ±.002	3.996 ±.001	4.000 <sup>+002</sup> / <sub>+000</sub>	.115 ±.010	7.52
PS1400-68	3.858	4-1/4	.115	.115 ±.010	.129 ±.002	3.858 ±.002	4.246 ±.001	4.250 <sup>+002</sup> / <sub>+000</sub>	.115 ±.010	7.67
PS1400-70.4	4.008	4.4	.115	.115 ±.010	.129 ±.002	4.008 ±.002	4.396 ±.001	4.400 <sup>+002</sup> / <sub>+000</sub>	.115 ±.010	24.45
PS1400-72	4.108	4-1/2	.115	.115 ±.010	.129 ±.002	4.108 ±.002	4.496 ±.001	4.500 <sup>+002</sup> / <sub>+000</sub>	.115 ±.010	8.39
PS1400-76	4.358	4-3/4	.115	.115 ±.010	.129 ±.002	4.358 ±.002	4.746 ±.001	4.750 <sup>+002</sup> / <sub>+000</sub>	.115 ±.010	13.05
PS1400-78	4.483	4-7/8	.115	.115 ±.010	.129 ±.002	4.483 ±.002	4.871 ±.001	4.875 <sup>+002</sup> / <sub>+000</sub>	.115 ±.010	24.64
PS1400-80	4.608	5	.115	.115 ±.010	.129 ±.002	4.608 ±.002	4.996 ±.001	5.000 <sup>+002</sup> / <sub>+000</sub>	.115 ±.010	9.37
PS1400-84	4.858	5-1/4	.115	.115 ±.010	.129 ±.002	4.858 ±.002	5.246 ±.001	5.250 <sup>+002</sup> / <sub>+000</sub>	.115 ±.010	10.03
PS1400-88	5.108	5-1/2	.115	.115 ±.010	.129 ±.002	5.108 ±.002	5.496 ±.001	5.500 <sup>+002</sup> / <sub>+000</sub>	.115 ±.010	10.31
PS1400-92	5.232	5-3/4	.143	.143 ±.010	.159 ±.002	5.232 ±.002	5.746 ±.001	5.750 <sup>+002</sup> / <sub>+000</sub>	.143 ±.010	10.96
PS1400-94	5.357	5-7/8	.143	.143 ±.010	.159 ±.002	5.357 ±.002	5.871 ±.001	5.875 <sup>+002</sup> / <sub>+000</sub>	.143 ±.010	28.05
PS1400-96	5.482	6	.143	.143 ±.010	.159 ±.002	5.482 ±.002	5.996 ±.001	6.000 <sup>+002</sup> / <sub>+000</sub>	.143 ±.010	11.51
PS1400-98	5.607	6-1/8	.143	.143 ±.010	.159 ±.002	5.607 ±.002	6.121 ±.001	6.125 <sup>+002</sup> / <sub>+000</sub>	.143 ±.010	24.60
PS1400-100	5.732	6-1/4	.143	.143 ±.010	.159 ±.002	5.732 ±.002	6.246 ±.001	6.250 <sup>+002</sup> / <sub>+000</sub>	.143 ±.010	12.27
PS1400-104	5.982	6-1/2	.143	.143 ±.010	.159 ±.002	5.982 ±.002	6.496 ±.001	6.500 <sup>+002</sup> / <sub>+000</sub>	.143 ±.010	14.62
PS1400-112	6.482	7	.143	.143 ±.010	.159 ±.002	6.482 ±.002	6.996 ±.001	7.000 <sup>+002</sup> / <sub>+000</sub>	.143 ±.010	15.00
PS1400-116	6.732	7-1/4	.143	.143 ±.010	.159 ±.002	6.732 ±.002	7.246 ±.001	7.250 <sup>+002</sup> / <sub>+000</sub>	.143 ±.010	15.00
PS1400-120	6.982	7-1/2	.143	.143 ±.010	.159 ±.002	6.982 ±.002	7.496 ±.001	7.500 <sup>+002</sup> / <sub>+000</sub>	.143 ±.010	15.02
PS1400-128	7.482	8	.143	.143 ±.010	.159 ±.002	7.482 ±.002	7.996 ±.001	8.000 <sup>+002</sup> / <sub>+000</sub>	.143 ±.010	15.26
PS1400-130	7.607	8-1/8	.143	.143 ±.010	.159 ±.002	7.607 ±.002	8.121 ±.001	8.125 <sup>+002</sup> / <sub>+000</sub>	.143 ±.010	33.66
PS1400-132	7.732	8-1/4	.143	.143 ±.010	.159 ±.002	7.732 ±.002	8.246 ±.001	8.250 <sup>+002</sup> / <sub>+000</sub>	.143 ±.010	38.06

# STYLE PS1400 GLASS FILLED PTFE PISTON SEALS

Part Number	A Nom. ID	B Nom. OD	C Nom. Ht	C WIDTH	D GROOVE WIDTH	H GROOVE DIAMETER	I PISTON DIAMETER	J BORE DIAMETER	CS <sub>1</sub> RING CROSS SECTION	List Price
PS1400-136	7.982	8-1/2	.143	.143 ±.010	.159 ±.002	7.982 ±.002	8.496 ±.001	8.500 <sup>+0.002</sup> / <sub>+0.000</sub>	.143 ±.010	43.13
PS1400-144	8.482	9	.143	.143 ±.010	.159 ±.002	8.482 ±.002	8.996 ±.001	9.000 <sup>+0.002</sup> / <sub>+0.000</sub>	.143 ±.010	45.32
PS1400-152	8.982	9-1/2	.143	.143 ±.010	.159 ±.002	8.982 ±.002	9.496 ±.001	9.500 <sup>+0.002</sup> / <sub>+0.000</sub>	.143 ±.010	58.43
PS1400-160	9.482	10	.143	.143 ±.010	.159 ±.002	9.482 ±.002	9.996 ±.001	10.000 <sup>+0.002</sup> / <sub>+0.000</sub>	.143 ±.010	64.01
PS1400-168	9.982	10-1/2	.143	.143 ±.010	.159 ±.002	9.982 ±.002	10.496 ±.001	10.500 <sup>+0.002</sup> / <sub>+0.000</sub>	.143 ±.010	81.80
PS1400-176	10.482	11	.143	.143 ±.010	.159 ±.002	10.482 ±.002	10.996 ±.001	11.000 <sup>+0.002</sup> / <sub>+0.000</sub>	.143 ±.010	88.57
PS1400-184	10.982	11-1/2	.143	.143 ±.010	.159 ±.002	10.982 ±.002	11.496 ±.001	11.500 <sup>+0.002</sup> / <sub>+0.000</sub>	.143 ±.010	90.76
PS1400-192	11.482	12	.143	.143 ±.010	.159 ±.002	11.482 ±.002	11.996 ±.001	12.000 <sup>+0.002</sup> / <sub>+0.000</sub>	.143 ±.010	94.10
PS1400-200	11.982	12-1/2	.143	.143 ±.010	.159 ±.002	11.982 ±.002	12.496 ±.001	12.500 <sup>+0.002</sup> / <sub>+0.000</sub>	.143 ±.010	99.10
PS1400-208	12.482	13	.143	.143 ±.010	.159 ±.002	12.482 ±.002	12.996 ±.001	13.000 <sup>+0.002</sup> / <sub>+0.000</sub>	.143 ±.010	121.10
PS1400-224	13.482	14	.143	.143 ±.010	.159 ±.002	13.482 ±.002	13.996 ±.001	14.000 <sup>+0.002</sup> / <sub>+0.000</sub>	.143 ±.010	176.28

## INSTALLATION OF PTFE PISTON SEALS

Installing PTFE piston seals is not always an easy task. The use of installation tools is recommended but often not convenient when working with a wide variety of sizes and applications. Finger installations are practical with rings of smaller cross-sections. Using fingers or a rounded plastic stick, knead the ring over the piston into the groove. With rings of larger cross-sections it may be necessary to heat the ring. Warming the ring in water or oil at 130° F or 140° F for about 5 minutes will soften the material for easier installation. Always avoid inconsistent stretching or overstretching of the PTFE seal.

To prevent the PTFE ring from snapping into the wrong groove, cover wear ring grooves with plastic tape.

After seal installation, assembly of the cylinder may be difficult if the piston seal is loose on the piston or the cylinder has an inadequate leading edge chamfer. In such cases, compress the piston seal with belting or a suitable hose clamp. If the piston seal must pass threads or any other sharp edges during the cylinder assembly, cover the edges with plastic tape or wrap.

Seal color may vary. Special order sizes are available. Sizes not shown and out of stock items can also be ordered for next day delivery through Seals On Demand, our custom seal program. Please call your regional sales team for assistance.