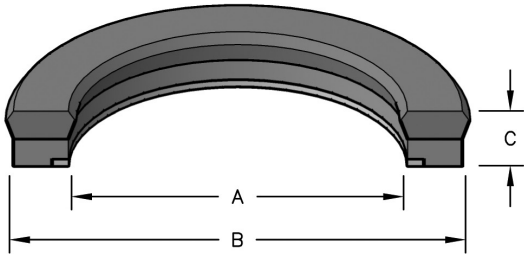


STYLE MUFN-EI ROD U-SEALS W/BACK-UP RINGS

Incorporating a rubber seal lip, a rubberized fabric heel, and an acetal back-up ring, this seal provides excellent sealability and high extrusion resistance.

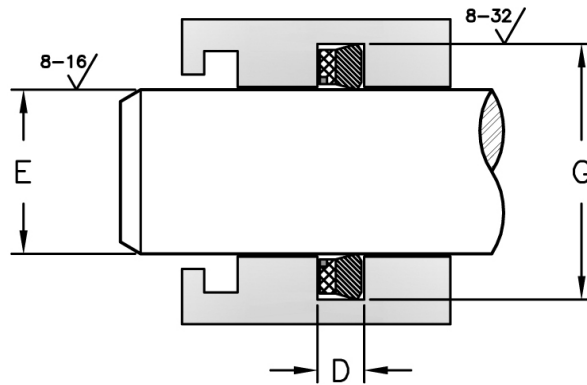


HERCULES PART NUMBERS

MUFN - 16 X 24 X 6.5EI

Type of Seal Inside Diameter Outside Diameter Height

SEAL INFORMATION	
MATERIAL	NBR 80 DURO SEAL NEO-FAB HEEL ACETAL ANTI-EXTRUSION RING
TEMPERATURE RANGE	-22° TO +212° F
PRESSURE RANGE	0 TO 6,000 PSI
SPEED	1.5 FT/SEC



Part Number	A Nom. ID	B Nom. OD	C Nom. Ht	D GROOVE WIDTH	E ROD DIAMETER	G HOUSING DIAMETER	List Price
MUFN-16X24X6.5EI	16	24	6.5	7.50 +0.20 +0.00	16.00 -0.016 -0.043	24.00 ±0.065	\$ 10.06
MUFN-20X28X6.5EI	20	28	6.5	7.50 +0.20 +0.00	20.00 -0.020 -0.053	28.00 ±0.065	9.58
MUFN-22X30X6.5EI	22	30	6.5	7.50 +0.20 +0.00	22.00 -0.020 -0.053	30.00 ±0.065	9.86
MUFN-22X35X9.5EI	22	35	9.5	10.50 +0.20 +0.00	22.00 -0.020 -0.053	35.00 ±0.08	11.01
MUFN-25X33X6EI	25	33	6	7.00 +0.20 +0.00	25.00 -0.020 -0.053	33.00 ±0.08	8.82
MUFN-25X33X6.5EI	25	33	6.5	7.50 +0.20 +0.00	25.00 -0.020 -0.053	33.00 ±0.08	9.86
MUFN-25X33X7EI	25	33	7	8.00 +0.20 +0.00	25.00 -0.020 -0.053	33.00 ±0.08	11.30
MUFN-25X35X7.5EI	25	35	7.5	8.50 +0.20 +0.00	25.00 -0.020 -0.053	35.00 ±0.08	8.63
MUFN-25X35X8EI	25	35	8	9.00 +0.20 +0.00	25.00 -0.020 -0.053	35.00 ±0.08	9.10
MUFN-25X37X10EI	25	37	10	11.00 +0.20 +0.00	25.00 -0.020 -0.053	37.00 ±0.08	10.51
MUFN-25X38X9.5EI	25	38	9.5	10.50 +0.20 +0.00	25.00 -0.020 -0.053	38.00 ±0.08	11.01
MUFN-28X38X7.5EI	28	38	8	9.00 +0.20 +0.00	28.00 -0.020 -0.053	38.00 ±0.08	10.51
MUFN-28X38X8EI	28	38	8	9.00 +0.20 +0.00	28.00 -0.020 -0.053	38.00 ±0.08	10.51
MUFN-28X40X9EI	28	40	9	10.00 +0.20 +0.00	28.00 -0.020 -0.053	40.00 ±0.08	9.30

STYLE MUFN-EI ROD U-SEALS W/BACK-UP RINGS

ROD U-SEALS

Part Number	A Nom. ID	B Nom. OD	C Nom. Ht	D GROOVE WIDTH	E ROD DIAMETER	G HOUSING DIAMETER	List Price
MUFN-30X38X6EI	30	38	6	7.00 ^{+0.20} / _{+0.00}	30.00 ^{-0.020} / _{-0.053}	38.00 ±0.08	9.30
MUFN-30X40X7EI	30	40	7	8.00 ^{+0.20} / _{+0.00}	30.00 ^{-0.020} / _{-0.053}	40.00 ±0.08	11.01
MUFN-30X40X10EI	30	40	10	11.00 ^{+0.20} / _{+0.00}	30.00 ^{-0.020} / _{-0.053}	40.00 ±0.08	10.83
MUFN-30X45X10.5EI	30	45	10.5	11.50 ^{+0.20} / _{+0.00}	30.00 ^{-0.020} / _{-0.053}	45.00 ±0.08	11.49
MUFN-32X40X8.5EI	32	40	8.5	9.50 ^{+0.20} / _{+0.00}	32.00 ^{-0.025} / _{-0.064}	40.00 ±0.08	11.49
MUFN-32X42X8EI	32	42	8	9.00 ^{+0.20} / _{+0.00}	32.00 ^{-0.025} / _{-0.064}	42.00 ±0.08	9.30
MUFN-32X45X9.5EI	32	45	9.5	10.50 ^{+0.20} / _{+0.00}	32.00 ^{-0.025} / _{-0.064}	45.00 ±0.08	10.51
MUFN-35X43X6EI	35	43	6	7.00 ^{+0.20} / _{+0.00}	35.00 ^{-0.025} / _{-0.064}	43.00 ±0.08	12.42
MUFN-35X45X6.5EI	35	45	6.5	7.50 ^{+0.20} / _{+0.00}	35.00 ^{-0.025} / _{-0.064}	45.00 ±0.08	11.49
MUFN-35X45X7.5EI	35	45	7.5	8.50 ^{+0.20} / _{+0.00}	35.00 ^{-0.025} / _{-0.064}	45.00 ±0.08	11.49
MUFN-35X45X10EI	35	45	10	11.00 ^{+0.20} / _{+0.00}	35.00 ^{-0.025} / _{-0.064}	45.00 ±0.08	11.15
MUFN-35X50X10.5EI	35	50	10.5	11.50 ^{+0.20} / _{+0.00}	35.00 ^{-0.025} / _{-0.064}	50.00 ±0.08	11.77
MUFN-36X43X6EI	36	43	6	7.00 ^{+0.20} / _{+0.00}	36.00 ^{-0.025} / _{-0.064}	43.00 ±0.08	17.92
MUFN-36X46X8EI	36	46	8	9.00 ^{+0.20} / _{+0.00}	36.00 ^{-0.025} / _{-0.064}	46.00 ±0.08	11.49
MUFN-36X48X9EI	36	48	9	10.00 ^{+0.20} / _{+0.00}	36.00 ^{-0.025} / _{-0.064}	48.00 ±0.08	11.64
MUFN-40X48X6EI	40	48	6	7.00 ^{+0.20} / _{+0.00}	40.00 ^{-0.025} / _{-0.064}	48.00 ±0.08	11.77
MUFN-40X50X7.5EI	40	50	7.5	8.50 ^{+0.20} / _{+0.00}	40.00 ^{-0.025} / _{-0.064}	50.00 ±0.08	10.71
MUFN-40X50X10EI	40	50	10	11.00 ^{+0.20} / _{+0.00}	40.00 ^{-0.025} / _{-0.064}	50.00 ±0.08	9.86
MUFN-40X50X10.5EI	40	50	10.5	11.50 ^{+0.20} / _{+0.00}	40.00 ^{-0.025} / _{-0.064}	50.00 ±0.08	11.96
MUFN-40X52X10.5EI	40	52	10.5	11.50 ^{+0.20} / _{+0.00}	40.00 ^{-0.025} / _{-0.064}	52.00 ±0.095	12.57
MUFN-40X55X10.5EI	40	55	10.5	11.50 ^{+0.20} / _{+0.00}	40.00 ^{-0.025} / _{-0.064}	55.00 ±0.095	11.64
MUFN-45X53X8EI	45	53	8	9.00 ^{+0.20} / _{+0.00}	45.00 ^{-0.025} / _{-0.064}	53.00 ±0.095	12.90
MUFN-45X53X10.5EI	45	53	10.5	11.50 ^{+0.20} / _{+0.00}	45.00 ^{-0.025} / _{-0.064}	53.00 ±0.095	13.21
MUFN-45X55X7.5EI	45	55	7.5	8.00 ^{+0.20} / _{+0.00}	45.00 ^{-0.025} / _{-0.064}	55.00 ±0.095	13.39
MUFN-45X55X10.5EI	45	55	10.5	11.50 ^{+0.20} / _{+0.00}	45.00 ^{-0.025} / _{-0.064}	55.00 ±0.095	13.21
MUFN-45X60X10EI	45	60	10	11.00 ^{+0.20} / _{+0.00}	45.00 ^{-0.025} / _{-0.064}	60.00 ±0.095	12.57
MUFN-45X60X10.5EI	45	60	10.5	11.50 ^{+0.20} / _{+0.00}	45.00 ^{-0.025} / _{-0.064}	60.00 ±0.095	13.21
MUFN-45X65X14EI	45	65	14	15.00 ^{+0.20} / _{+0.00}	45.00 ^{-0.025} / _{-0.064}	65.00 ±0.095	13.84
MUFN-48X60X10.5EI	48	60	10.5	11.50 ^{+0.20} / _{+0.00}	48.00 ^{-0.025} / _{-0.064}	60.00 ±0.095	13.39
MUFN-50X60X7.5EI	50	60	7.5	8.50 ^{+0.20} / _{+0.00}	50.00 ^{-0.025} / _{-0.064}	60.00 ±0.095	13.21
MUFN-50X60X9.5EI	50	60	9.5	10.50 ^{+0.20} / _{+0.00}	50.00 ^{-0.025} / _{-0.064}	60.00 ±0.095	19.31
MUFN-50X60X10EI	50	60	10	11.00 ^{+0.20} / _{+0.00}	50.00 ^{-0.025} / _{-0.064}	60.00 ±0.095	14.95
MUFN-50X62X9EI	50	62	9	10.00 ^{+0.20} / _{+0.00}	50.00 ^{-0.025} / _{-0.064}	62.00 ±0.095	13.39

STYLE MUFN-EI ROD U-SEALS W/BACK-UP RINGS

Part Number	A Nom. ID	B Nom. OD	C Nom. Ht	D GROOVE WIDTH	E ROD DIAMETER	G HOUSING DIAMETER	List Price
MUFN-50X62X9.5EI	50	62	9.5	10.50 ^{+0.20} / _{+0.00}	50.00 ^{-0.025} / _{-0.064}	62.00 ±0.095	13.39
MUFN-50X65X10.5EI	50	65	10.5	11.50 ^{+0.20} / _{+0.00}	50.00 ^{-0.025} / _{-0.064}	65.00 ±0.095	14.18
MUFN-50X65X11EI	50	65	11	12.00 ^{+0.20} / _{+0.00}	50.00 ^{-0.025} / _{-0.064}	65.00 ±0.095	22.33
MUFN-50X70X14EI	50	70	14	15.00 ^{+0.20} / _{+0.00}	50.00 ^{-0.025} / _{-0.064}	70.00 ±0.095	14.18
MUFN-55X65X7.5EI	55	65	7.5	8.50 ^{+0.20} / _{+0.00}	55.00 ^{-0.030} / _{-0.076}	65.00 ±0.095	12.17
MUFN-55X65X10.5EI	55	65	10.5	11.50 ^{+0.20} / _{+0.00}	55.00 ^{-0.030} / _{-0.076}	65.00 ±0.095	12.74
MUFN-55X70X10EI	55	70	10	11.00 ^{+0.20} / _{+0.00}	55.00 ^{-0.030} / _{-0.076}	70.00 ±0.095	13.97
MUFN-56X71X10EI	56	71	10	11.00 ^{+0.20} / _{+0.00}	56.00 ^{-0.030} / _{-0.076}	71.00 ±0.095	15.47
MUFN-56X71X12EI	56	71	12	13.00 ^{+0.20} / _{+0.00}	56.00 ^{-0.030} / _{-0.076}	71.00 ±0.095	17.45
MUFN-60X70X7.5EI	60	70	7.5	8.50 ^{+0.20} / _{+0.00}	60.00 ^{-0.030} / _{-0.076}	70.00 ±0.095	19.81
MUFN-60X70X9.5EI	60	70	9.5	10.50 ^{+0.20} / _{+0.00}	60.00 ^{-0.030} / _{-0.076}	70.00 ±0.095	14.76
MUFN-60X70X10.5EI	60	70	10.5	11.50 ^{+0.20} / _{+0.00}	60.00 ^{-0.030} / _{-0.076}	70.00 ±0.095	14.44
MUFN-60X70X12.5EI	60	70	12.5	13.50 ^{+0.20} / _{+0.00}	60.00 ^{-0.030} / _{-0.076}	70.00 ±0.095	14.33
MUFN-60X72X9.5EI	60	72	9.5	10.50 ^{+0.20} / _{+0.00}	60.00 ^{-0.030} / _{-0.076}	72.00 ±0.095	16.20
MUFN-60X75X12.5EI	60	75	12.5	13.50 ^{+0.20} / _{+0.00}	60.00 ^{-0.030} / _{-0.076}	75.00 ±0.095	16.20
MUFN-63X75X10EI	63	75	10	11.00 ^{+0.20} / _{+0.00}	63.00 ^{-0.030} / _{-0.076}	75.00 ±0.095	24.05
MUFN-63X78X12.5EI	63	78	12.5	13.50 ^{+0.20} / _{+0.00}	63.00 ^{-0.030} / _{-0.076}	78.00 ±0.095	19.17
MUFN-65X75X13EI	65	75	13	14.00 ^{+0.20} / _{+0.00}	65.00 ^{-0.030} / _{-0.076}	75.00 ±0.095	16.20
MUFN-65X85X14EI	65	85	14	15.00 ^{+0.20} / _{+0.00}	65.00 ^{-0.030} / _{-0.076}	85.00 ±0.11	18.24
MUFN-70X80X12.5EI	70	80	12.5	13.50 ^{+0.20} / _{+0.00}	70.00 ^{-0.030} / _{-0.076}	80.00 ±0.095	15.40
MUFN-70X84X12EI	70	84	12	13.00 ^{+0.20} / _{+0.00}	70.00 ^{-0.030} / _{-0.076}	84.00 ±0.11	16.71
MUFN-70X85X12EI	70	85	12	13.00 ^{+0.20} / _{+0.00}	70.00 ^{-0.030} / _{-0.076}	85.00 ±0.11	17.00
MUFN-70X90X14EI	70	90	14	15.00 ^{+0.20} / _{+0.00}	70.00 ^{-0.030} / _{-0.076}	90.00 ±0.11	18.53
MUFN-75X85X12EI	75	85	12	13.00 ^{+0.20} / _{+0.00}	75.00 ^{-0.030} / _{-0.076}	85.00 ±0.11	19.01
MUFN-80X95X10EI	80	95	10	11.00 ^{+0.20} / _{+0.00}	80.00 ^{-0.030} / _{-0.076}	95.00 ±0.11	21.07
MUFN-80X95X12.5EI	80	95	12.5	13.50 ^{+0.20} / _{+0.00}	80.00 ^{-0.030} / _{-0.076}	95.00 ±0.11	21.07
MUFN-80X96X10EI	80	96	10	11.00 ^{+0.20} / _{+0.00}	80.00 ^{-0.030} / _{-0.076}	96.00 ±0.11	21.69
MUFN-80X100X12EI	80	100	12	13.00 ^{+0.20} / _{+0.00}	80.00 ^{-0.030} / _{-0.076}	100.00 ±0.11	21.07
MUFN-80X100X14EI	80	100	14	15.00 ^{+0.20} / _{+0.00}	80.00 ^{-0.030} / _{-0.076}	100.00 ±0.11	21.55
MUFN-85X100X12EI	85	100	12	13.00 ^{+0.20} / _{+0.00}	85.00 ^{-0.036} / _{-0.090}	100.00 ±0.11	20.92
MUFN-90X100X10.5EI	90	100	10.5	11.50 ^{+0.20} / _{+0.00}	90.00 ^{-0.036} / _{-0.090}	100.00 ±0.11	21.07
MUFN-90X105X12EI	90	105	12	13.00 ^{+0.20} / _{+0.00}	90.00 ^{-0.036} / _{-0.090}	105.00 ±0.11	21.86
MUFN-90X110X12EI	90	110	12	13.00 ^{+0.20} / _{+0.00}	90.00 ^{-0.036} / _{-0.090}	110.00 ±0.11	21.55

ROD U-SEALS

STYLE MUFN-EI ROD U-SEALS W/BACK-UP RINGS

ROD U-SEALS

Part Number	A Nom. ID	B Nom. OD	C Nom. Ht	D GROOVE WIDTH	E ROD DIAMETER	G HOUSING DIAMETER	List Price
MUFN-90X110X14EI	90	110	14	15.00 +0.20 +0.00	90.00 -0.036 -0.090	110.00 ±0.11	23.58
MUFN-95X110X12EI	95	110	12	13.00 +0.20 +0.00	95.00 -0.036 -0.090	110.00 ±0.11	61.19
MUFN-100X115X12EI	100	115	12	13.00 +0.20 +0.00	100.00 -0.036 -0.090	115.00 ±0.11	25.47
MUFN-100X120X11.5EI	100	120	11.5	12.50 +0.20 +0.00	100.00 -0.036 -0.090	120.00 ±0.11	25.47
MUFN-100X120X12EI	100	120	12	13.00 +0.20 +0.00	100.00 -0.036 -0.090	120.00 ±0.11	22.17
MUFN-100X120X14EI	100	120	14	15.00 +0.20 +0.00	100.00 -0.036 -0.090	120.00 ±0.11	25.47
MUFN-105X115X10.5EI	105	115	10.5	11.50 +0.20 +0.00	105.00 -0.036 -0.090	115.00 ±0.11	24.53
MUFN-105X120X13EI	105	120	13	14.00 +0.20 +0.00	105.00 -0.036 -0.090	120.00 ±0.11	26.43
MUFN-110X125X11.5EI	110	125	11.5	12.50 +0.20 +0.00	110.00 -0.036 -0.090	125.00 ±0.125	28.31
MUFN-110X130X12EI	110	130	12	13.00 +0.20 +0.00	110.00 -0.036 -0.090	130.00 ±0.125	30.80
MUFN-125X150X14EI	125	150	14	15.00 +0.20 +0.00	125.00 -0.043 -0.106	150.00 ±0.125	35.35
MUFN-130X145X9EI	130	145	9	10.00 +0.20 +0.00	130.00 -0.043 -0.106	145.00 ±0.125	37.13
MUFN-140X160X11EI	140	160	11	12.00 +0.20 +0.00	140.00 -0.043 -0.106	160.00 ±0.125	76.31
MUFN-140X160X12EI	140	160	12	13.00 +0.20 +0.00	140.00 -0.043 -0.106	160.00 ±0.125	44.21
MUFN-150X170X13.5EI	150	170	13.5	14.50 +0.20 +0.00	150.00 -0.043 -0.106	170.00 ±0.125	26.55
MUFN-160X175X15EI	160	175	15	16.00 +0.20 +0.00	160.00 -0.043 -0.106	175.00 ±0.125	27.90
MUFN-160X180X14.5EI	160	180	14.5	15.50 +0.20 +0.00	160.00 -0.043 -0.106	180.00 ±0.125	59.08
MUFN-170X182.7X9EI	170	182.7	9	10.00 +0.20 +0.00	170.00 -0.043 -0.106	182.70 ±0.145	28.15