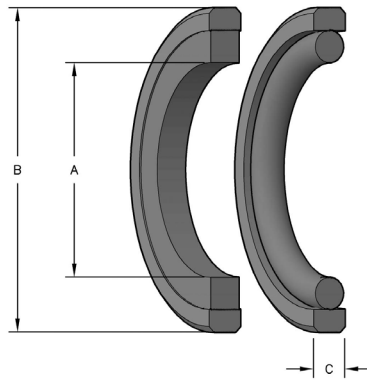


STYLE MPS TWO PIECE PISTON SEALS

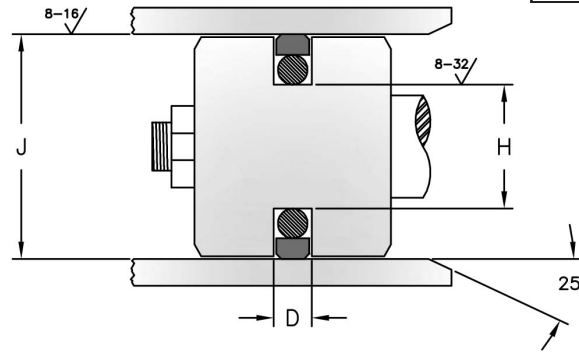
Molded from filled PTFE and machined to close tolerances, these seals feature low friction and excellent wear characteristics. Nitrile rings are used for energizers.



HERCULES PART NUMBERS

MPS - 12 X 2 X 1-B5
 Type of Seal | Bore Diameter | Seal Height | Cross Section

SEAL INFORMATION	
MATERIAL	PTFE PISTON SEAL 70A NITRILE ENERGIZER
TEMPERATURE RANGE	-40° TO +230° F
PRESSURE RANGE	0 TO 5,000 psi
SPEED	12 FT/SEC



PISTON SEAL ASSEMBLIES

Part Number	A Nom. ID	B Nom. OD	C Nom. Ht	D GROOVE WIDTH	H GROOVE DIAMETER	J BORE DIAMETER	List Price
MPS-12X2X1-B5	7.1	12	2	2.20 +0.20 +0.00	7.10 +0.000 -0.036	12.00 +0.043 +0.000	\$ 10.08
MPS-15X3X2-B5	7.5	15	3	3.20 +0.20 +0.00	7.50 +0.000 -0.036	15.00 +0.043 +0.000	11.73
MPS-16X2X1-B5	11.1	16	2	2.20 +0.20 +0.00	11.10 +0.000 -0.043	16.00 +0.043 +0.000	13.32
MPS-20X3X2-B5	12.5	20	3	3.20 +0.20 +0.00	12.50 +0.000 -0.043	20.00 +0.052 +0.000	13.32
MPS-22X3X2-B5	14.5	22	3	3.20 +0.20 +0.00	14.50 +0.000 -0.043	22.00 +0.052 +0.000	13.32
MPS-25X3X2-B5	17.5	25	3	3.20 +0.20 +0.00	17.50 +0.000 -0.043	25.00 +0.052 +0.000	13.32
MPS-28X3X2-B5	20.5	28	3	3.20 +0.20 +0.00	20.50 +0.000 -0.052	28.00 +0.052 +0.000	15.45
MPS-30X3X2-B5	22.5	30	3	3.20 +0.20 +0.00	22.50 +0.000 -0.052	30.00 +0.052 +0.000	15.45
MPS-30X2X1-B5	25.1	30	2	2.20 +0.20 +0.00	25.10 +0.000 -0.052	30.00 +0.052 +0.000	17.06
MPS-32X3X2	24.5	32	3	3.20 +0.20 +0.00	24.50 +0.000 -0.052	32.00 +0.062 +0.000	15.45
MPS-32X2X1-B5	27.1	32	2	2.20 +0.20 +0.00	27.10 +0.000 -0.052	32.00 +0.062 +0.000	21.45
MPS-35X25.5X4.5	25.5	35	4.3	4.50 +0.20 +0.00	25.50 +0.000 -0.052	35.00 +0.062 +0.000	4.32
MPS-35X3X2-B5	27.5	35	3	3.20 +0.20 +0.00	27.50 +0.000 -0.052	35.00 +0.062 +0.000	15.45
MPS-36X3X2-B5	28.5	36	3	3.20 +0.20 +0.00	28.50 +0.000 -0.052	36.00 +0.062 +0.000	18.72
MPS-40X6X3.5-B5	24.5	40	6	6.30 +0.20 +0.00	24.50 +0.000 -0.052	40.00 +0.062 +0.000	18.72
MPS-40X4X2.9-B5	29	40	4	4.20 +0.20 +0.00	29.00 +0.000 -0.052	40.00 +0.062 +0.000	18.72

STYLE MPS TWO PIECE PISTON SEALS

Part Number	A Nom. ID	B Nom. OD	C Nom. Ht	D GROOVE WIDTH	H GROOVE DIAMETER	J BORE DIAMETER	List Price
MPS-40X31.5X3.8	31.5	40	3.8	4.00 ^{+0.20} / _{+0.00}	31.50 ^{+0.00} / _{-0.20}	40.00 ^{+0.062} / _{+0.000}	17.27
MPS-40X3X2-B5	32.5	40	3	3.20 ^{+0.20} / _{+0.00}	32.50 ^{+0.000} / _{-0.062}	40.00 ^{+0.062} / _{+0.000}	18.72
MPS-42X4X2.9-B5	31	42	4	4.20 ^{+0.20} / _{+0.00}	31.00 ^{+0.000} / _{-0.062}	42.00 ^{+0.062} / _{+0.000}	22.74
MPS-45X4X2.9-B5	34	45	4	4.20 ^{+0.20} / _{+0.00}	34.00 ^{+0.000} / _{-0.062}	45.00 ^{+0.062} / _{+0.000}	18.72
MPS-45X4.3X2	35	45	4.3	4.50 ^{+0.20} / _{+0.00}	35.00 ^{+0.000} / _{-0.062}	45.00 ^{+0.062} / _{+0.000}	18.70
MPS-45X3.8X1.5	36.4	45	3.8	4.20 ^{+0.20} / _{+0.00}	36.40 ^{+0.000} / _{-0.062}	45.00 ^{+0.062} / _{+0.000}	15.46
MPS-45X4.4X1.2	37.1	45	4.4	4.60 ^{+0.20} / _{+0.00}	37.10 ^{+0.000} / _{-0.062}	45.00 ^{+0.062} / _{+0.000}	17.71
MPS-48X4X2.9-B5	37	48	4	4.20 ^{+0.20} / _{+0.00}	37.00 ^{+0.000} / _{-0.062}	48.00 ^{+0.062} / _{+0.000}	29.60
MPS-50X6X3.5	34.5	50	6	6.30 ^{+0.20} / _{+0.00}	34.50 ^{+0.000} / _{-0.062}	50.00 ^{+0.062} / _{+0.000}	32.30
MPS-50X4X2.9-B5	39	50	4	4.20 ^{+0.20} / _{+0.00}	39.00 ^{+0.000} / _{-0.062}	50.00 ^{+0.062} / _{+0.000}	18.72
MPS-50X4X2.5	40	50	4	4.20 ^{+0.20} / _{+0.00}	40.00 ^{+0.000} / _{-0.062}	50.00 ^{+0.062} / _{+0.000}	17.85
MPS-50X4.3X2	40	50	4.3	4.50 ^{+0.20} / _{+0.00}	40.00 ^{+0.000} / _{-0.062}	50.00 ^{+0.062} / _{+0.000}	29.89
MPS-50X2.7X2.5	41.3	50	2.7	2.90 ^{+0.20} / _{+0.00}	41.30 ^{+0.000} / _{-0.062}	50.00 ^{+0.062} / _{+0.000}	16.89
MPS-50X3.8X1.5	41.5	50	3.8	4.20 ^{+0.20} / _{+0.00}	41.50 ^{+0.000} / _{-0.062}	50.00 ^{+0.062} / _{+0.000}	21.48
MPS-50X4.4X1.2	42.1	50	4.4	4.60 ^{+0.20} / _{+0.00}	42.10 ^{+0.000} / _{-0.062}	50.00 ^{+0.062} / _{+0.000}	23.76
MPS-50X3X2-B5	42.2	50	3	3.20 ^{+0.20} / _{+0.00}	42.20 ^{+0.000} / _{-0.062}	50.00 ^{+0.062} / _{+0.000}	29.60
MPS-52X4X2.9-B5	41	52	4	4.20 ^{+0.20} / _{+0.00}	41.00 ^{+0.000} / _{-0.062}	52.00 ^{+0.074} / _{+0.000}	27.64
MPS-53X4X2.5	42.5	53	4	4.20 ^{+0.20} / _{+0.00}	42.50 ^{+0.000} / _{-0.062}	53.00 ^{+0.074} / _{+0.000}	27.63
MPS-55X6X3.5	39.5	55	6	6.30 ^{+0.20} / _{+0.00}	39.50 ^{+0.000} / _{-0.062}	55.00 ^{+0.074} / _{+0.000}	35.22
MPS-55X4X2.9-B5	44	55	4	4.20 ^{+0.20} / _{+0.00}	44.00 ^{+0.000} / _{-0.062}	55.00 ^{+0.074} / _{+0.000}	32.03
MPS-55X4.3X2	45	55	4.3	4.50 ^{+0.20} / _{+0.00}	45.00 ^{+0.000} / _{-0.062}	55.00 ^{+0.074} / _{+0.000}	29.89
MPS-56X4X2.9-B5	45.5	56	4	4.20 ^{+0.20} / _{+0.00}	45.50 ^{+0.000} / _{-0.062}	56.00 ^{+0.074} / _{+0.000}	34.16
MPS-60X6X3.5	44.5	60	6	6.30 ^{+0.20} / _{+0.00}	44.50 ^{+0.000} / _{-0.062}	60.00 ^{+0.074} / _{+0.000}	35.32
MPS-60X7X2.5	45.8	60	7	7.20 ^{+0.20} / _{+0.00}	45.80 ^{+0.000} / _{-0.062}	60.00 ^{+0.074} / _{+0.000}	8.88
MPS-60X4X2.9-B5	49	60	3.9	4.20 ^{+0.20} / _{+0.00}	49.00 ^{+0.000} / _{-0.062}	60.00 ^{+0.074} / _{+0.000}	18.72
MPS-60X4.9X2.5	49.5	60	4.9	5.10 ^{+0.20} / _{+0.00}	49.50 ^{+0.000} / _{-0.062}	60.00 ^{+0.074} / _{+0.000}	25.53
MPS-60X3.8X2	51.1	60	3.8	4.20 ^{+0.20} / _{+0.00}	51.10 ^{+0.000} / _{-0.074}	60.00 ^{+0.074} / _{+0.000}	21.01
MPS-60X3.7X1.5	52.1	60	3.7	4.00 ^{+0.20} / _{+0.00}	52.10 ^{+0.000} / _{-0.074}	60.00 ^{+0.074} / _{+0.000}	13.06
MPS-60X4.4X1.3	52.5	60	4.4	4.60 ^{+0.20} / _{+0.00}	52.50 ^{+0.000} / _{-0.074}	60.00 ^{+0.074} / _{+0.000}	29.26
MPS-63X6X3.5	47.5	63	6	6.30 ^{+0.20} / _{+0.00}	47.50 ^{+0.000} / _{-0.062}	63.00 ^{+0.074} / _{+0.000}	35.32
MPS-63X47.5X6.3	47.5	63	6.3	6.50 ^{+0.20} / _{+0.00}	47.50 ^{+0.000} / _{-0.062}	63.00 ^{+0.074} / _{+0.000}	18.01
MPS-63X7.3X2.5	48	63	7.3	7.50 ^{+0.20} / _{+0.00}	48.00 ^{+0.000} / _{-0.062}	63.00 ^{+0.074} / _{+0.000}	35.67
MPS-63X5X1	51.8	63	5	5.20 ^{+0.20} / _{+0.00}	51.80 ^{+0.000} / _{-0.074}	63.00 ^{+0.074} / _{+0.000}	42.28

STYLE MPS TWO PIECE PISTON SEALS

PISTON SEAL ASSEMBLIES

Part Number	A Nom. ID	B Nom. OD	C Nom. Ht	D GROOVE WIDTH	H GROOVE DIAMETER	J BORE DIAMETER	List Price
MPS-63X4X2.9-B5	52	63	4	4.20 ^{+0.20} / _{+0.00}	52.00 ^{+0.000} / _{-0.074}	63.00 ^{+0.074} / _{+0.000}	18.72
MPS-63X53X5	53	63	5	5.20 ^{+0.20} / _{+0.00}	53.00 ^{+0.000} / _{-0.074}	63.00 ^{+0.074} / _{+0.000}	24.32
MPS-65X6X3.5	49.5	65	6	6.30 ^{+0.20} / _{+0.00}	49.50 ^{+0.000} / _{-0.062}	65.00 ^{+0.074} / _{+0.000}	36.04
MPS-65X7.3X2.5	50	65	7.3	7.50 ^{+0.20} / _{+0.00}	50.00 ^{+0.000} / _{-0.062}	65.00 ^{+0.074} / _{+0.000}	22.42
MPS-65X4X2.9-B5	54	65	4	4.20 ^{+0.20} / _{+0.00}	54.00 ^{+0.000} / _{-0.074}	65.00 ^{+0.074} / _{+0.000}	48.77
MPS-70X6X3.5	54.5	70	6	6.30 ^{+0.20} / _{+0.00}	54.50 ^{+0.000} / _{-0.074}	70.00 ^{+0.074} / _{+0.000}	37.65
MPS-70X6.2X2.5	55.9	70	6.2	6.50 ^{+0.20} / _{+0.00}	55.90 ^{+0.000} / _{-0.074}	70.00 ^{+0.074} / _{+0.000}	25.01
MPS-70X7X2.5	56.4	70	7	7.20 ^{+0.20} / _{+0.00}	56.40 ^{+0.000} / _{-0.074}	70.00 ^{+0.074} / _{+0.000}	9.99
MPS-70X4X2.9	59	70	4	4.20 ^{+0.20} / _{+0.00}	59.00 ^{+0.000} / _{-0.074}	70.00 ^{+0.074} / _{+0.000}	19.50
MPS-70X4X2.5	60	70	4	4.20 ^{+0.20} / _{+0.00}	60.00 ^{+0.000} / _{-0.074}	70.00 ^{+0.074} / _{+0.000}	35.81
MPS-70X4X1.8	61.7	70	4	4.20 ^{+0.20} / _{+0.00}	61.70 ^{+0.000} / _{-0.074}	70.00 ^{+0.074} / _{+0.000}	22.76
MPS-71X7.3X2.5	56	71	7.3	7.50 ^{+0.20} / _{+0.00}	56.00 ^{+0.000} / _{-0.074}	71.00 ^{+0.074} / _{+0.000}	28.82
MPS-75X6X3.5	59	75	6	6.30 ^{+0.20} / _{+0.00}	59.50 ^{+0.000} / _{-0.074}	75.00 ^{+0.074} / _{+0.000}	37.12
MPS-75X7.3X2.5	60	75	7.3	7.50 ^{+0.20} / _{+0.00}	60.00 ^{+0.000} / _{-0.074}	75.00 ^{+0.074} / _{+0.000}	24.07
MPS-75X6.2X2.5	60.9	75	6.2	6.50 ^{+0.20} / _{+0.00}	60.90 ^{+0.000} / _{-0.074}	75.00 ^{+0.074} / _{+0.000}	32.42
MPS-75X4X2.9-B5	64	75	4	4.20 ^{+0.20} / _{+0.00}	64.00 ^{+0.000} / _{-0.074}	75.00 ^{+0.074} / _{+0.000}	20.32
MPS-80X7.9X5	59	80	7.9	8.10 ^{+0.20} / _{+0.00}	59.00 ^{+0.000} / _{-0.074}	80.00 ^{+0.074} / _{+0.000}	45.43
MPS-80X6X3.5	64.5	80	6	6.30 ^{+0.20} / _{+0.00}	64.50 ^{+0.000} / _{-0.074}	80.00 ^{+0.074} / _{+0.000}	38.37
MPS-80X7X2.5	65.8	80	7	7.20 ^{+0.20} / _{+0.00}	65.80 ^{+0.000} / _{-0.074}	80.00 ^{+0.074} / _{+0.000}	11.97
MPS-80X6.2X2.5	65.9	80	6.2	6.50 ^{+0.20} / _{+0.00}	65.90 ^{+0.000} / _{-0.074}	80.00 ^{+0.074} / _{+0.000}	37.03
MPS-80X7.3X2.5	66	80	7.3	7.50 ^{+0.20} / _{+0.00}	66.00 ^{+0.000} / _{-0.074}	80.00 ^{+0.074} / _{+0.000}	41.49
MPS-80X4X2.9-B5	69	80	4	4.20 ^{+0.20} / _{+0.00}	69.00 ^{+0.000} / _{-0.074}	80.00 ^{+0.074} / _{+0.000}	31.68
MPS-85X7.9X5	64	85	7.9	8.10 ^{+0.20} / _{+0.00}	64.00 ^{+0.000} / _{-0.074}	85.00 ^{+0.087} / _{+0.000}	46.42
MPS-85X6X3.5	69.5	85	6	6.30 ^{+0.20} / _{+0.00}	69.50 ^{+0.000} / _{-0.074}	85.00 ^{+0.087} / _{+0.000}	39.46
MPS-85X70X7.3	70	85	7.3	7.60 ^{+0.20} / _{+0.00}	70.00 ^{+0.000} / _{-0.074}	85.00 ^{+0.087} / _{+0.000}	34.29
MPS-90X7.9X5	69	90	7.9	8.10 ^{+0.20} / _{+0.00}	69.00 ^{+0.000} / _{-0.074}	90.00 ^{+0.087} / _{+0.000}	51.48
MPS-90X6X3.5	74.5	90	6	6.30 ^{+0.20} / _{+0.00}	74.50 ^{+0.000} / _{-0.074}	90.00 ^{+0.087} / _{+0.000}	41.67
MPS-90X7.3X2.5	75	90	7.3	7.50 ^{+0.20} / _{+0.00}	75.00 ^{+0.000} / _{-0.074}	90.00 ^{+0.087} / _{+0.000}	48.45
MPS-90X7X2.5	75.8	90	7	7.20 ^{+0.20} / _{+0.00}	75.80 ^{+0.000} / _{-0.074}	90.00 ^{+0.087} / _{+0.000}	12.51
MPS-90X6X2.5	79	90	6	6.30 ^{+0.20} / _{+0.00}	79.00 ^{+0.000} / _{-0.074}	90.00 ^{+0.087} / _{+0.000}	11.12
MPS-95X7.9X5	74	95	7.9	8.10 ^{+0.20} / _{+0.00}	74.00 ^{+0.000} / _{-0.074}	95.00 ^{+0.087} / _{+0.000}	53.71
MPS-95X6X3.5	79.5	95	6	6.30 ^{+0.20} / _{+0.00}	79.50 ^{+0.000} / _{-0.074}	95.00 ^{+0.087} / _{+0.000}	46.42
MPS-100X7.9X5	79	100	7.9	8.10 ^{+0.20} / _{+0.00}	79.00 ^{+0.000} / _{-0.074}	100.00 ^{+0.087} / _{+0.000}	53.24

STYLE MPS TWO PIECE PISTON SEALS

Part Number	A Nom. ID	B Nom. OD	C Nom. Ht	D GROOVE WIDTH	H GROOVE DIAMETER	J BORE DIAMETER	List Price
MPS-100X6X3.5	84.5	100	6	6.30 ^{+0.20} / _{+0.00}	84.50 ^{+0.000} / _{-0.087}	100.00 ^{+0.087} / _{+0.000}	38.91
MPS-100X6.2X2.4-B4	84.8	100	6.2	6.40 ^{+0.20} / _{+0.00}	84.80 ^{+0.000} / _{-0.087}	100.00 ^{+0.087} / _{+0.000}	45.70
MPS-100X85X7.5	85	100	7.3	7.50 ^{+0.20} / _{+0.00}	85.00 ^{+0.000} / _{-0.087}	100.00 ^{+0.087} / _{+0.000}	30.50
MPS-100X7X2.5	86.6	100	7	7.20 ^{+0.20} / _{+0.00}	86.60 ^{+0.000} / _{-0.087}	100.00 ^{+0.087} / _{+0.000}	21.19
MPS-105X7.9X5	84	105	7.9	8.10 ^{+0.20} / _{+0.00}	84.00 ^{+0.000} / _{-0.087}	105.00 ^{+0.087} / _{+0.000}	52.35
MPS-105X6X3.5	89.5	105	6	6.30 ^{+0.20} / _{+0.00}	89.50 ^{+0.000} / _{-0.087}	105.00 ^{+0.087} / _{+0.000}	43.16
MPS-105X7.29X3.23	89.8	105	7.29	7.60 ^{+0.20} / _{+0.00}	89.80 ^{+0.000} / _{-0.087}	105.00 ^{+0.087} / _{+0.000}	62.72
MPS-110X7.9X5	89	110	7.9	8.10 ^{+0.20} / _{+0.00}	89.00 ^{+0.000} / _{-0.087}	110.00 ^{+0.087} / _{+0.000}	57.16
MPS-110X6X3.5	94.5	110	6	6.30 ^{+0.20} / _{+0.00}	94.50 ^{+0.000} / _{-0.087}	110.00 ^{+0.087} / _{+0.000}	43.40
MPS-110X7X2.5	95.8	110	7	7.20 ^{+0.20} / _{+0.00}	95.80 ^{+0.000} / _{-0.087}	110.00 ^{+0.087} / _{+0.000}	14.86
MPS-115X7.9X5	94	115	7.9	8.10 ^{+0.20} / _{+0.00}	94.00 ^{+0.000} / _{-0.087}	115.00 ^{+0.087} / _{+0.000}	58.53
MPS-115X6X3.5	99.5	115	6	6.30 ^{+0.20} / _{+0.00}	99.50 ^{+0.000} / _{-0.087}	115.00 ^{+0.087} / _{+0.000}	45.96
MPS-115X7X2.5	100.8	115	7	7.20 ^{+0.20} / _{+0.00}	100.80 ^{+0.000} / _{-0.087}	115.00 ^{+0.087} / _{+0.000}	28.28
MPS-120X7.9X5	99	120	7.9	8.10 ^{+0.20} / _{+0.00}	99.00 ^{+0.000} / _{-0.087}	120.00 ^{+0.087} / _{+0.000}	58.53
MPS-120X6X3.5	104.5	120	6	6.30 ^{+0.20} / _{+0.00}	104.50 ^{+0.000} / _{-0.087}	120.00 ^{+0.087} / _{+0.000}	46.96
MPS-125X7.9X5	104	125	7.9	8.10 ^{+0.20} / _{+0.00}	104.00 ^{+0.000} / _{-0.087}	125.00 ^{+0.10} / _{+0.00}	58.53
MPS-125X6X3.5	109.5	125	6	6.30 ^{+0.20} / _{+0.00}	109.50 ^{+0.000} / _{-0.087}	125.00 ^{+0.10} / _{+0.00}	48.45
MPS-125X7X2.5	110.8	125	7	7.20 ^{+0.20} / _{+0.00}	110.80 ^{+0.000} / _{-0.087}	125.00 ^{+0.10} / _{+0.00}	31.92
MPS-130X7.9X5	109	130	7.9	8.10 ^{+0.20} / _{+0.00}	109.00 ^{+0.000} / _{-0.087}	130.00 ^{+0.10} / _{+0.00}	60.56
MPS-130X6X3.5	114.5	130	6	6.30 ^{+0.20} / _{+0.00}	114.50 ^{+0.000} / _{-0.087}	130.00 ^{+0.10} / _{+0.00}	51.80
MPS-135X7.9X5	114	135	7.9	8.10 ^{+0.20} / _{+0.00}	114.00 ^{+0.000} / _{-0.087}	135.00 ^{+0.10} / _{+0.00}	68.40
MPS-140X7.9X5	119	140	7.9	8.10 ^{+0.20} / _{+0.00}	119.00 ^{+0.000} / _{-0.087}	140.00 ^{+0.10} / _{+0.00}	69.15
MPS-145X7.9X5	124	145	7.9	8.10 ^{+0.20} / _{+0.00}	124.00 ^{+0.00} / _{-0.10}	145.00 ^{+0.10} / _{+0.00}	71.01
MPS-150X7.9X5	129	150	7.9	8.10 ^{+0.20} / _{+0.00}	129.00 ^{+0.00} / _{-0.10}	150.00 ^{+0.10} / _{+0.00}	74.34
MPS-155X7.9X5	134	155	7.9	8.10 ^{+0.20} / _{+0.00}	134.00 ^{+0.00} / _{-0.10}	155.00 ^{+0.10} / _{+0.00}	76.05
MPS-160X7.9X5	139	160	7.9	8.10 ^{+0.20} / _{+0.00}	139.00 ^{+0.00} / _{-0.10}	160.00 ^{+0.10} / _{+0.00}	81.17
MPS-160X8.9X3.5	140.5	160	8.9	9.10 ^{+0.20} / _{+0.00}	140.50 ^{+0.00} / _{-0.10}	160.00 ^{+0.10} / _{+0.00}	81.17
MPS-160X145X7.55	145	160	7.3	7.50 ^{+0.20} / _{+0.00}	145.00 ^{+0.00} / _{-0.10}	160.00 ^{+0.10} / _{+0.00}	46.90
MPS-165X7.9X5	144	165	7.9	8.10 ^{+0.20} / _{+0.00}	144.00 ^{+0.00} / _{-0.10}	165.00 ^{+0.10} / _{+0.00}	89.70
MPS-170X7.9X5	149	170	7.9	8.10 ^{+0.20} / _{+0.00}	149.00 ^{+0.00} / _{-0.10}	170.00 ^{+0.10} / _{+0.00}	92.23
MPS-180X7.9X5	159	180	7.9	8.10 ^{+0.20} / _{+0.00}	159.00 ^{+0.00} / _{-0.10}	180.00 ^{+0.10} / _{+0.00}	100.78
MPS-190X7.9X5	169	190	7.9	8.10 ^{+0.20} / _{+0.00}	169.00 ^{+0.00} / _{-0.10}	190.00 ^{+0.115} / _{+0.000}	104.95
MPS-200X7.9X5	179	200	7.9	8.10 ^{+0.20} / _{+0.00}	179.00 ^{+0.00} / _{-0.10}	200.00 ^{+0.115} / _{+0.000}	108.11

STYLE MPS TWO PIECE PISTON SEALS

Part Number	A Nom. ID	B Nom. OD	C Nom. Ht	D GROOVE WIDTH	H GROOVE DIAMETER	J BORE DIAMETER	List Price
MPS-215X7.9X5	194	215	7.9	8.10 ^{+0.20} / _{+0.00}	194.00 ^{+0.000} / _{-0.115}	215.00 ^{+0.115} / _{+0.000}	110.03
MPS-220X7.9X5-B5	199	220	7.9	8.10 ^{+0.20} / _{+0.00}	199.00 ^{+0.000} / _{-0.115}	220.00 ^{+0.115} / _{+0.000}	120.77
MPS-225X7.9X5	204	225	7.9	8.10 ^{+0.20} / _{+0.00}	204.00 ^{+0.000} / _{-0.115}	225.00 ^{+0.115} / _{+0.000}	120.77
MPS-230X7.9X5-B5	209	230	7.9	8.10 ^{+0.20} / _{+0.00}	209.00 ^{+0.000} / _{-0.115}	230.00 ^{+0.115} / _{+0.000}	381.66
MPS-240X7.9X5	219	240	7.9	8.10 ^{+0.20} / _{+0.00}	219.00 ^{+0.000} / _{-0.115}	240.00 ^{+0.115} / _{+0.000}	123.12
MPS-250X7.9X5	229	250	7.9	8.10 ^{+0.20} / _{+0.00}	229.00 ^{+0.000} / _{-0.115}	250.00 ^{+0.115} / _{+0.000}	381.28
MPS-320X299X8.1	299	320	7.9	8.10 ^{+0.20} / _{+0.00}	299.00 ^{+0.00} / _{-0.13}	320.00 ^{+0.14} / _{+0.00}	289.17

Seal color may vary. Special order sizes are available. Sizes not shown and out of stock items can also be ordered for next day delivery through Seals On Demand, our custom seal program. Please call your regional sales team for assistance.